

# access

L I G H T I N G

## INSTALLATION INSTRUCTIONS

### IMPORTANT SAFETY INSTRUCTIONS

#### MESURES DE SECURITE A RESPECTURE

Before assembling your ACCESS LIGHTING fixture, please make sure that you carefully read through this instruction sheet. Save this instruction sheet and refer to it when additions to or changes in the fixture configuration are made.

Lisez attentivement ce manuel d'instructions. Enregistrer cette feuille d'instructions et de s'y référer lorsque les ajouts ou changements dans la configuration de montage sont faites.

CONSULT A QUALIFIED ELECTRICIAN TO ENSURE CORRECT BRANCH CIRCUIT CONDUCTOR.

CONSULTER UN ELECTRICIEN QUALIFIE POUR VOUS ASSURER QUE LES CONDUCTEURS DE LA DERIVATION SONT ADEQUATS

THIS PRODUCT MUST BE INSTALLED IN ACCORDANCE WITH THE APPLICABLE INSTALLATION CODE BY A PERSON FAMILIAR WITH THE CONSTRUCTION AND OPERATION OF THE PRODUCT AND THE HAZARDS INVOLVED.

CE PRODUIT DOIT ETRE INSTALLE SELON LE CODE D'INSTALLATION PERTINENT, PAR UNE PERSONNE QUI CONNAIT BIEN LE PRODUIT ET SON FONCTIONNEMENT AINSI QUE LES RISQUES INHERENTS

**NOTE:** The important safeguards and instructions that appear in this manual are not meant to cover all possible conditions and situations that may occur. It must be understood that common sense, caution and care, are factors that can't be built into any product. These factors must be supplied by the person(s) caring for and operating the fixture. Read all instructions

Do not install this fixture in hazardous locations.

N'installez pas cet appareil dans des emplacements dangereux.

Do not install any fixture assembly closer than 6 inches from any curtain or similar combustible material.

Laisser une distance d'au moins 6 pouces entre ce luminaire et la toute surface combustible.

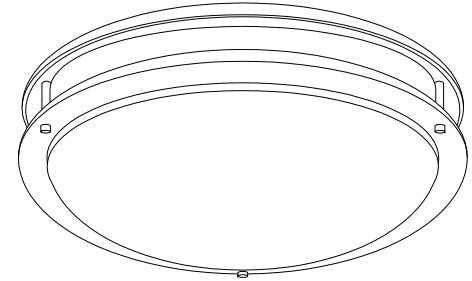
"WARNING Risk of Fire and Electric Shock."

"CAUTION: Risque d' Incendie et de Choc Electriques."

### GENERAL INFORMATION

All electrical connections must be in accordance with all ordinances, Local and the U.S. National Electrical Codes (NEC). These fixtures are intended for mounting to a standard 4" metal octagon outlet box.

The box must be directly supported by the building structure and U.L. Recognized.



### COLLECTION

SOLERO II

### APPLICATION

Ceiling

### MODEL NO.

20506LEDD  
20507LEDD  
20508LEDD  
20509LEDD  
20510LEDD

### WHAT WE PROVIDE

- Mounting Hardware
- 1 x Acrylic Shade
- 1 x Metal frame
- LED

### WHAT YOU NEED

- Screwdriver
- Wire Cutters
- Wiring Supplies as Specified by Electrical Code

### Recommended Dimmers

(ELV) LUTRON Skylark Contour CTCL-153P

(MLV) LUTRON Diva DVLV-600P

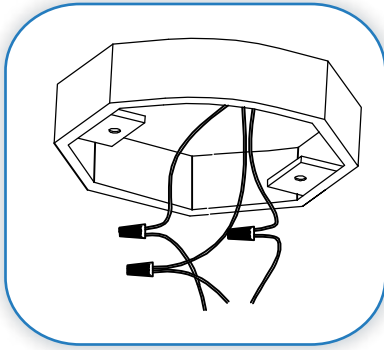
(TRIAC) LEVITON illumatech IPI06

(TRIAC) LUTRON Ariadni/Toggler TGCL-153P

(TRIAC) LUTRON Diva DVCL-153P

### STEP BY STEP INSTRUCTIONS

Before starting your installation disconnect the Power by turning off the Circuit Breaker or by removing the fuse at the fuse box. Just turning the light off at the light switch is not sufficient to prevent electrical shock.



1

### PREPARE FIXTURE

If there is an existing fixture remove it.

Expose the supply wires from the J-box .

Connect the black supply wire to the black fixture wire.

Secure with the supplied wire nut. Connect the white supply

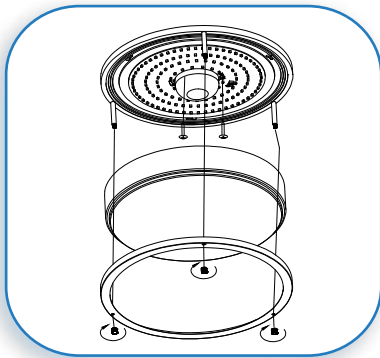
wire to the white fixture wire. Secure with the supplied wire

nut. Either wrap the green wire around one of the

protruding screws or connect it to the supply ground wire.

Secure all wires with U.L. Certified electrical tape (not

supplied). Tuck all wires carefully into the J-Box.



2

### MOUNT THE FIXTURE

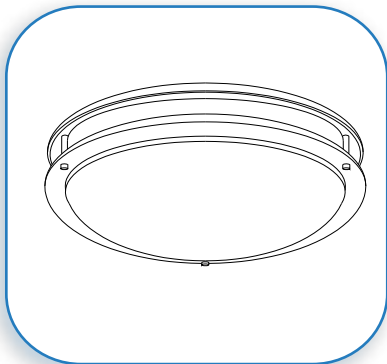
Align the fixture canopy to the J-box and secure with

the supplied screws.

Place the metal frame over the acrylic shade and align

both to the threaded rods on the fixture canopy.

Secure with the supplied thumb screws.



3

### RESTORE THE ELECTRICITY AND CHECK THE OPERATION OF YOUR NEW ACCESS LIGHTING FIXTURE

