

Model No :: **52204-BS**  
 Name :: Cobra



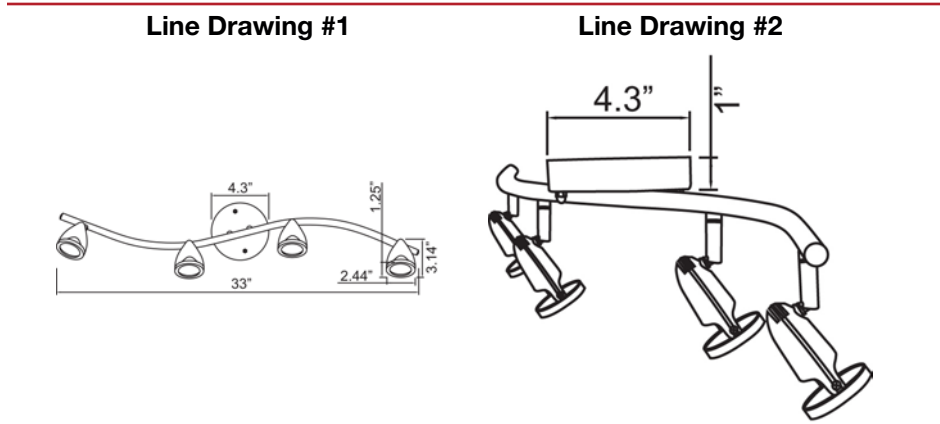
Project Name :: \_\_\_\_\_  
 Location :: \_\_\_\_\_  
 Type :: \_\_\_\_\_  
 Quantity :: \_\_\_\_\_  
 Notes :: \_\_\_\_\_

Product Information	
Product ID ::	52204
UPC Code ::	641594992328
Mounting Type ::	Ceiling
Finish ::	Brushed Steel (BS)
Diffuser ::	0
Alt. Finishes ::	Black (BL); Brushed Steel (BS)
Alt. Diffusers ::	0

Product Dimensions			
<b>Fixture</b>		<b>Canopy</b>	
Length ::	33"	Length ::	N/A
Width ::	N/A	Width ::	N/A
Diameter ::	N/A	Diameter ::	N/A
Extension ::	N/A	Height ::	1"
Height ::	5.5"		
Overall Height ::	N/A		

**Technical Specifications**

Qualifications	Specifications	Photometrics	Recommended Dimmers
Location Rating :: Dry	Frame Material :: Metal	CCT :: 0	(TRIAC) Any Standard Dimmer
Certification :: ETL Listed (US/Canada)	Diffuser Material :: 0	CRI :: N/A	
IES File ::	Voltage :: 120v	Wattage :: 200w	
JA8 Compliant :: No	Lamping Type :: Halogen	Nominal Lumens :: N/A	
Energy Star :: No	Lamping Base :: GU-10	Delivered Lumens :: N/A	
ADA Compliant :: No	Lamp Quantity :: 4	Additional Items :: 0	
Marine Grade :: No	Lamp Wattage :: 50 W		
Emergency Lighting :: No	Total Wattage :: 200w		
Warranty :: 1 Year Limited	Lamps Included :: No		
	J-Box Type :: Standard		



**IES File**

Image  
Not Available

**Toll Free 800-828-5483 • www.AccessLighting.com**

14410 Myford Road, Irvine, CA 92606  
 The information provided is subject to change without notice. ©2020 Access Lighting Corporation. All Rights Reserved  
 Rev. 202004 Filename: 52204-BS.pdf

