

Model No :: **63127LEDDL P-MSS/CLR**
 Name :: Boulder



Project Name :: _____
 Location :: _____
 Type :: _____
 Quantity :: _____
 Notes :: _____

Product Information

Product ID :: 63127
 UPC Code :: 641594230208
 Mounting Type :: Ceiling
 Finish :: Mirrored Stainless Steel (MSS)
 Diffuser :: Clear (CLR)
 Alt. Finishes :: Mirrored Stainless Steel (MSS)
 Alt. Diffusers :: Clear (CLR)

Product Dimensions

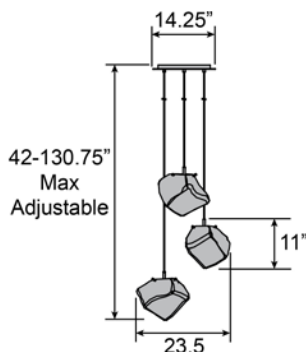
Fixture	Canopy
Length :: N/A	Length :: N/A
Width :: N/A	Width :: N/A
Diameter :: 23.5"	Diameter :: 14.25"
Extension :: N/A	Height :: 1"
Height :: 40.25"	
Overall Height :: 42-130.75"	



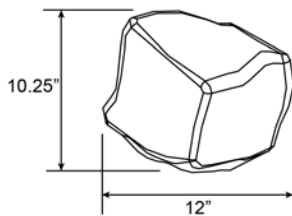
Technical Specifications

Qualifications	Specifications	Photometrics	Recommended Dimmers
Location Rating :: Dry	Frame Material :: Metal	CCT :: 2200	(ELV) LUTRON Skylark SELV-300P; (MLV) COOPER Aspire 9530SW; (TRIAC) LEGRAND Titan CD703-PW
Certification :: UL Listed (US/Canada)	Diffuser Material :: Glass	CRI :: 80	
IES File ::	Voltage :: 120v	Wattage :: 15w	
JA8 Compliant :: No	Lamping Type :: Replaceable LED	Nominal Lumens :: 1140Lm	
Energy Star :: No	Lamping Base :: E-26	Delivered Lumens :: N/A	
ADA Compliant :: No	Lamp Quantity :: 3	Additional Items :: 0	
Marine Grade :: No	Lamp Wattage :: 5 W		
Emergency Lighting :: No	Total Wattage :: 15w		
Warranty :: 1 Year Limited	Lamps Included :: Yes		
	J-Box Type :: Standard		

Line Drawing #1



Line Drawing #2



IES File

Image Not Available

Toll Free 800-828-5483 • www.AccessLighting.com

14410 Myford Road, Irvine, CA 92606

The information provided is subject to change without notice. ©2020 Access Lighting Corporation. All Rights Reserved
 Rev. 202004 Filename:: 63127LEDDL P-MSS_CLR.pdf

