

Model No :: **72005LEDD-BRZ**  
 Name :: TaskWerx



Project Name :: \_\_\_\_\_  
 Location :: \_\_\_\_\_  
 Type :: \_\_\_\_\_  
 Quantity :: \_\_\_\_\_  
 Notes :: \_\_\_\_\_

**Product Information**

Product ID :: 72005  
 UPC Code :: 641594207392  
 Mounting Type :: Portable  
 Finish :: Bronze (BRZ)  
 Diffuser :: 0  
 Alt. Finishes :: Bronze (BRZ); Brushed Steel (BS)  
 Alt. Diffusers :: 0

**Product Dimensions**

Fixture	Canopy
Length :: 26"	Length :: 7.5"
Width :: 7"	Width :: 7.5"
Diameter :: N/A	Diameter :: N/A
Extension :: N/A	Height :: 1.5"
Height :: 14"	
Overall Height :: N/A	



**Technical Specifications**

**Qualifications**

Location Rating :: Dry  
 Certification :: UL Listed (US/Canada)  
 IES File ::  
 JA8 Compliant :: No  
 Energy Star :: No  
 ADA Compliant :: No  
 Marine Grade :: No  
 Emergency Lighting :: No  
 Warranty :: 5 Year Limited

**Specifications**

Frame Material :: Aluminum  
 Diffuser Material :: Acrylic  
 Voltage :: 100-240v  
 Lamping Type :: Dedicated LED  
 Lamping Base :: SSL  
 Lamp Quantity :: 1  
 Lamp Wattage :: 6.3 W  
 Total Wattage :: 6.3w  
 Lamps Included :: Yes  
 J-Box Type :: Standard

**Photometrics**

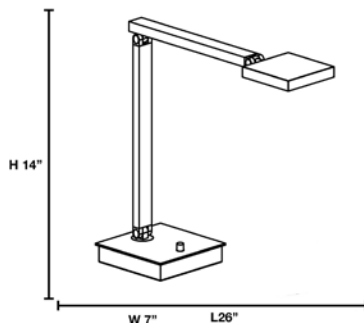
CCT :: 3000  
 CRI :: 83  
 Wattage :: 6.3w  
 Nominal Lumens :: 600Lm  
 Delivered Lumens :: 440Lm

**Recommended Dimmers**

0

Additional Items :: Built-In Dimmer

**Line Drawing #1**



**Line Drawing #2**

Image Not Available

**IES File**

Image Not Available

**Toll Free 800-828-5483 • www.AccessLighting.com**

14410 Myford Road, Irvine, CA 92606

The information provided is subject to change without notice. ©2020 Access Lighting Corporation. All Rights Reserved  
 Rev. 202004 File name:: 72005LEDD-BRZ.pdf

