

Stock Code: **SB-20022LEDDMG-BL/ACR**

Collection: Numero Wet

### PRODUCT INFORMATION

Base: SB-20022 Parent: SB-20022LED  
Mounting Type: Wall UPC: 641594249613  
Finish: Black  
Diffuser: Acrylic Lens

### PRODUCT MEASUREMENTS

FIXTURE	BACKPLATE / CANOPY
Length:	Length
Width: 12.5"	Width:
Diameter	Diameter:
Height: 5.25"	Height:
Extension: 2"	
Overall Height:	

### TECHNICAL SPECIFICATIONS

#### SPECIFICATIONS

Frame Material: Aluminum  
Diffuser Material: Acrylic  
Lamping Type: SSL (Dedicated LED) Jbox: Standard  
Lamping Base: SSL Lamp Wattage: 4 W  
Lamp Quantity: 1 Total Wattage: 4 W  
Voltage: 120v Lamps Included: Yes

#### QUALIFICATIONS

Location Rating: Wet  
Certification: ETL (US/Canada) Listed  
ADA Compliant: Yes Energy Star: No  
JA8 Compliant: No Emergency Lighting: No  
Marine Grade Finish: Yes  
Warranty: 5 Year

#### PHOTOMETRICS

Dimmable: Yes Nominal Lumens: 400 Lm  
CRI: 90 Delivered Lumens: N/A  
CCT: 3000K  
Recommended Dimmers:  
(TRIAC)LUTRON Diva DVCL-153P; (ELV)LUTRON Diva DVELV-303P; (TRIAC)LEVITON Surslide 6631; (ELV)LUTRON Maestro CL MACL-153M; (ELV)LUTRON Skylark Contour CTCL-153P; (TRIAC)LEVITON Trimatron 6684

#### ADDITIONAL NOTES

Custom Finish 100 Piece Minimum Order Quantity; Minimum Order Quantity 100pcs.

Project Name: \_\_\_\_\_

Location: \_\_\_\_\_

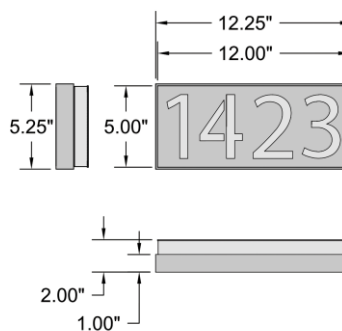
Type: \_\_\_\_\_

Quantity: \_\_\_\_\_

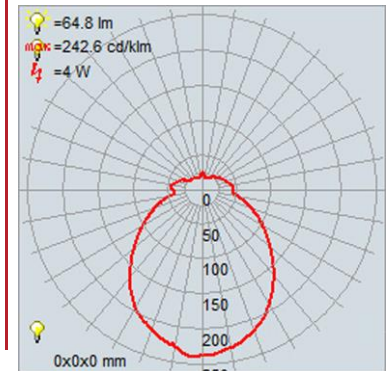
Notes: \_\_\_\_\_



#### LINE DRAWING



#### IES FILE



In addition to Access Lighting's purchase and warranty terms and conditions, by signing below or placing an order, you agree that you are authorized to bind the entity placing any order and acknowledge the following: All of sizes and measurements are approximate and all images are for illustrative purposes only. In the event of an inconsistency, the "Product Measurements" section controls. There also may be slight differences in the colors and designs compared to the displayed and printed images.

Signature: \_\_\_\_\_

Print Name \_\_\_\_\_ Date: \_\_\_\_\_

Toll Free 800-828-5483 [www.AccessLighting.com](http://www.AccessLighting.com)

14410 Myford Road, Irvine, CA 92606

The information is subject to change without notice.

4/11/2023

SB-20022LEDDMG-BL\_ACR.pdf

