

alora mood

P. 1.855.855.8926

CANADA: 19054 28TH Avenue Surrey - BC V3Z 6M3

USA: 3035 E. Lone Mountain Rd - Las Vegas, NV, 89081

RUBIO FM522211

| | |
|--------------------|-------------------------|
| FIXTURE DIMENSIONS | D12-1/4" x H5" |
| LAMP TYPE | E26 |
| MAX WATTAGE | 60W |
| BULB QTY | 2 |
| BULBS INCLUDED | No |
| VOLTAGE | 120V |
| GLASS DETAILS | Opal Glass |
| MATERIAL | Aluminum; Glass; Steel; |
| LOCATION | Dry |
| BRAND | Alora Mood |

[D - Diameter, L - Length, W - Width, H - Height, E - Extension]

AVAILABLE FINISHES:

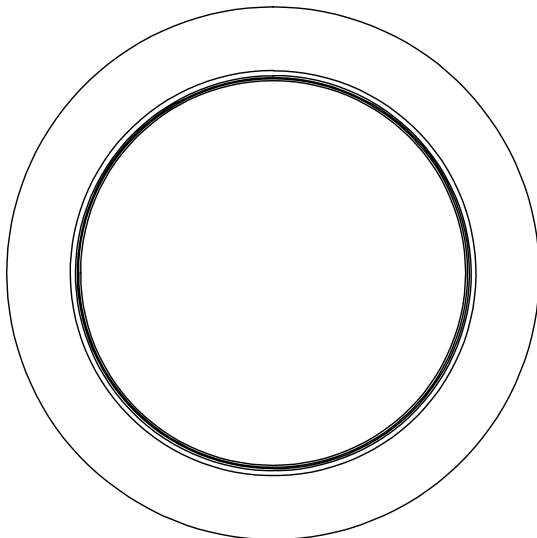
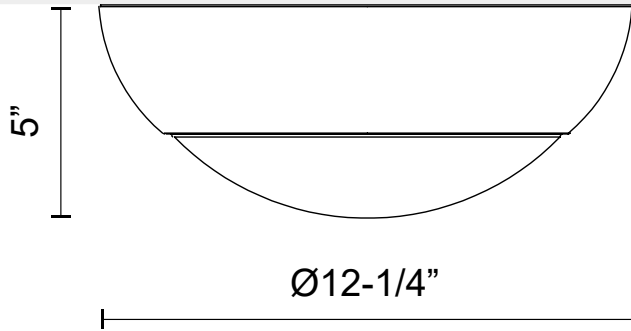


FM522211AGOP
Aged Gold/Opal
Matte Glass



FM522211MBOP
Matte Black/Opal
Matte Glass

*For complete warranty terms, please visit: www.aloralighting.com/warranty



WWW.ALORAMOOD.COM

© 2022 KUZCO LIGHTING. ALL RIGHTS RESERVED.

