

AQUABRASS

Tubo 12014

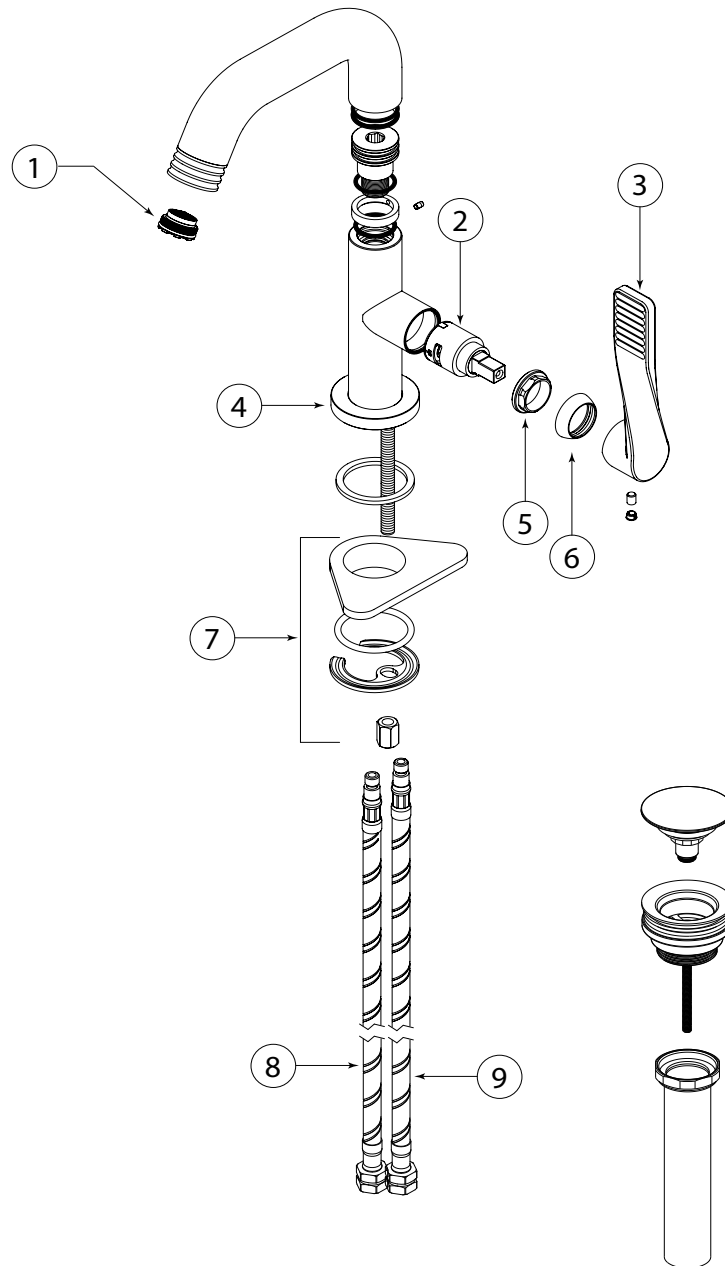
single-hole lavatory faucet
robinet de lavabo monotrou

Installation Guide

Guide d'installation



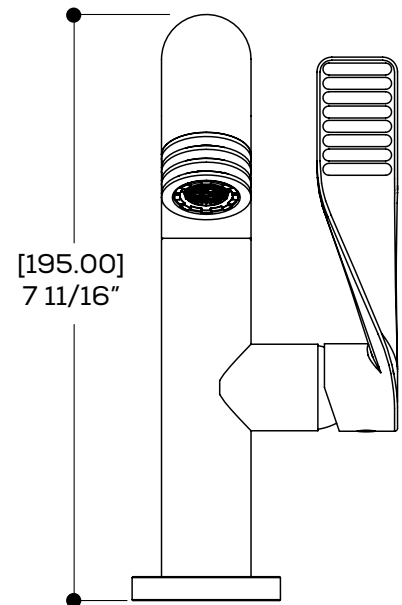
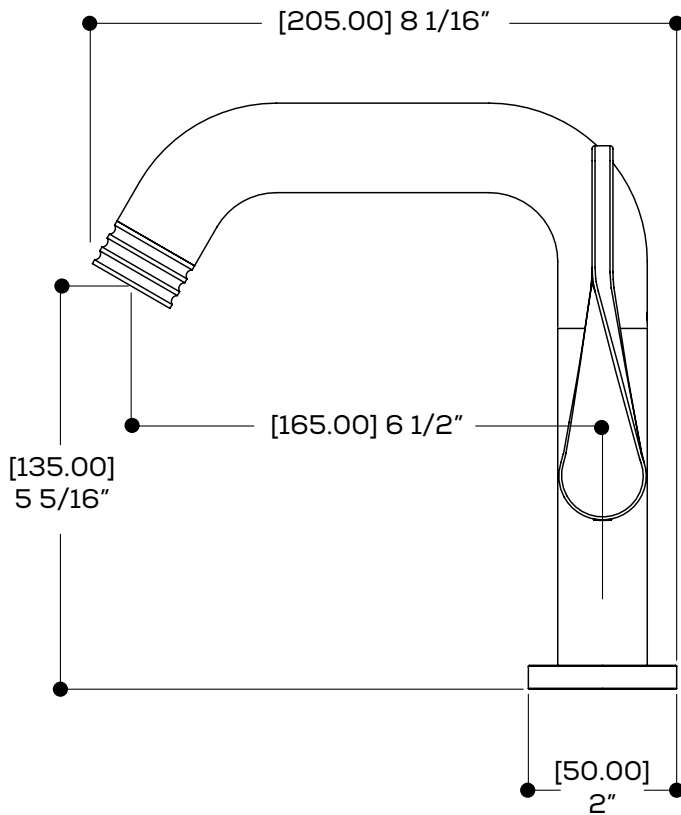
Service parts / Schéma des pièces



Item	Code	English	Français
1	ABAE51998	Aerator	Aérateur
2	ABCA66099	Cartridge	Cartouche
3	ABFC20173	Handle	Poignée
4	ABFC41120	Handle base	Base pour poignée
5	ABFP12067	Large nut	Ecrou large

Item	Code	English	Français
6	ABFC14674	Dome cap	Capuchon en dôme
7	ABFP41021	Tie down kit	Ensemble d'attache
8	ABFH12023	Hot water flexible hose	Flexible d'eau chaude
9	ABFH12024	Cold water flexible hose	Flexible d'eau froide

General dimensions / Dimensions générales



CAUTION: FOR BEST RESULTS, WE STRONGLY RECOMMEND THE INSTALLATION OF THIS FAUCET BE DONE BY A LICENSED PLUMBER.

MISE EN GARDE: POUR OBTENIR UN RÉSULTAT OPTIMAL, NOUS RECOMMANDONS FORTEMENT QUE L'INSTALLATION DE CE ROBINET SOIT FAITE PAR UN PLOMBIER ACCRÉDITÉ.



CAUTION: MAKE SURE TO PROPERLY FLUSH THE HOT AND COLD WATER SUPPLY. FAILURE TO CARRY OUT THIS SIMPLE PROCEDURE COULD CAUSE PROBLEMS OR DAMAGE TO THE WORKING OF THE FAUCET.

MISE EN GARDE: ASSUREZ-VOUS DE BIEN PURGER L'ALIMENTATION D'EAU CHAUDE & FROIDE. NE PAS FAIRE CETTE ÉTAPE POURRAIT CRÉER DES PROBLÈMES OU DOMMAGES POUR LE FONCTIONNEMENT DU ROBINET.

1 Prepare the faucet Préparation du robinet

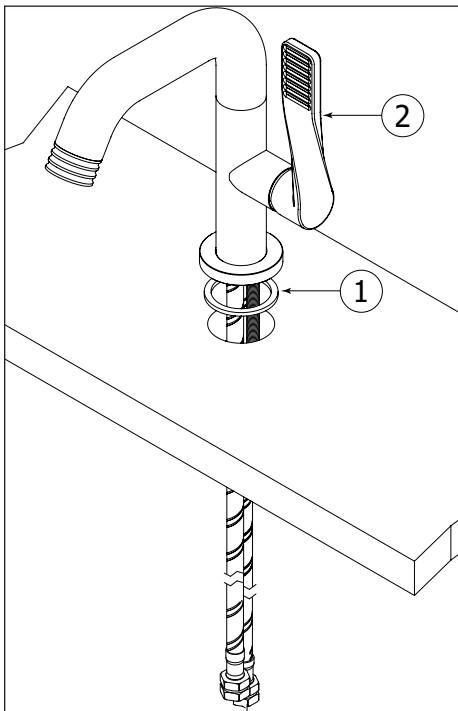


Fig.1

⚠ WE RECOMMEND DRILLING A 1-3/8" DIAMETER HOLE.

⚠ NOUS RECOMMANDONS DE PERÇER UN TROU DE 1 3/8" DE DIAMÈTRE.

Place the rubber ring (1) against the faucet body and insert the faucet (2) into the hole of the basin or countertop as shown (Fig. 1).

Places la bague en caoutchouc (1) contre le bec. Insérer le robinet (2) dans le trou du lavabo ou du comptopar tel qu'illustré (Fig. 1).

2 Install the faucet Installation du robinet

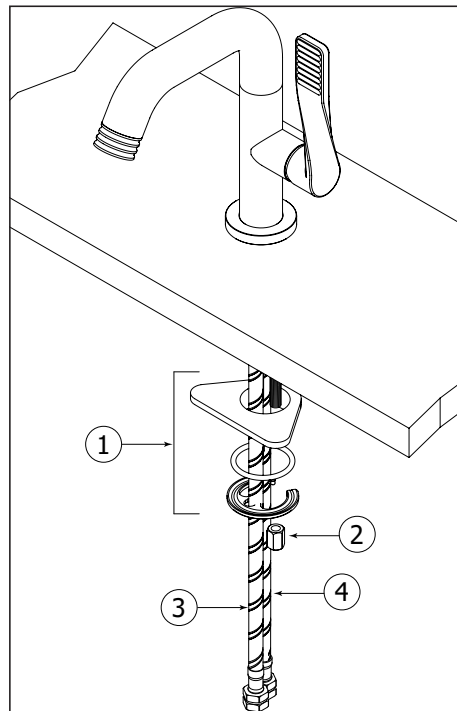


Fig.2

Insert the tie down kit (1) to the rod. Secure the faucet with the metal nut (2). Connect the hot and cold hoses (3&4) to the water supply.

Insérer l'ensemble de montage (1) sur le manchon fileté. Fixer le robinet avec l'écrou métallique (2). Connecter les tuyaux d'eau chaude et froide (3&4) à l'alimentation d'eau.

Drain installation Installation du drain

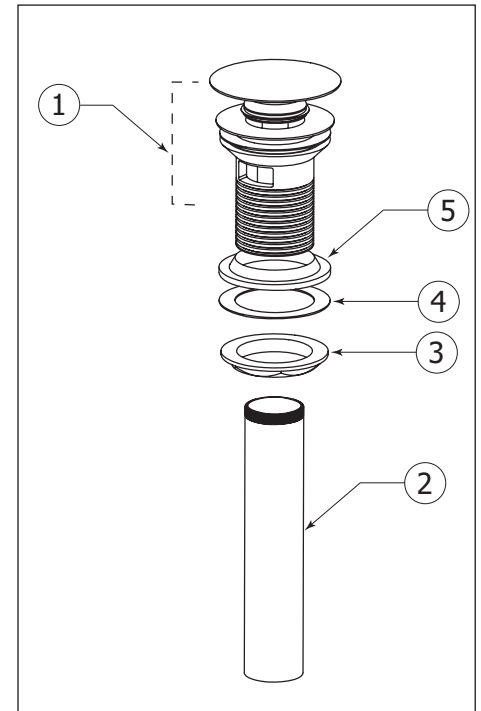


Fig.3

Unscrew the tube (2) and remove the hexagonal nut (3), the white nylon washer (4) and the black rubber washer (5). Insert the body of the drain (1) into the hole of the basin. Reinsert the washers and the hexagonal nut in the same order; (5), (4), (3). Tighten firmly without putting pressure on the basin. Screw back the tube (2). It is recommended to apply teflon tape around the tube's thread to prevent water leaks.

Dévisser le tube (2) et enlever l'écrou hexagonal (3), la rondelle de nylon blanche (4) et la rondelle de caoutchouc noire (5). Insérer le corps du drain (1) dans le trou du lavabo. Remettre les rondelles et l'écrou dans le même ordre; (5), (4), (3). Resserrer fermement sans exercer de pression sur le lavabo. Revisser le tube (2). Il est recommandé d'appliquer du ruban de teflon autour des filets afin de prévenir les fuites.

Cartridge replacement Remplacement de la cartouche

Cleaning the aerator Nettoyage de l'aérateur

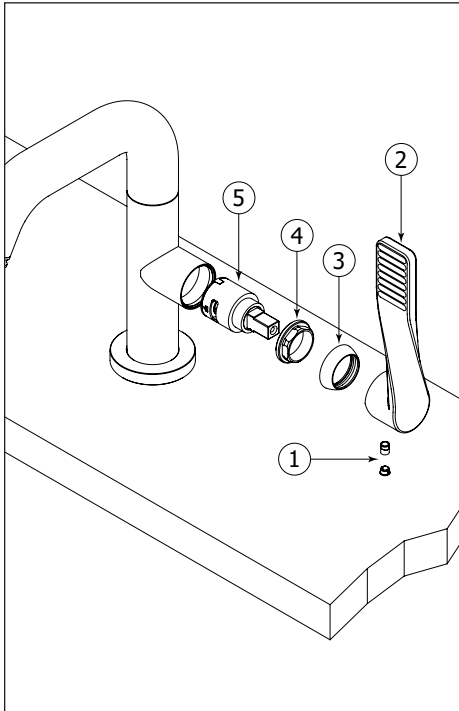


Fig.4

Start by shutting off water supply lines and then turn on the faucet to drain. To replace the cartridge (5), remove the set screw (1), take out the handle (2) and dome cap (3). Unscrew large nut (4). Replace the cartridge (5) with the new one and reassemble by reversing steps.

Couper l'alimentation d'eau et ouvrir le robinet pour vider l'eau résiduelle. Pour remplacer la cartouche (5), Enlever la vis de réglage (1), et retirer la poignée (2) et le dôme décoratif (3). Dévisser l'écrou (4). Remplacer la cartouche (5) et remonter en inversant les étapes.

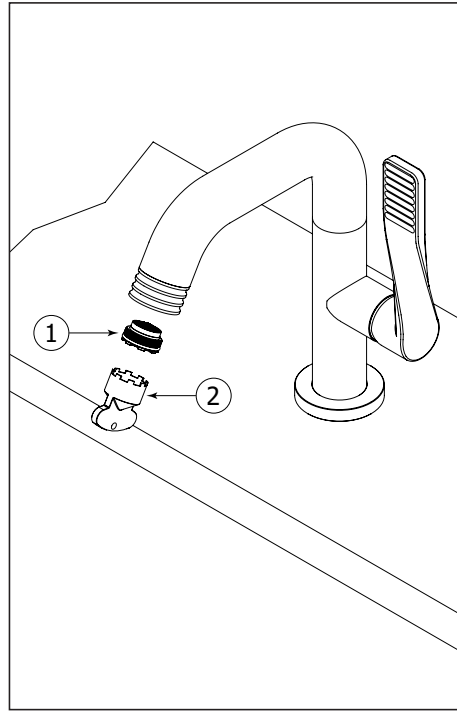


Fig.5

To clean the aerator, remove it (1) from the spout with the key supplied (2). Then soak it in a vinegar and water solution to remove lime build-up. Once parts have been cleaned, reinsert the aerator.

Pour nettoyer l'aérateur (1), dévisser le avec la clé fournie (2). Ensuite, tremper l'aérateur dans un mélange de vinaigre et d'eau, pour retirer le calcaire qui pourrait s'y être accumulé. Une fois les pièces nettoyées, replacer l'aérateur.

AQUABRASS WARRANTY

Tubo 12014

single-hole lavatory faucet
robinet de lavabo monotrou

Aquabass offers a lifetime warranty against defects in materials and workmanship under normal conditions of use, care and maintenance of the product(s), for as long as the original purchaser owns their home. The warranty applies only when the product is purchased from an authorized Aquabass dealer. It is not transferable and is limited to products sold and installed in Canada and the United States.

OUR WARRANTIES FOR RESIDENTIAL APPLICATIONS

- Limited lifetime warranty for ceramic disc cartridges.
- Five (5) year warranty for all other cartridges (thermostatic cartridges, diverters, check stop mechanisms etc.).
- Limited lifetime warranty for the polished chrome, electro black, stainless steel and PVD finishes.
- Three (3) year warranty for all other finishes.
- Two (2) year warranty for electronic faucets and components (batteries are not covered by our warranty).
- Five (5) year warranty for all other Aquabass product(s) and parts.

OUR WARRANTY FOR COMMERCIAL / INDUSTRIAL APPLICATIONS

- All Aquabass products and parts will be warranted for two (2) years.

OUR WARRANTY ON FINISHES

Polished chrome, electro black, stainless steel and PVD finishes carry a limited lifetime warranty against defects. All other Aquabass finishes are warranted for three (3) years. Finishes on drains are not covered by the warranty, nor the normal wear of any finish. Normal wear and tear is the expected decline in the condition of a product/finish due to normal everyday use. We highly recommend you carefully read the care and maintenance detailed instructions or visit our website aquabass.com/aquabass finishes.

OUR COMMITMENT

We will repair or replace, free of charge, during the applicable warranty periods listed above, any product, part or finish that is proven defective in material and/or workmanship under normal installation, condition of use, care and maintenance of the product(s). Replacement parts for discontinued products will be made available, under warranty or not, until stock lasts. Under the period(s) of the warranty listed above, if the required replacement product, part or finish is no longer available, an equivalence will be recommended and provided, free of charge.

OUR WARRANTY EXCLUSIONS

- Damage caused by inadequate installation, misuse, lack of care and maintenance of the product(s).
- Surface damage caused from using abrasive products, such as detergents.
- Corrosion resulting from exposition to chemically reactive products, such as Chlorine.
- Damage caused by hard water, calcareous deposits or sediments.
- Damage or loss occurred by a natural calamity such as fire, earthquake, flood, thunder, electrical storm.
- The installation of any Aquabass products by a non-accredited professional.

Any labor or shipping charges, or damages whatsoever incurred in whole or in part from installation, removal, re-installation, repair or replacement of any Aquabass product or part, as well as any incidental or consequential damages, expenses, losses, direct or indirect, arising from any cause whatsoever.

OUR WARRANTY CLAIM PROCESS

To exercise our warranty, a proof of purchase – such as a copy of invoice - must be made available to our distribution center. Depending on the complexity of the defective product, an inspection can be required prior to approving the warranty claim.

North American Distribution Center (Canada & USA):

AD-WATERS
Technical Service Center
9805 Clark street
Montréal, Québec H3L 2R5

1 888 239-9336
tech@ad-waters.com

For international requests: communications@aquabass.com

Aquabass reserves the right to make product specification changes without notice or obligation and to change or discontinue certain models

AQUABRASS ABOUT

Tubo 12014

single-hole lavatory faucet
robinet de lavabo monotrou

CARE & MAINTENANCE

Do not allow water residues to come into prolonged contact with the surface finish. After each use, gently dry the product surface with a clean soft cloth to prevent water-spotting and mineral build-up. Water stains and accumulation of minerals weaken the protective coating, eventually leading to peel off.

Clean the surface regularly using a pH neutral clear liquid soap, water and a soft cloth. Rinse away any traces of soap and gently dry with a soft clean cloth. Occasional application of Flitz Faucet Wax Plus is also recommended. The application of this wax based product leaves a protective layer that repels water, thereby providing extra protection against tarnishing.

Avoid abrasive and harsh cleaning products (detergents, caustic, acidic, antibacterial, ammonia- or bleach-containing products, organic solvents, lime scale and clog removers, brass and silver cleaners, etc.). The use of these products can damage the finish and will void the warranty. We recommend covering the fixture with a towel when using any of the listed products in order to prevent damage by splashing.

Residues left by personal products such as soap, toothpaste and shampoo can damage the finish. Always rinse these residues away with clean water and wipe dry.

Due to the characteristics of the Aquabrace custom finishes and their appropriate maintenance durability dependency, the warranty for custom finish products is three (3) years. There are no returns on custom finish products.

OPTIONAL LOW FLOW AERATORS



Adjustments for specific restrictions can be made on most of our lavatory bathroom faucets in order to coordinate with regional flow rate allowances. A low flow restrictor is sold at \$10 per unit. Please contact your local Aquabrace representative for additional details.

PRODUCT CERTIFICATION

Complying with North American plumbing standards and guaranteeing environmental products of the highest quality is our top priority.



AQUABRASS

Tube 12014

single-hole lavatory faucet
robinet de lavabo monotrou

AQUABRASS

Tube 12014

single-hole lavatory faucet
robinet de lavabo monotrou

AQUABRASS