

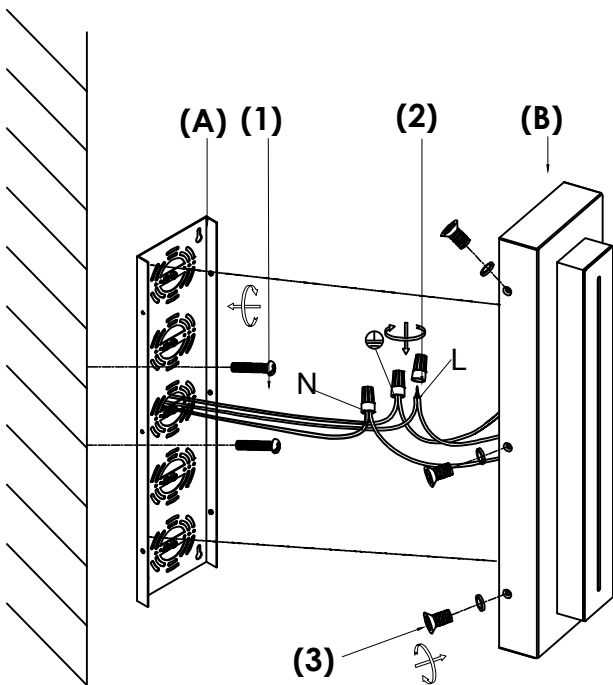
**START HERE**

Fixture must be installed by a licensed electrician.  
Prepare everything in a clear area.  
Wear gloves at all times during this installation.  
Read instructions carefully before you start assembly.  
Keep this instruction sheet for future reference

**AV3268**

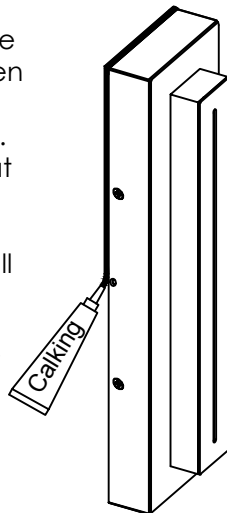
**WALL SCONCE**

**Suitable for wet locations**

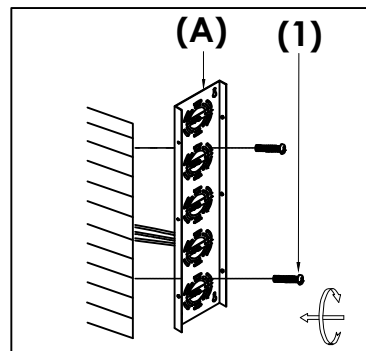


**Illustration A**

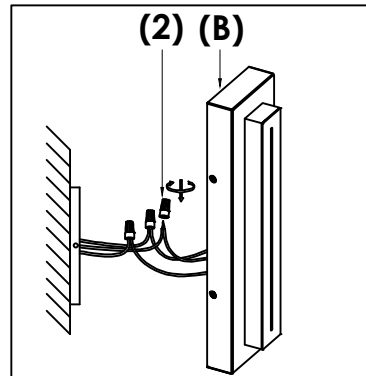
To prevent moisture from entering the outlet box and causing a short, seal around the top and side perimeter between the fixture and the wall surface with weather resistant caulking. **[see Illustration A]**. The space at the bottom should be left un-caulked to prevent moisture build-up. Apply a small amount of weather resistant caulking around the side perimeter between the cap nut and mounting plate.



**Clean with a soft damp cloth.**

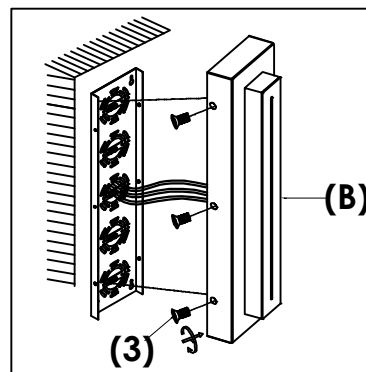


**Step 1:** Remove mounting bracket from fixture and install to electrical box



**Step 2:** Use wire nuts supplied to wire fixture to wires in outlet box.

Copper wire is for Ground.



**Step 3:** Place the fixture on the back plate and secure with two screws on the sides to hold the fixture in place. Caulk around back-plate where fixture meets the wall using outdoor silicone sealant. Leave a small gap at the bottom to allow moisture to escape.

