

BLANCO VINTERA 30 SUPER SINGLE APRON



BLANCO
 BLANCO AMERICA, INC.
 110 Mount Holly By-Pass
 Lumberton NJ 08048
 Phone: (800)451-5782
 Fax: (800)213-1963
 www.blancoamerica.com

BLANCO
 BLANCO CANADA INC.
 100 Corporation Drive
 Brampton, ON, L6S 6B5
 Phone: 877-425-2626
 Fax: 877-825-2626
 www.blancocanada.com



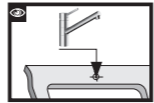


i

USA: www.blanco.com/vinterainstall
 CAN-EN: www.blanco.com/vinterahowto
 CAN-FR: www.blanco.com/vinteratutorial

	B	C	Sink Evier	Distance	A
Example	720 mm 28,346"	+ 19 mm 0,75"	- 165 mm 6,5"	- 4 mm 0,157"	= 570 mm 22,439"
Installation Montage	__ mm	+ __ mm	- 165 mm 6,5"	- __ mm	= __ mm

Distance A: 4 mm / 0,157"
 Distance B: 165 mm / 6,5"
 Distance C: 4 mm / 0,157"



1

6x 6x 6x 6x

2

*= Protrude countertop / Saillie plan de travail

38,1 mm = *
1,5" = *

165 mm
6,5"

56,1 mm
2,209"

758 mm
29,84"

762 mm
30"

2 mm
0,078"

DXF PDF
www.blanco.com

3

428 mm / 16,85"
409,5 mm / 16,12"

38,1 mm = *
1,5" = *

466,1 mm +1 mm
18,35" +0,039"
(428 mm + 38,1 mm = *)
(16,85" + 1,5" = *)

447,6 mm + 2 mm/-1 mm
17,62" +0,078"/-0,039"
(409,5 mm + 38,1 mm = *)
(16,12" + 1,5" = *)

R 16,5 mm -0,5 mm
R 0,65" -0,019"

380,51 mm
14,98"

50,8 mm
2"

R 15 mm
R 0,59"

ø 35 mm +1 mm
ø 1,38" +0,039"

724,03 mm +2 mm/-1 mm
28,5" +0,078"/-0,039"

R 12,7 mm
R 0,5"

63,5 mm
2,5"

761,03 mm +1 mm
29,96" +0,039"

*= Protrude countertop / Saillie plan de travail

4

761,03 mm +1 mm
29,96" +0,039"

1,5 mm
0,059"

724,03 mm +2 mm/-1 mm

11 mm +0,5 mm
0,43" +0,039"

28,5" +0,078"/-0,039"

5

30 mm
1,18"

40 mm
1,57"

6

Alcohol

7

Alcohol

8

9

10

11

PZ 2

12

13

14

15

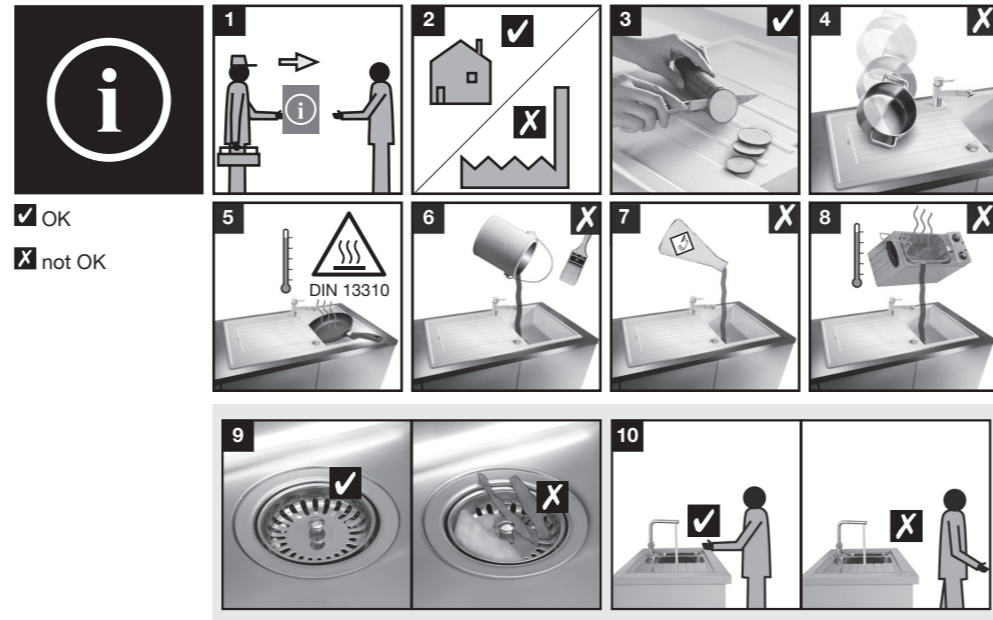
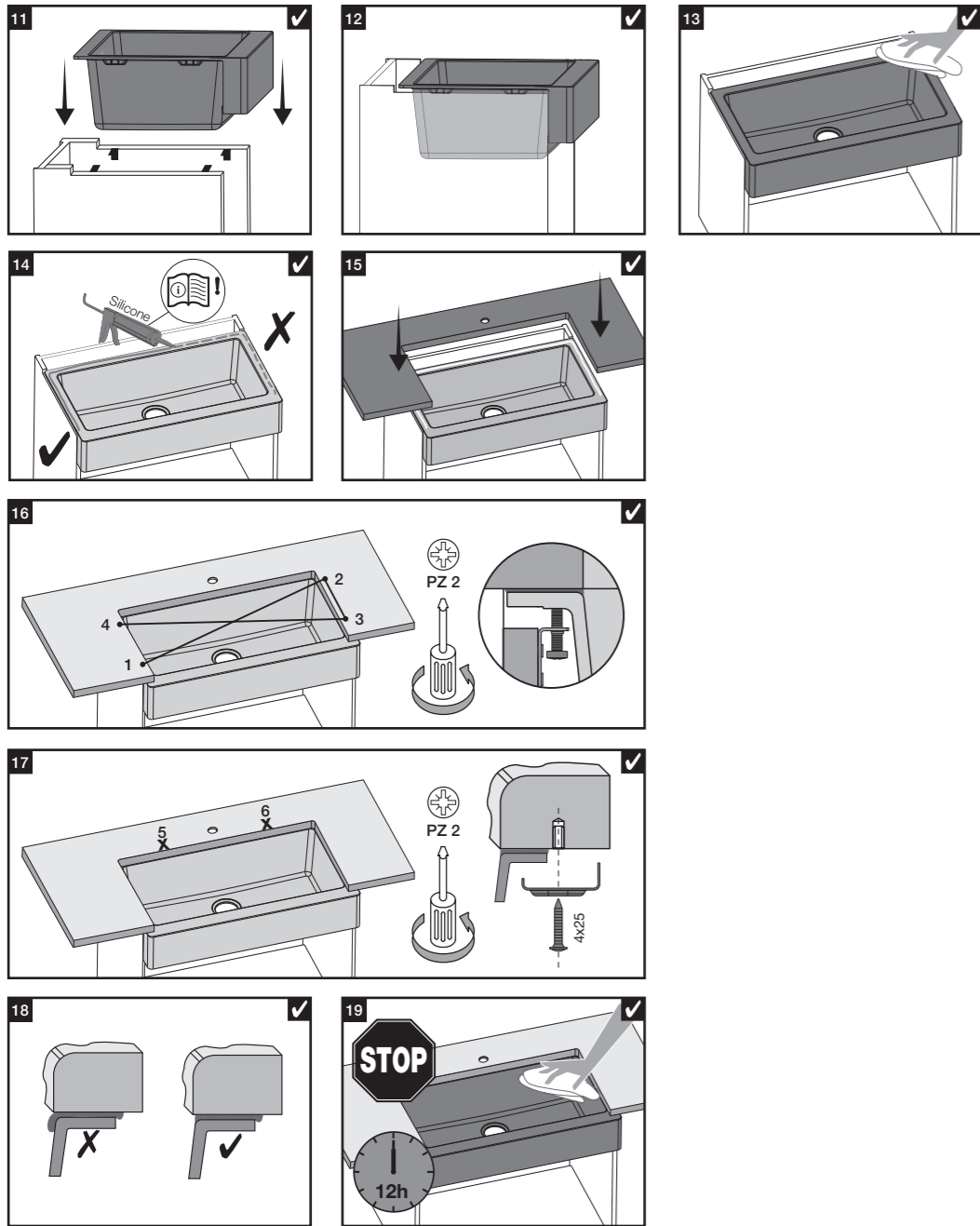
5 mm
0,2"

16

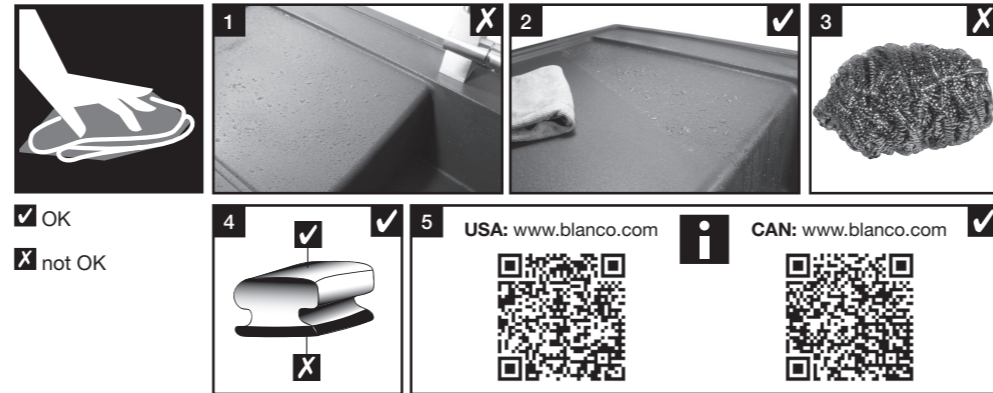
PZ 2

17

BLANCO



✓ OK
✗ not OK



✓ OK
✗ not OK

BLANCO VINTERA 30 SUPER SINGLE APRON



BLANCO
BLANCO AMERICA, INC.
110 Mount Holly By-Pass
Lumberton NJ 08048
Phone: (800)451-5782
Fax: (800)213-1963
www.blancoamerica.com

BLANCO
BLANCO CANADA INC.
100 Corporation Drive
Brampton, ON, L6S 6B5
Phone: 877-425-2626
Fax: 877-825-2626
www.blancocanada.com

240 351 04/2021



i

USA: www.blanco.com/vinterinstall
 CAN-EN: www.blanco.com/vinterahowto
 CAN-FR: www.blanco.com/vinteratutorial

	B	Sink Evier	Distance	A
Example	720 mm 28,346"	165 mm 6,5"	4 mm 0,157"	551 mm 21,689"
Installation Montage	__ mm "	165 mm 6,5"	__ mm "	__ mm "

1

2

*= Protrude countertop / Saillie plan de travail

3

*= Protrude countertop / Saillie plan de travail

30" Cabinet size

4 5 6

4

5

6

33" Cabinet size

7 8 9 10

7

8

9

10