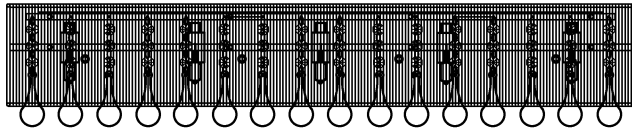


Trade Mark:
CRYSTAL WORLD INC

Product Name: Wall lamp
Model :5005W32C-RC
120Vac, 60Hz,AC ONLY
Lamp Size:W32"xH7"xE5"

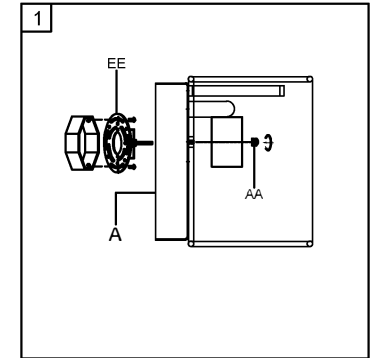


WALL LAMP ASSEMBLY INSTRUCTIONS

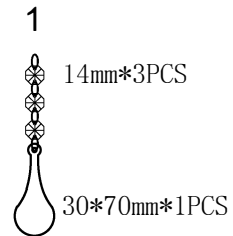
- 1.Place fixture(A) onto Butterfly (EE).
Secure with cap nuts (AA).

Hardware Used

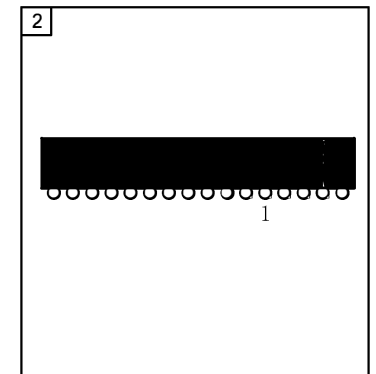
AA Cap nut  X 2




- 2.Please hang the crystal (1) to the fixture.



18PCS



- 3.Install light bulbs (not included).
Use bulb  **5*40W Max.**

