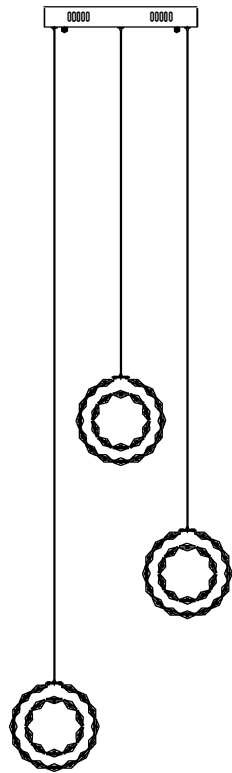


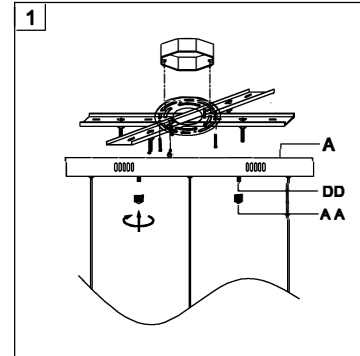
Trade Mark:  
CRYSTAL WORLD INC

Product Name: Pendant lamp  
Model :5417P16ST-R  
120Vac, 60Hz,AC ONLY  
Lamp Size:Ø16"\*H10"-H118"



## PENDANT LAMP ASSEMBLY INSTRUCTIONS

1. Place fixture(A) onto mounting screws (DD), secure with cap nuts (AA).



### Hardware Used

AA Cap nut  X 4  
DD Mounting screw  X 4

2. lighting bulbs ( not included).

**120V LED  18\*1W DIMMABLE (4000K)**

