

Assembly Instruction Sheet #IS-8001P24C

For Style 8001P24C

Tools Required: Flathead screwdriver, Phillips screwdriver, pliers, wire cutters, wire strippers, electrical tape, safety glasses.

Light Source: (17) Candelabra Base Bulbs 60W Maximum.

Estimated Assembly Time: 20-30 minutes

Preparation: Identify and inspect all parts before beginning installation. Check package content list and diagrams below to be sure all parts are present. If any parts are missing or damaged, do not attempt to assemble, install, or operate the fixture. Contact customer service for replacement parts.

⚠ Warnings and Cautions

Turn off electricity at circuit breaker or main fuse box before installation. Consult a licensed electrician if in doubt.

These instructions are provided for your safety. It is very important you read them completely before installing the fixture.

We strongly recommend that a licensed, professional electrician perform the installation.

Disconnect fixture from power source before replacing bulbs. Make sure bulbs are given sufficient time to cool before removal.

STEP 1 - Install top and bottom tier together.

A. Pass supply wire and ground wire through the junction box and fixture loop. Use supplied wire nuts to make all wire connections (Refer to WIRE CONNECTIONS IN JUNCTION BOX). Twist connectors until wires are tightly joined together. Wrap each connection with approved electrical tape.

B. Place the junction box onto the hex coupling and secure with the fixture loop. Hand tighten until snug.

C. Carefully stuff all the connected wires into junction box. Place the plate onto the bottom of the junction box and secure by threading the coupling onto the hex coupling. Hand tighten until snug.

D. Thread the center rod onto the coupling and thread the bottom tier onto the center rod. Hand tighten until snug to secure them together.

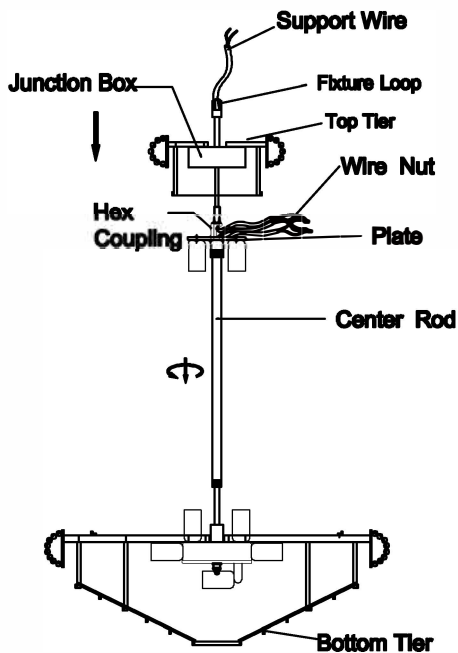
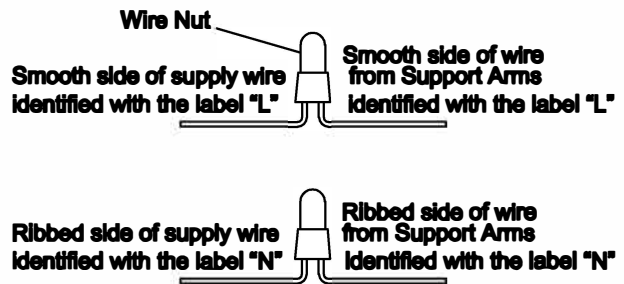


Figure 1

WIRE CONNECTIONS IN JUNCTION BOX

(Step 1 Continued)



WIRE CONNECTIONS IN JUNCTION BOX

STEP 2 - Install the Canopy Chain Loop and Nipple

A. Thread the nipple into the crossbar. Thread the lock washer and the hex nut onto top end of the nipple. Do not tighten at this moment.

B. Attach the crossbar to the outlet box and secure with outlet box screws (not included). Hand tighten until snug.

C. Thread the canopy chain loop onto the end of the nipple and hand tighten until snug. Place the ceiling canopy over the canopy chain loop against the ceiling to determine the correct position of the nipple.

D. Thread the canopy lock ring onto the canopy chain loop. Adjust the nipple to allow the ceiling canopy to rest against the ceiling when held in place by the canopy lock ring.

Remove the canopy lock ring from the canopy chain loop and remove the ceiling canopy. Unscrew outlet box screws to remove the crossbar assembly. Tight the hex nut above the crossbar. And then reinstall the crossbar assembly to the outlet box.

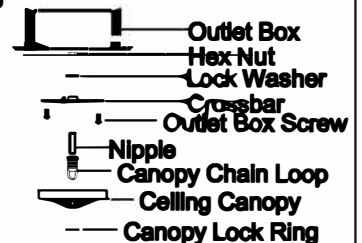


Figure 2