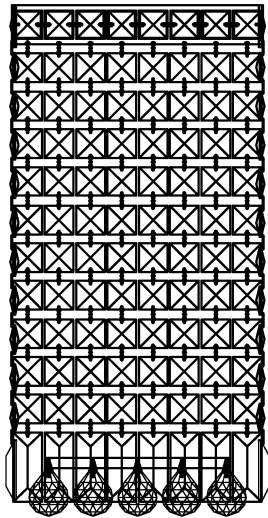


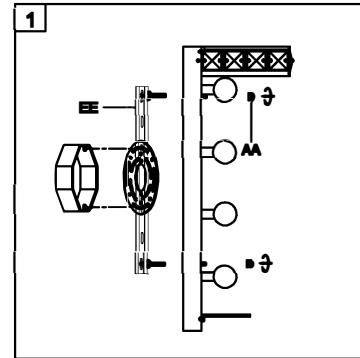
Trade Mark:  
CRYSTAL WORLD INC

Product Name: Wall lamp  
Model :8005W6C  
120Vac, 60Hz,AC ONLY  
Lamp Size:W6"xH12"xE5"



## WALL LAMP ASSEMBLY INSTRUCTIONS

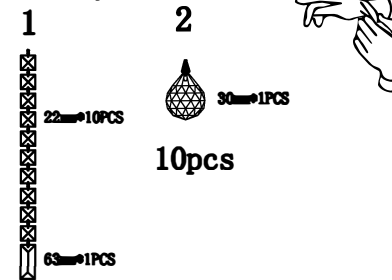
1.Place fixture(A) onto crossbar (EE).  
Secure with cap nuts (AA).



### Hardware Used

AA Cap nut            X 2

2.Please hang the crystal(1) (2) to  
the fixture (B).



13pcs

3.Install light bulbs ( not included).

Use bulb  
**120V E12**  **4\*40W Max.**

