

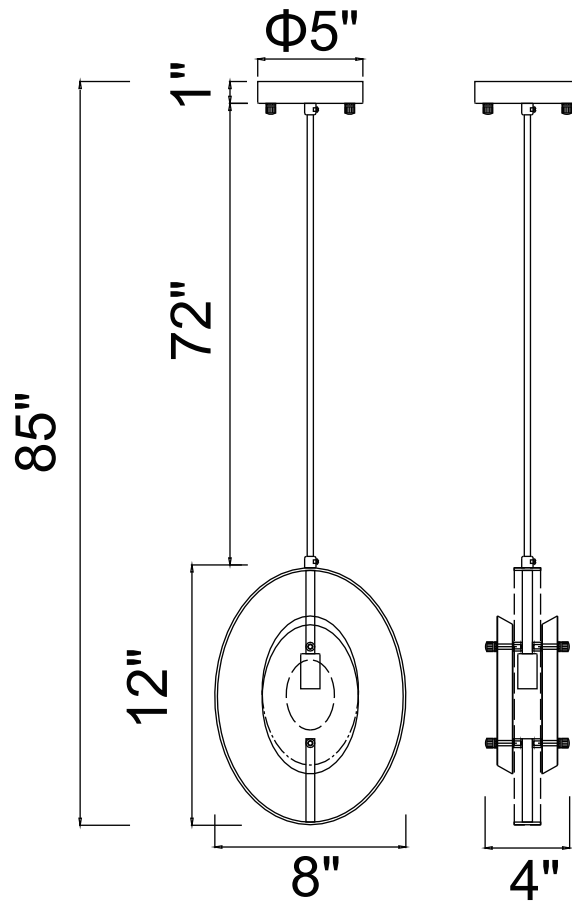


PROJECT: \_\_\_\_\_

FIXTURE TYPE: \_\_\_\_\_

LOCATION: \_\_\_\_\_

CONTACT/PHONE: \_\_\_\_\_



|            |                 |
|------------|-----------------|
| Item       | 1224P8-1-625    |
| Collection | IRIS            |
| Finish     | Brass           |
| Glass      | Clear           |
| Crystal    | -----           |
| Input      | 120V AC,60HZ,AC |

|             |       |
|-------------|-------|
| Shade       | ----- |
| Length/Dia. | 8"    |
| Width/Ext.  | 8"    |
| Height      | 12"   |
| Maximum     | 85"   |
| Lumens      | ----- |

|              |       |
|--------------|-------|
| Light Source | G9    |
| Bulb Info.   | 1×40W |
| Included     | ----- |
| Dimmable     | Yes   |
| Color        | ----- |
| Weight       |       |