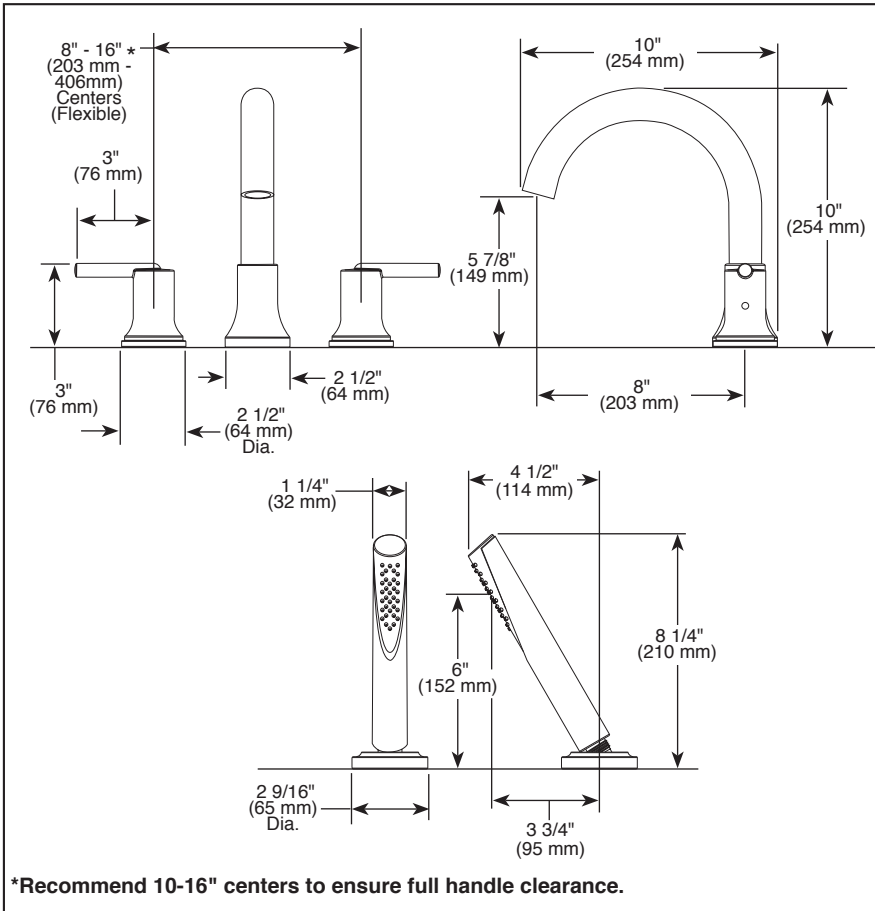


Submitted Model No.: _____

Specific Features: _____



*Recommend 10-16" centers to ensure full handle clearance.

▲ Designate Proper Finish Suffix



see what Delta can do™

ROMAN TUB/WHIRLPOOL FAUCET TRIM

- Trinsic® Collection
- Three Hole Installation (T2759 Series)
- Four Hole Installation (T4759 Series)

STANDARD SPECIFICATIONS:

- Handshower flow rate of 1.75 gpm @ 80 psi, 6.6 L/min @ 550 kPa
- Trim only for two handle Roman Tub faucet for concealed mounting
- Temperature and volume controlled with handles
- Red/blue indicator markings
- Rough-In kit must also be ordered to complete installation
 - R4707 for four hole
 - R2700 or R2707 for three hole
 - RP23601 for three hole 10" fixed installation
 There are separate specification sheets on each rough-in kit if more details are required
- Handshower includes double check valves for backflow prevention (T4759)

WARRANTY

- Lifetime limited warranty on parts (other than electronic parts and batteries) and finishes: or, for commercial users, for 5 years from date of purchase.
- 5 year limited warranty on electronic parts (other than batteries); or, for commercial users, for 1 year from the date of purchase. No warranty is provided on batteries.



COMPLETE VALVE COMPLIES WITH:

- ASME A112.18.1 / CSA B125.1
- Indicates compliance to ICC/ANSI A117.1 - Valve control only
- EPA WaterSense® - Applies to handshower only - RP73384*