

Submitted Model No.: \_\_\_\_\_

Specific Features: \_\_\_\_\_



see what Delta can do™

# DIVERTERS

- All Brass Construction
- ADA Compliant

## STANDARD SPECIFICATIONS:

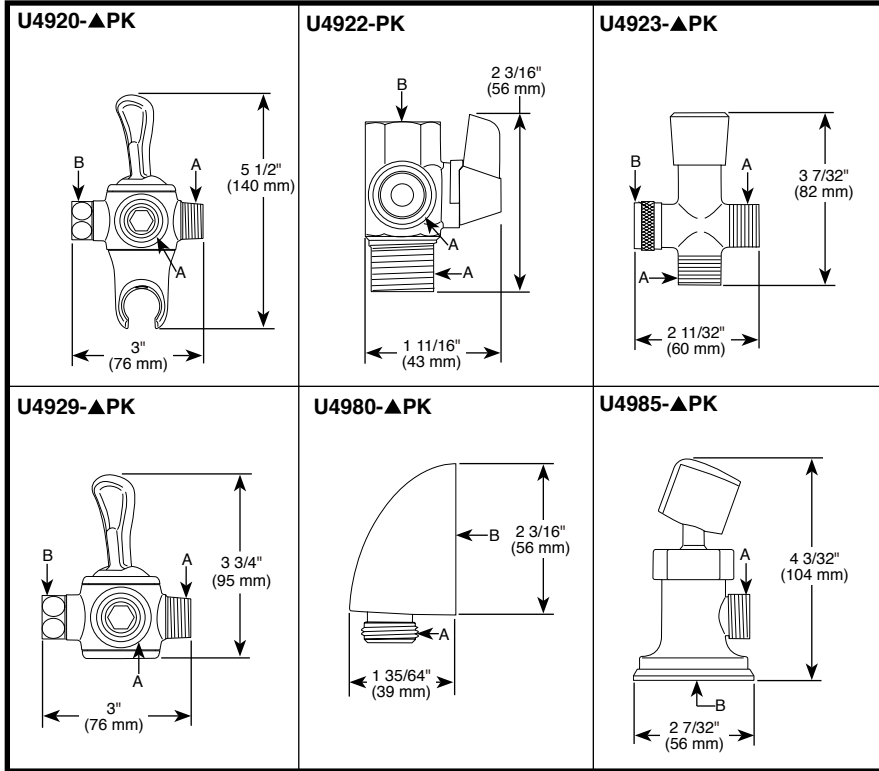
- All brass construction
- Diverts water
- Flip lever: U4920, U492
- Water supply elbow: U4980.

## WARRANTY

- Lifetime limited warranty on parts (other than electronic parts and batteries) and finishes; or for commercial users, for 5 years from the date of purchase.
- 5 year limited warranty on electronic parts (other than batteries); or for commercial users, for 1 year from the date of purchase. No warranty is provided on batteries

## COMPLIES WITH:

Indicates compliance to ICC/ANSI A117.1



▲ Designate proper finish suffix

|   |                |
|---|----------------|
| A | 1/2-14 NPSM-2A |
| B | 1/2-14 NPSM-2B |