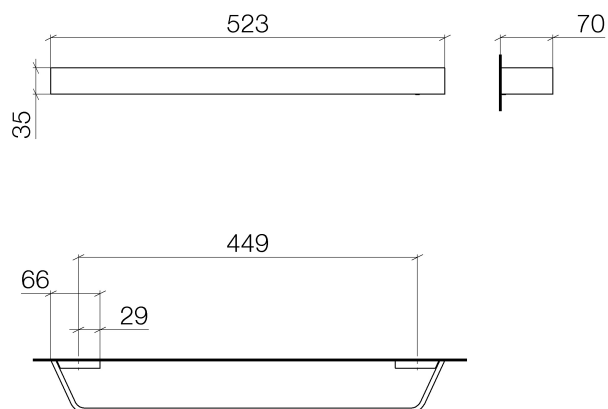




Product specifications

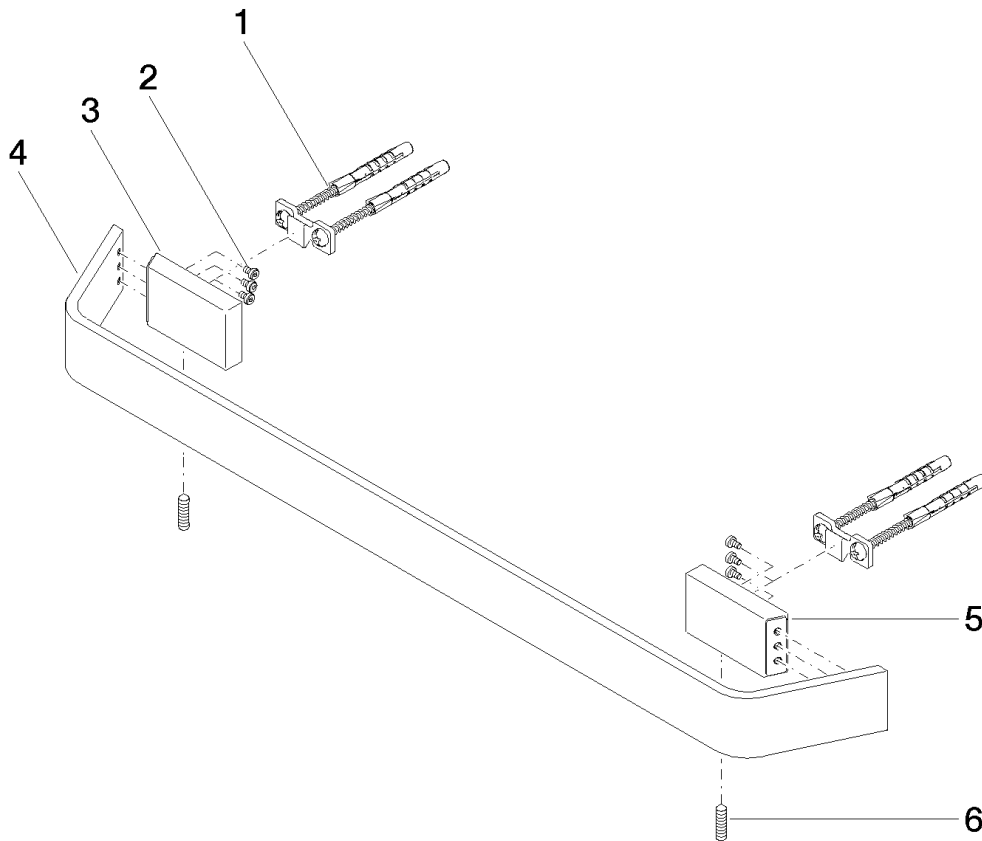
- gauge 449 mm
- width 523mm
- height 35 mm
- 70 mm projection



Surfaces

- chrome 83045705-00
- platinum matt 83045705-06

Exploded assembly drawing



Order quantity

No.	Article number	Name	Installation quantity
1	0517207580090	fixing set	2
2	09303019190	screw	6
3	081770500ff	holder	1
4	081770551ff	bar	1
5	081770501ff	holder	1
6	0431111130090	pin	2