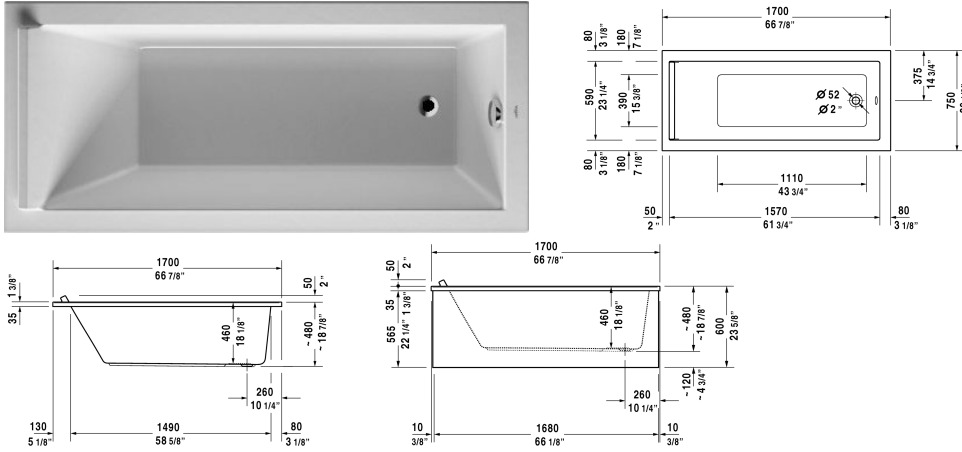


**Starck Tubs/Shower trays Bathtub # 70033500000090**

| < 66 7/8" Inch > |



Bathtub	Dimension	Weight	Order number
rectangle, drop-in or for panel, with one backrest slope, cUPC® listed*, Sanitary acrylic			
<b>Colors</b>			
00 White			
<b>Variant</b>			
Base tub	66 7/8" x 29 1/2" Inch	63.9 lb	70033500000090
<b>Infobox</b>			
* Complies with the following standards: CSA B45.5/IAPMO Z124			
<b>Suitable panels</b>			
Panel for niche (alcove), for # 700334 (66 7/8" x 27 1/2"), for # 700335 (66 7/8" x 29 1/2"), for # 700336 (66 7/8" x 31 1/2"), for # 700337 (66 7/8" x 35 3/8")	66 1/2" Inch		ST8938
Panel for back-to-wall, for # 700335 (66 7/8" x 29 1/2")	29 1/8" x 66 1/8" Inch		ST8777
Panel for corner right, for # 700335 (66 7/8" x 29 1/2")	29 1/8" x 66 1/2" Inch		ST8782
Panel for corner left, for # 700335 (66 7/8" x 29 1/2")	29 1/8" x 66 1/2" Inch		ST8787
<b>Suitable products</b>			
Tile flange ,			790112
Cable-driven waste and overflow ,			790220
Bathtub anchors for mounting and support of bathtubs and shower trays, 3 pieces,			790103
Acrylic panel front, for Starck Bathtubs, 67",			701067

**Starck Tubs/Shower trays Bathtub # 700335000000090**

|&lt; 66 7/8" Inch &gt;|

Acrylic panel sidewise, for Starck Bathtubs, 29 1/2",	701072
Stereo transducers (speakers) for bathtubs ,	791818
Support frame (included), for D-Code bathtubs,	790133
Headrest for Starck, material: polyurethane, White,	790010
Waste and overflow brass, Chrome trim,	791255

*All drawings contain the necessary measurements which are subject to standard tolerances. They are stated in inch & mm and are non-binding. Exact measurements, in particular for customized installation scenarios, can only be taken from the finished ceramic piece.*