

# LIVING DISTRICT

Collection: Sonya

Installation manual for:

LD9001D42 BR/BK/PN

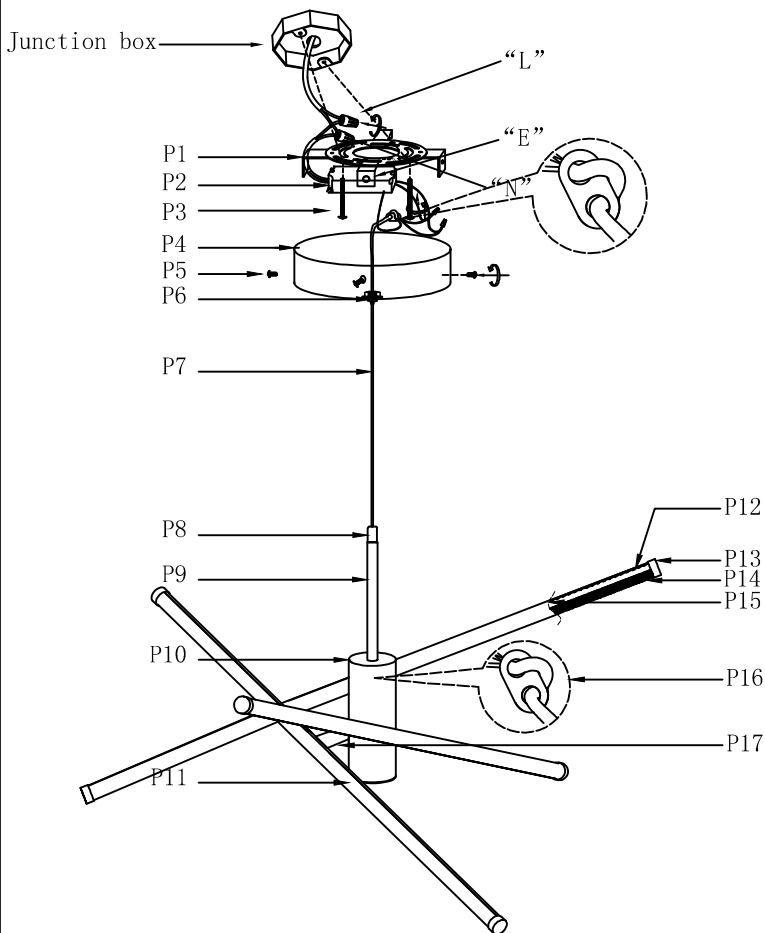
D43.5"H12.5"

## Installation instructions:

1. Black wire from ceiling(junction box) attaches to "L" wire from the fixture.
2. White wire from ceiling(junction box) attaches to "N" wire from the fixture.
3. "E" wire from the fixture is attached to the mounting bracket and an additional "E" wire from the mounting bracket must be secured to the junction box.
4. Secure mounting bracket to the junction box.
5. Insert screws (P5) in side of top unit the mounting bracket.
6. Fix the Mounting bracket(P1) to the Canopy and tighten by the screws(P5).

The end!

## PARTS LIST



"L" = Hot wire  
 "N" = Neutral wire  
 "E" = Ground wire

part	picture	Description	Qty	Check list
P1		L7.6"xW7.6"xH0.6" Mounting bracket	1	
P2		dimable LED driver	1	
P3		5/32-32 Screw	2	
P4		φ7.8"*H1.7" canopy plat	1	
P5		M4*H0.6" Screw	4	
P6		M0.3"*H0.7"connector	1	
P7		0.3mm <sup>2</sup> x78.7" electrical wire	1	
P8		φ0.6"*H0.6" wire fixer	1	
P9		φ0.6"x5.9"iron tube	1	
P10		φ2.3"x5.9"tube	1	
P11		φ2.3"*H0.1"iron cover	1	
P12		φ0.7"x43.3"aluminium tube	3	
P13		φ0.8"*H0.3"aluminium cover	6	
P14		φ0.7"x43.3"plastics cover	3	
P15		LED chip 110V 15W	3	
P16		14*10*2.5mm	2	
P17		φ0.6"*H1.1" universal joint	3	