

LIVING DISTRICT

Collection:

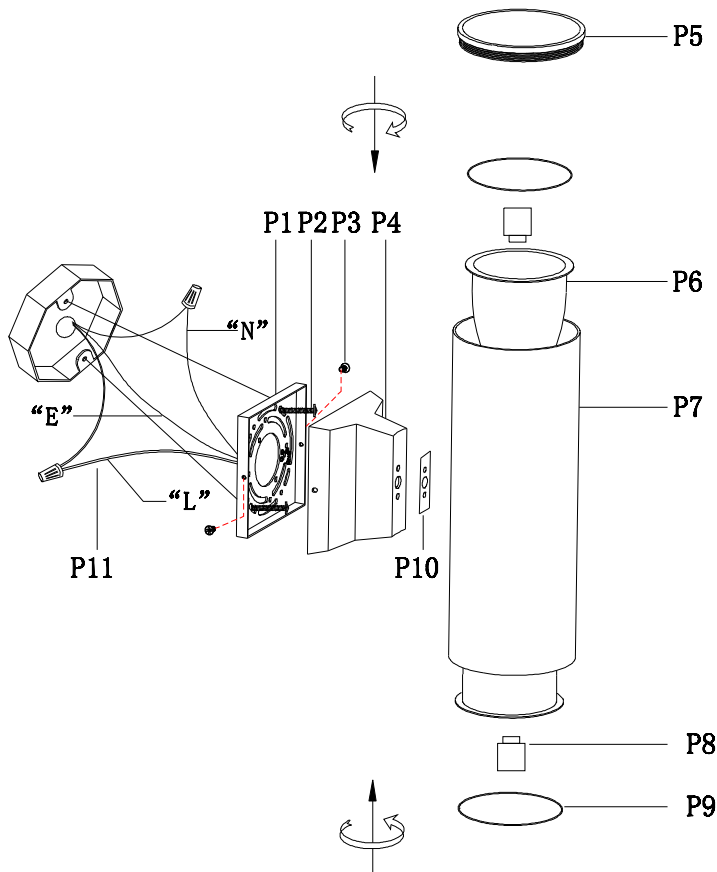
Installation manual for:

LDOD4040 W4.25" H11.75" E6.50" L2

Installation instructions:

1. Black wire from ceiling(junction box) attaches to "L" wire from the fixture.
2. White wire from ceiling(junction box) attaches to "N" wire from the fixture.
3. "E" wire from the fixture is attached to the mounting bracket and an additional "E" wire from the mounting bracket must be secured to the junction box.
4. Secure mounting bracket to the junction box.
5. Insert screws (P2) in the side of the mounting bracket(P1).
6. Align the holes on the side of the base (P4) and secure with the screw (P3)
7. Open the cover (P5), and the install the bulb (not include).

The end!



"L" = Hot wire
 "N" = Neutral wire
 "E" = Ground wire

PARTS LIST

| part | picture | Description | Qty | Check list |
|------|---------|---|-----|------------|
| P1 | | Mounting bracket | 1 | |
| P2 | | 5/32-32 Screw | 2 | |
| P3 | | M4 Screw | 2 | |
| P4 | | Base | 1 | |
| P5 | | Cover | 2 | |
| P6 | | Reflector | 2 | |
| P7 | | Frame | 1 | |
| P8 | | E26 Socket | 1 | |
| P9 | | Silicone rubber | 2 | |
| P10 | | Silicone rubber | 1 | |
| P11 | | Power wire 8" E327219 18AWG BLACK/WHITE | 1 | |
| | | | | |
| | | | | |
| | | | | |
| | | | | |