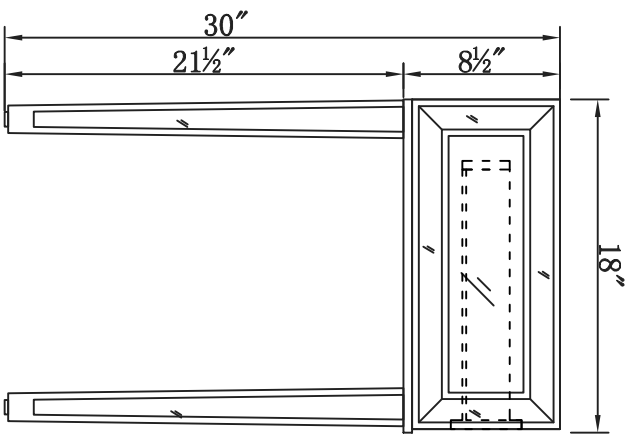


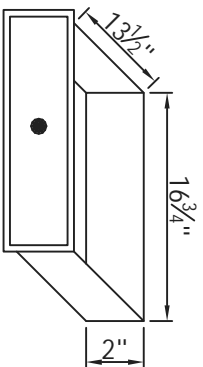
Front view



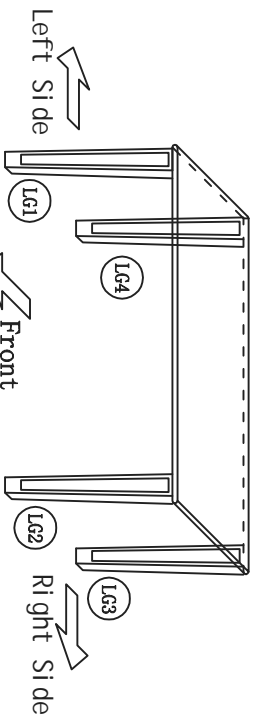
Side view



Top view



Drawer Interior Size



KD leg orientation diagram

DWG. NO.

MODEL NO:

ME72006

SPEC NO:

QUANTITY:

DATE:

CHECKED BY:

FOR PROPOSAL ONLY ALL DIMENSIONS TO BE VERIFIED

PROJECT:

COLOR:

FINISH:

REVISIONS

|   |  |
|---|--|
| 1 |  |
| 2 |  |
| 3 |  |
| 4 |  |
| 5 |  |
| 6 |  |

 ELEGANT FURNITURE & LIGHTING™

500-550 E. Erie Avenue

Philadelphia PA 19134

1-888-388-3390

|                         |                         |                          |              |                          |                      |                                 |         |                              |              |
|-------------------------|-------------------------|--------------------------|--------------|--------------------------|----------------------|---------------------------------|---------|------------------------------|--------------|
| Model #                 | MF72006                 | Number of Doors          | 0            | Table: seating capacity  | 1                    | Felt lined drawers              | N/A     | cabinet interior height      | N/A          |
| Finish                  | antique silver paint    | Finish Back              | YES          | upholstery color         | N/A                  | drawer glide extension          | N/A     | cabinet interior width       | N/A          |
| Hand Painted            | Yes                     | Hardware Finish          | Crystal      | upholstery pattern       | N/A                  | drawer glide material           | N/A     | cabinet interior depth       | N/A          |
| Mirror type             | Clear mirror            | Assembly                 | Yes, legs    | cushion material         | N/A                  | drawer dividers                 | N/A     | leg height                   | 21-1/2"      |
| Beveled glass           | Yes                     | Product Width(")         | 42           | base finish              | antique silver paint | Drawer Interior finish          | Silver  | leg width                    | 2"           |
| Frame material          | Solid wood and MDF      | Product Depth(")         | 18           | powder coated finish     | NO                   | Ball Bearing Glides             | NO      | leg depth                    | 2"           |
| Solid wood construction | Solid wood legs         | Product Height(")        | 30           | base material            | MDF                  | soft close drawer glides        | NO      | glass finish                 | Clear        |
| Drawers Included        | YES                     | Package LENGTH (")       | 46.125       | top material             | MIRROR               | Number of cabinets              | N/A     | stackable                    | NO           |
| Number of Drawers       | 2                       | Package Width(")         | 22.125       | wood species             | Rubberwood           | shelf height                    | N/A     | leg design                   | Squared legs |
| Joinery Type            | SQUARE ENDED BUTT JOINT | Package Height(")        | 15.125       | tip over restraint strap | N/A                  | shelf width                     | N/A     | Armoi res: ring slots        | N/A          |
| Drawer railing          | Wood                    | Package Weight (lbs)     | 76.78        | shape of top             | Rectangle            | shelf depth                     | N/A     | Armoi res: hooks             | N/A          |
| Drawer Width(")         | 18.625                  | Product Weight (lbs)     | 58.08        | lift top                 | NO                   | Shelf thickness                 | N/A     | Armoi res: mirror dimensions | N/A          |
| Drawer Depth(")         | 16                      | Shipping Type            | Small Parcel | shelf material           | N/A                  | Any certification <sup>2</sup>  | NO      | door thickness               | N/A          |
| Drawer Height(")        | 3.875                   | table top width          | 18"          | adjustable shelves       | NO                   | Proposition 65 warning required | YES     | false drawers?               | NO           |
| Shelves                 | NO                      | table top finish         | Clear mirror | Drawer Handle designs    | Knobs                | Drawers Interior Height         | 2"      | sink type                    | N/A          |
| Number of Shelves       | 0                       | glass top tempered       | NO           | Door Knob Model          | KB106                | Drawer Interior Width           | 16-3/4" | # of faucet holes            | N/A          |
| Doors included          | NO                      | table top maximum weight | 33LBS        | safety stop              | YES                  | Drawer Interior Depth           | 13-1/2" |                              |              |

DWG. NO.

MODEL NO:

MF72006

SPEC NO:

QUANTITY:

DATE:

CHECKED BY:

FOR PROPOSAL ONLY ALL DIMENSIONS TO BE VERIFIED

PROJECT:

COLOR:

FINISH:

REVISIONS

|   |  |
|---|--|
| 1 |  |
| 2 |  |
| 3 |  |
| 4 |  |
| 5 |  |
| 6 |  |



500-550 E. Erie Avenue

Philadelphia PA 19134

1-888-388-3390