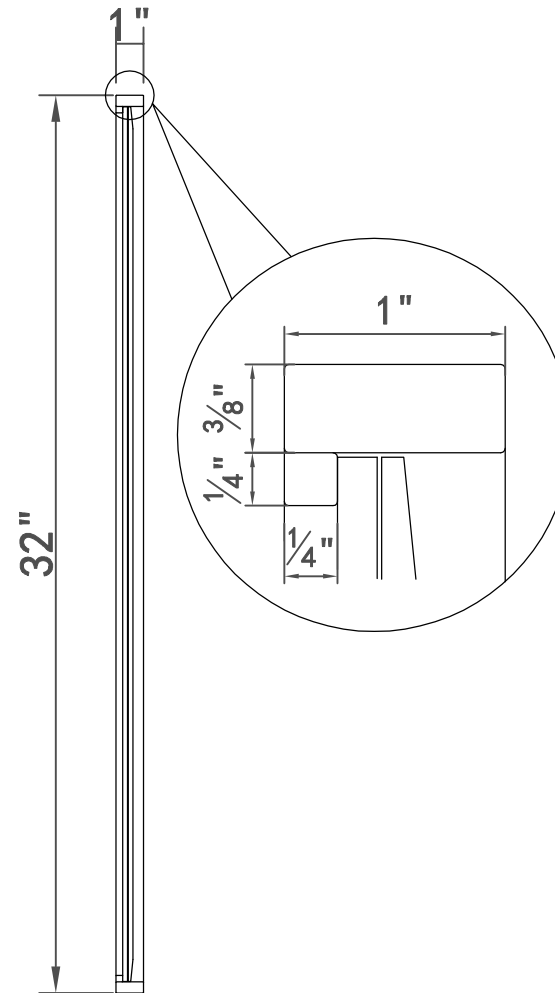


Front view



Side view

DWG. NO.

MODEL NO:

MR4538S

SPEC NO:

QUANTITY:

DATE:

CHECKED BY:

FOR PROPOSAL ONLY ALL DIMENSIONS TO BE VERIFIED

PROJECT:

COLOR:

FINISH:

REVISIONS

- ①
- ②
- ③
- ④
- ⑤
- ⑥

 **ELEGANT**  
FURNITURE & LIGHTING™

500-550 E. Erie Avenue

Philadelphia PA 19134

1-888-388-3390

Mdel #	Product Type	Style	Product Width (in)	Product Depth (in)	Product Height (in)	Mirror Width	Mirror Depth
MR4538S	Mirror	Contemporary	38	1	32	37.125"	0.16"
Mirror Height	Frame shape	Orientation	Frame finish	Frame material	Mounting / attachment type	Number of brackets	Beveled glass
31.25"	hexagon	Vertical and Horizontal	Sliver	Metal and MDF	Metal Inset hanger	4	Yes
Frames	Package LENGTH	Packaged WIDTH	Packaged HEIGHT	Package Weight	Product weight	Shipment Type	
No	42.75	37.25	4.5	46.64	22.44	Small Parcel	

DWG. NO.

MODEL NO:  
MR4538S

SPEC NO:

QUANTITY:

DATE:

CHECKED BY:

FOR PROPOSAL ONLY ALL DIMENSIONS TO BE VERIFIED

PROJECT:

COLOR:

FINISH:

REVISIONS

1

2

3

4

5

6

 ELEGANT  
FURNITURE & LIGHTING™

500-550 E. Erie Avenue  
Philadelphia PA 19134  
1-888-388-3390