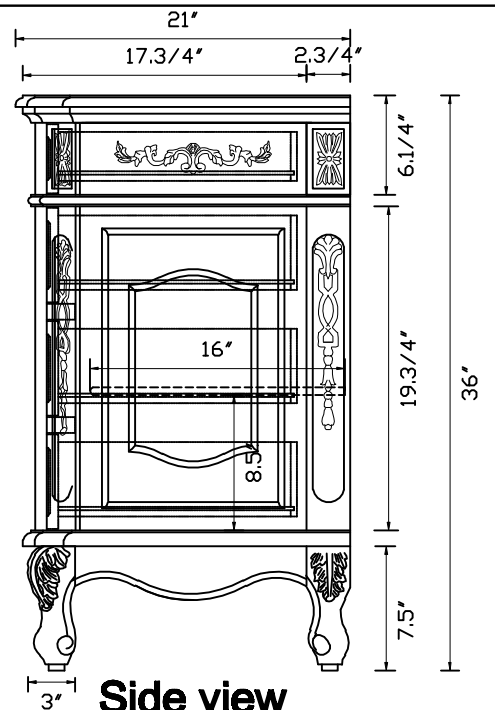
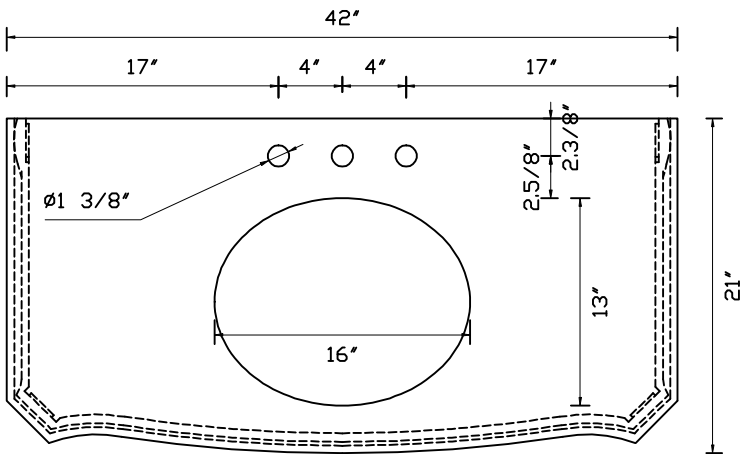


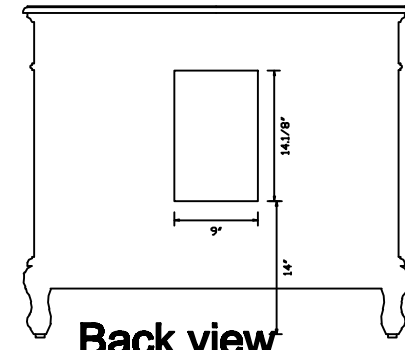
Front view



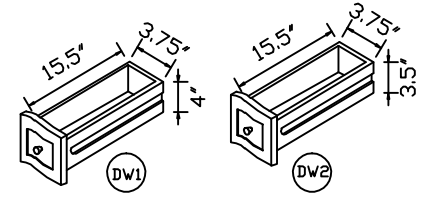
Side view



Top view



Back view



Drawer Interior Size

DWG. NO.
MODEL NO: VF10142TK
SPEC NO:
QUANTITY:
DATE: 12/16/2018
CHECKED BY:
FOR PROPOSAL ONLY ALL DIMENSIONS TO BE VERIFIED
PROJECT:
COLOR:
FINISH:
REVISIONS
①
②
③
④
⑤
⑥
ELEGANT FURNITURE & LIGHTING™
500-550 E. Erie Avenue Philadelphia PA 19134 1-888-388-3390

