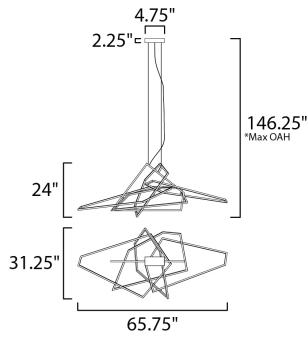




PRODUCT DESCRIPTION

Is it lighting or is it Art? The answer is both. Channels of Polished Chrome are skillfully mitered and assembled to create the ultimate conversation piece. LED strips are installed inside the channels to illuminate the room without annoying glare.



*max overall height

MEASUREMENTS

- DIMENSION : 31.25" L x 65.75" W x 24" H
- MAX OAH : 146.25" OAH
- CANOPY : 4.75" W x 2.25" H x 8.75" L
- HANGING WEIGHT : 17.6 lb

LAMPING

- INPUT VOLTAGE : 100-240V
- LUMENS : 5,600 Rated
- BULB : 1 x 80W LED PCB Integrated , 80W Total
- BULB INCLUDED : (Integrated)
- DIMMABLE : Triac CL
- CRI : 80 CRI
- COLOR_TEMP : 3000K

FINISHES OPTION



MATERIAL

Stainless Steel

RATINGS

NDry Location



ADDITIONAL

ADJUSTABLE
 RATED LIFE 35000 Hours
 OPERATING TEMPERATURE:
 -20°C (-4°F), 40°C (104°F)

Always consult a qualified electrician before installing any lighting product.



WESTERN DISTRIBUTION CENTER (HEADQUARTER)
 253 NORTH VINELAND AVE | CITY OF INDUSTRY, CA 91746
EASTERN DISTRIBUTION CENTER
 4200 SHIRLEY DR. | ATLANTA, GA 30336
 P. 626.956.4200 | F. 626.956.4225 | et2online.com