

Elmwood Park One Light Pendant

6137301 | 1.0

GENERATION LIGHTING

Pendant

CAUTION - RISK OF FIRE
This product must be installed in accordance with the applicable installation code by a person familiar with the construction and operation of the product and the hazards involved.
Use minimum 90°C supply conductors.

GENERAL PRODUCT INFORMATION:

These fixtures are intended to be installed utilizing NEC compliant junction boxes.

This product is safety listed for damp locations.

Incandescent version may be dimmed with a standard incandescent dimmer. LED version may be dimmed with a LED dimmer. Consult lamp manufacturer for additional information.

This instruction shows a typical installation.

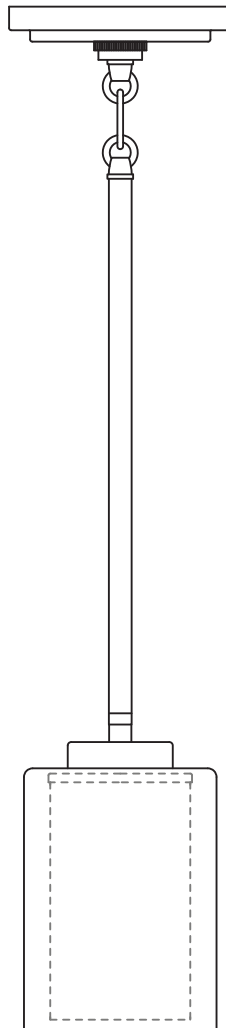
GENERATION LIGHTING

7400 Linder Ave, Skokie, IL 160077

800.969.3347

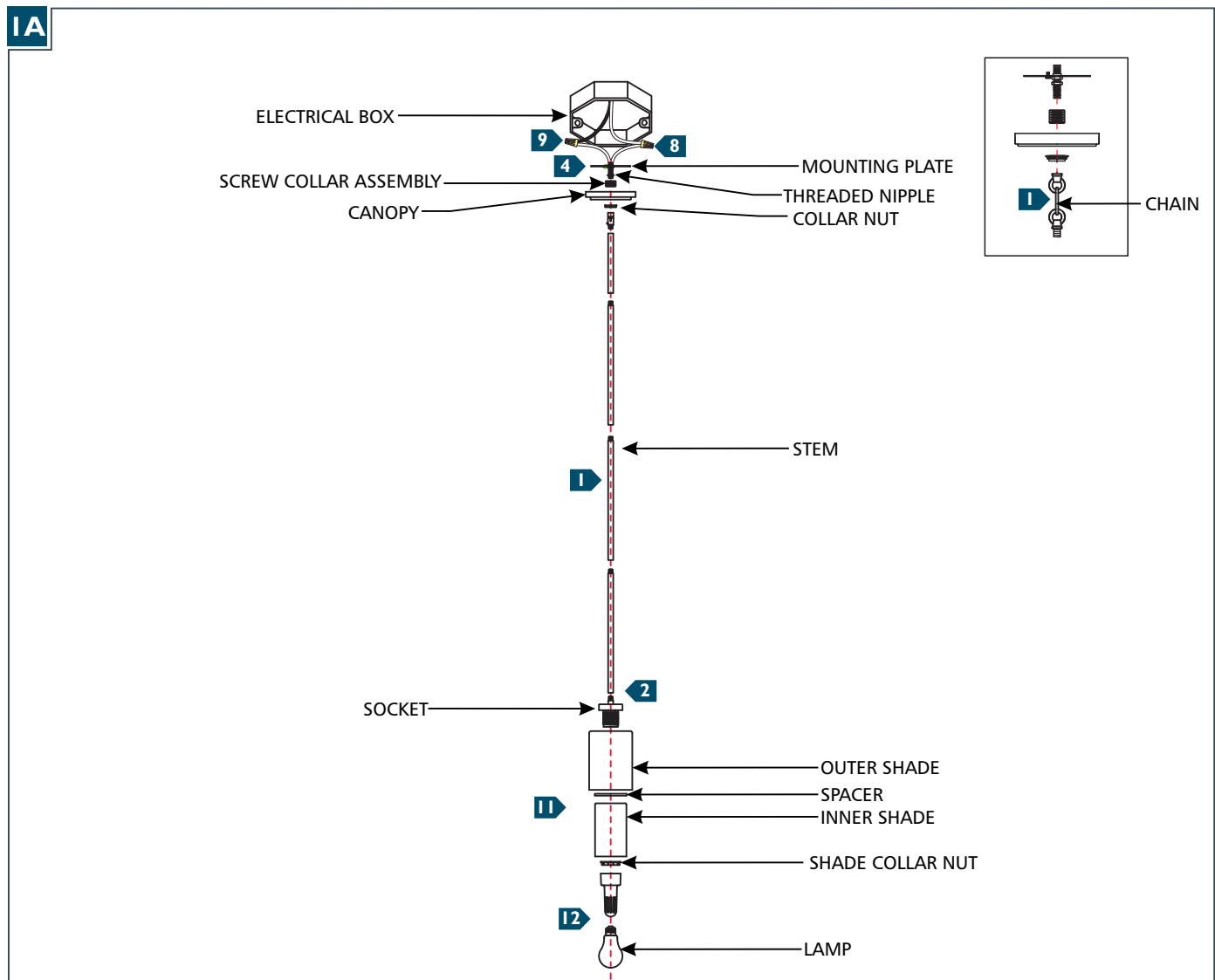
www.generationlighting.com

© 2019 Generation Lighting. All rights reserved.
The "Generation Lighting" graphic is a registered trademark of Generation Lighting. Generation Lighting reserves the right to change specifications for product improvements without notification.



SAVE THESE INSTRUCTIONS!

Install the Fixture



- 1** Determine the wanted height or look of the fixture with the provided swivel, stems, and chain and assemble them by screwing them together. All the parts may be used alone or used in combination.
- 2** Feed the fixture wires through the stems and screw to the fixture tightly.
- 3** Screw the collar nut down until it is loose on the stem, then slide the canopy onto the stem.
- 4** Screw the shorter end of the threaded nipple tightly onto the mounting plate.
- 5** Feed the fixture wires through the mounting plate/nipple assembly and screw it tightly onto the screw collar.
- 6** Align the mounting plate to the electrical box and secure the fixture tightly with two mounting plate screws.
- 7** Connect the fixture to a suitable ground in accordance to local electrical codes.
- 8** Connect the white fixture wire (square and rigid tracer) to the neutral power line wire with a wire nut.
- 9** Connect the black fixture wire (round and smooth tracer) to the hot power line wire with a wire nut.
- 10** Neatly place all the wires into the electrical box, place the canopy onto the ceiling, and secure it in place by screwing the collar nut tightly onto the screw collar.
- 11** Place the outer shade onto the shade base, then place the spacer onto the shade base, then place the inner shade and secure it in place by installing and screwing the shade collar nut onto the socket until snug.
- 12** Screw the lamp in to the socket. Refer to the label on the socket for Max Wattage information.