

Belton I Light Pendant

6514501, 6614501 | 1.2

GENERATION LIGHTING PENDANT

SAVE THESE INSTRUCTIONS!

GENERAL PRODUCT INFORMATION:

These fixtures are intended to be installed utilizing NEC compliant junction boxes.

This product is safety listed for dry locations only.

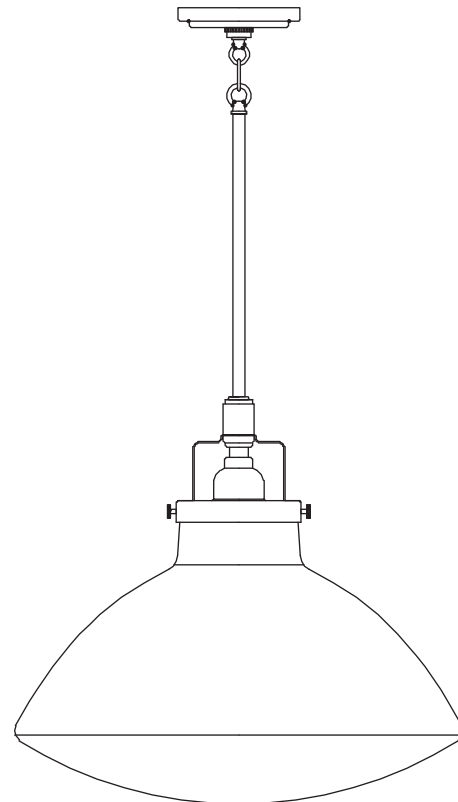
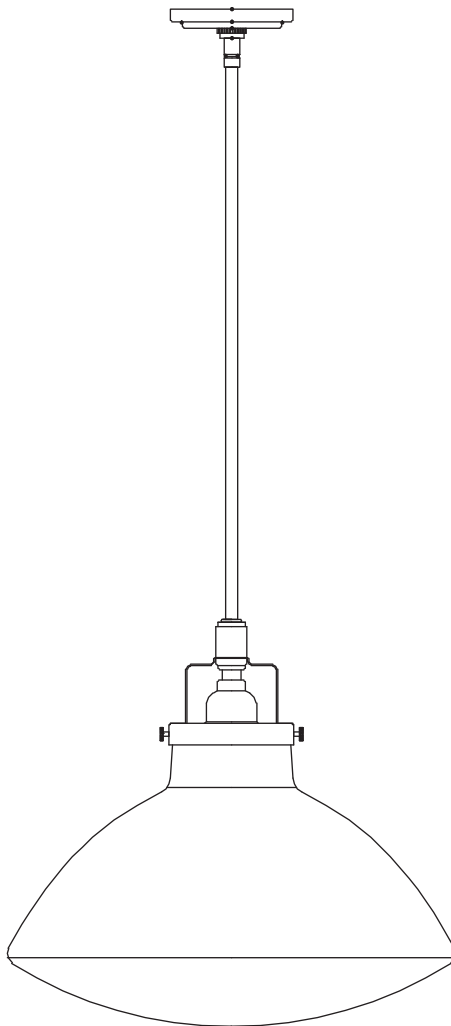
Incandescent version may be dimmed with a standard incandescent dimmer. LED version may be dimmed with a LED dimmer. Consult lamp manufacturer for additional information.

This instruction shows a typical installation.

CAUTION - RISK OF FIRE

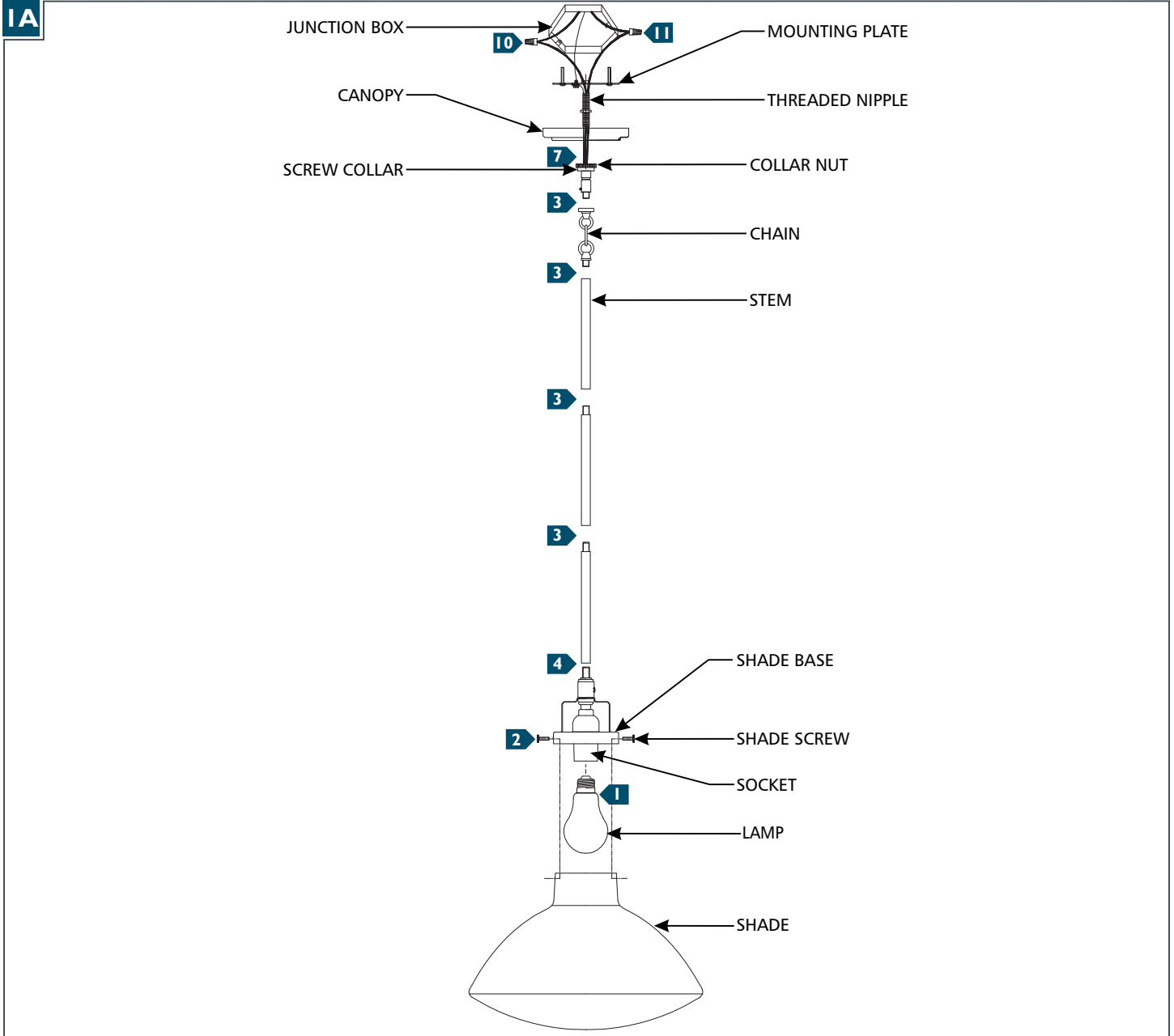
This product must be installed in accordance with the applicable installation code by a person familiar with the construction and operation of the product and the hazards involved.

Use minimum 90°c supply conductors.



GENERATION LIGHTING
7400 Linder Ave., Skokie, IL 60077
T 847.410.4400 | F 847.410.4500
www.generationlighting.com

Install the Fixture



- 1** Screw the lamp into the socket. Refer to the label on the socket for Max Wattage Information.
- 2** Align the holes on the shade with the holes on the shade base and secure it with the shade screws. Repeat for all shades.
- 3** Determine the wanted height or look of the fixture with the provided stems and/or chain and assemble them by screwing them together. All the parts may be used alone or used in combination.
- 4** Feed the fixture wires through the stems/chain and screw the assembly to the fixture.
- 5** Unscrew the collar nut off the screw collar and place it onto the stem/chain followed by the canopy.
- 6** If necessary, screw the threaded nipple tightly onto the mounting plate.
- 7** Feed the fixture wires through the threaded nipple and screw the mounting plate assembly onto the stem/chain assembly.
- 8** Align and secure the mounting plate to the junction box.
- 9** Connect the fixture to a suitable ground in accordance to local electrical codes.
- 10** Connect the white fixture wire (square and/or rigid) to the neutral power line wire with a wire nut.
- 11** Connect the black fixture wire (round and/or smooth) to the hot power line wire with a wire nut.
- 12** Neatly place all the wires into the junction box, place the canopy onto the ceiling, and secure it in place by screwing the collar nut tightly onto the screw collar.