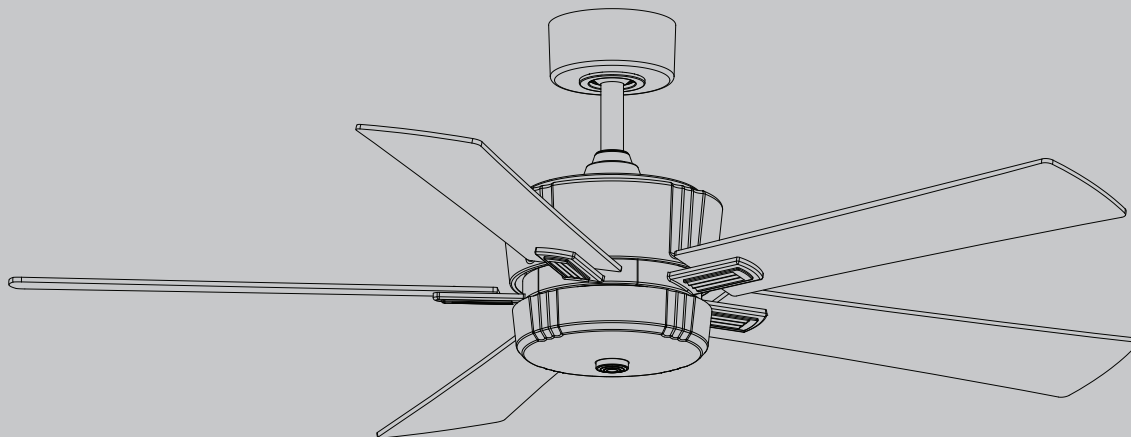


KICHLER®

56" ICON CEILING FAN

Product images may vary slightly from actual product.



READ AND SAVE THESE INSTRUCTIONS

INSTRUCTION MANUAL

Model #300395

Net Weight: 8.63 kg (19.02 lb)
Gross weight: 10.45 kg (23.04 lb)

TABLE OF CONTENTS

SAFETY RULES.....	4	INSTALLING THE LIGHT KIT FIXTURE.....	16
TOOLS AND MATERIALS REQUIRED.....	6	INSTALLING GLASS SHADE.....	16
PACKAGE CONTENTS.....	6	CONTROL SYSTEM SET-UP.....	17
MOUNTING OPTIONS.....	7	BUTTON INSTRUCTIONS.....	19
HANGING THE FAN.....	8	INSTALLING WALL PLATE.....	20
INSTALLATION OF SAFETY SUPPORT (CANADA ONLY).....	11	INSTALLING THE TRANSMITTER.....	21
ELECTRICAL CONNECTIONS.....	12	OPERATING INSTRUCTIONS.....	22
FINISHING THE INSTALLATION.....	14	TROUBLESHOOTING.....	23
ATTACHING THE FAN BLADE ARMS.....	15	FCC INFORMATION.....	24
ATTACHING THE FAN BLADES.....	15		

Read all instructions BEFORE assembly and USE of product
KEEP INSTRUCTIONS FOR FUTURE USE

SAFETY RULES

READ AND SAVE THESE INSTRUCTIONS

WARNING: FOR CANADA, THIS FAN MUST BE SECURED DIRECTLY TO THE BUILDING STRUCTURE/CEILING JOIST. DON'T SECURE THIS FAN TO AN OUTLET BOX.

1. **CAUTION - RISK OF SHOCK -**
Disconnect power at the main circuit breaker panel or main fusebox before starting and during the installation.
2. **WARNING:** This fixture is intended for installation in accordance with the National Electrical Code (NEC) and all local code specifications. If you are not familiar with code requirements, installation by a certified electrician is recommended.
3. **WARNING:** To reduce the risk of fire, electric shock, only use the control provided with fan.
4. **WARNING:** To reduce the risk of fire, electric shock, or Personal Injury mount to an outlet box marked "Acceptable For Fan Support of up to 15.9 kg (35 lb)". For outlet box mounting, use mounting screws (and lock washers) provided with the outlet box. Most outlet boxes commonly used for the support of light fixtures are not acceptable for fan support and may need to be replaced. Due to the complexity of the installation of this fan, a qualified licensed electrician is strongly recommended."

5. All wiring must be in accordance with the National Electrical Code ANSI/NFPA 70 and local electrical codes. Electrical installation should be performed by a qualified licensed electrician.
6. The outlet box and support structure must be securely mounted and capable of reliably supporting a minimum of 15.9 kg (35 lb). Use only CUL Listed outlet boxes marked "FOR FAN SUPPORT".

WARNING: TO REDUCE THE RISK OF FIRE, ELECTRIC SHOCK OR PERSONAL INJURY, MOUNT FAN TO OUTLET BOX MARKED "ACCEPTABLE FOR FAN SUPPORT".

7. **CAUTION:** The fan must be mounted with a minimum of 2.1m (7 feet) clearance from the trailing edge of the blades to the floor.
8. To operate the reverse function on this fan, press the reverse button while the fan is running.
9. Avoid placing objects in the path of the blades.
10. To avoid personal injury or damage to the fan and other items, be cautious when working around or cleaning the fan.
11. **WARNING:** Make sure the power is disconnected before cleaning the fan.

SAFETY RULES (continued)

12. Do not use water or detergents when cleaning the fan or fan blades. A dry dust cloth or lightly dampened cloth will be suitable for most cleaning.
13. After making the electrical connections, spliced conductors should be turned upward and pushed carefully up into outlet box. The wires should be spread apart with the grounded conductor and the equipment-grounding conductor on one side of the outlet box and the ungrounded conductor on the other side of the outlet box.
14. Electrical diagrams are reference only. Light Kits that are not packed with the fan must be cULus listed and marked suitable for use with the model fan you are installing. Switches must be cULus General Use Switches. Refer to the Instructions packaged with the light kits and switches for proper assembly.
15. All set screws must be checked, and re-tightened where necessary, before installation.

WARNING: TO REDUCE THE RISK OF PERSONAL INJURY, DO NOT BEND THE BLADE BRACKETS (ALSO REFERRED TO AS BLADE ARMS) DURING ASSEMBLY OR AFTER INSTALLATION. DO NOT INSERT OBJECTS IN THE PATH OF BLADES.



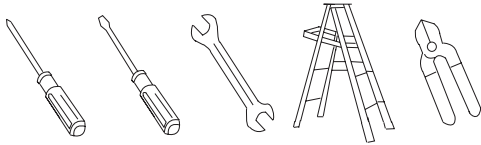
16. **WARNING: Chemical Burn Hazard.** Keep batteries away from children.; and

This product contains a lithium button/coin cell battery. If a new or used lithium button/coin cell battery is swallowed or enters the body, it can cause severe internal burns and can lead to death in as little as 2 hours. Always completely secure the battery compartment. If the battery compartment does not close securely, stop using the product, remove the batteries, and keep it away from children. If you think batteries might have been swallowed or placed inside any part of the body, seek immediate medical attention.

- a) The cells shall be disposed of properly, including keeping them away from children; and
- b) Even used cells may cause injury.

TOOLS REQUIRED

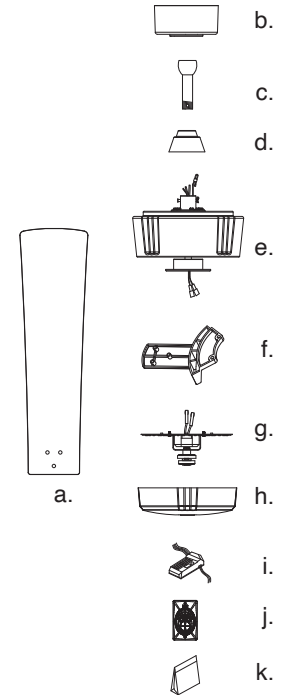
- Philips screw driver
- Blade screw driver
- 11mm wrench
- Step ladder
- Wire cutters



PACKAGE CONTENTS

Unpack your fan and check the contents.
You should have the following items:

- Fan blades (5)
- Canopy
- Ball/Downrod assembly
- Coupling cover
- Fan motor assembly
- Blade arms (5)
- Light kit assembly
- Glass shade assembly
- Receiver
- Wall transmitter
- Parts bag contents:
 - Mounting hardware:
Star washers (2), wire nuts (3), machine screws (2), washers (2), wood screws (2)
 - Blade attachment hardware:
blade screws (16), blade arm screws (11), fiber washers (16)
 - Safety cable hardware:
wood screw, lock washer, flat washer
 - Balancing kit



MOUNTING OPTIONS

If there isn't an existing UL (cUL for Canadian Installation) listed mounting box, then read the following instructions. Disconnect the power by removing fuses or turning off circuit breakers.

Secure the outlet box directly to the building structure. Use appropriate fasteners and building materials. The outlet box and its support must be able to fully support the full weight of the fan (up to 15.9 kg (35 lb)). Do not use plastic outlet boxes.

Figures 1, 2, and 3 are examples of different ways to mount the outlet box.

NOTE: If you are installing the ceiling fan on a sloped (vaulted) ceiling, you may need a longer downrod to maintain proper clearance between the tip of the blade and the ceiling. A minimum clearance of 12" is suggested for optimal operation.

NOTE: Depending on the location you have selected for installation, you may need to purchase and install a "Joist Hanger" for the support of the outlet box. Make sure the joist hanger you purchase has been designed for use with ceiling fans. (Fig. 4)

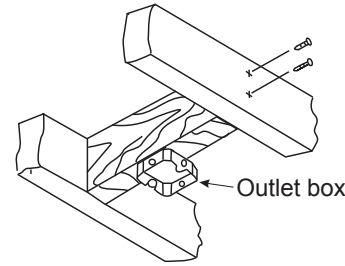


Fig. 1

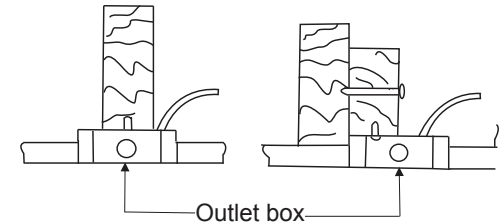


Fig. 2

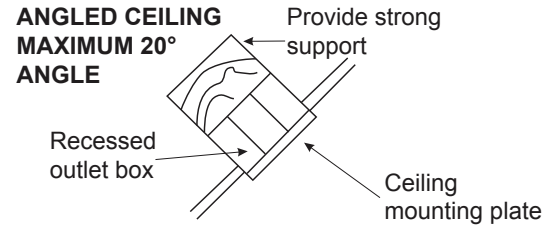
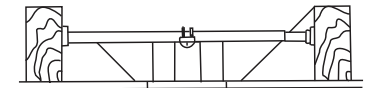


Fig. 3



Outlet box Fig. 4

HANGING THE FAN

NOTE: FOR CANADA, THIS FAN MUST BE SECURED DIRECTLY TO THE BUILDING STRUCTURE/CEILING JOIST. DON'T SECURE THIS FAN TO AN OUTLET BOX. (see Fig. 6A)

REMEMBER to turn off the power before you begin.

To properly install your ceiling fan, follow the steps below.

Step 1. Remove the decorative canopy bottom cover from the canopy by turning the cover counterclockwise. (Fig. 5)

Step 2. Remove the ceiling mounting bracket from the canopy by removing (and save) one of the two screws. Loosen the remaining screw by a half turn. (Fig. 5)

Step 3. Pass the 120 volt supply wires from the ceiling outlet box through the center of the ceiling mounting bracket. (Fig. 6)

Step 4. Attach the ceiling mounting bracket to the outlet box using the screws and washers included with the outlet box. (Fig. 6)

Step 4A. Secure the mounting bracket directly to a joist from the building structure. Use only the appropriate wood screws and lock washers included with your fan. (Fig. 7)

NOTE: THIS STEP IS ONLY FOR CANADA.

CAUTION: The hanger bracket must be installed directly to the building joist using the two wood screws and washers provided. (Fig. 7)

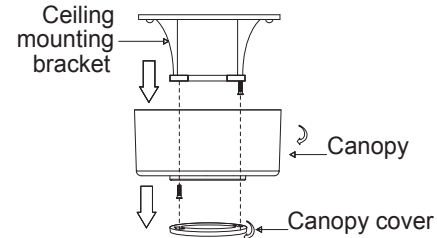


Fig. 5

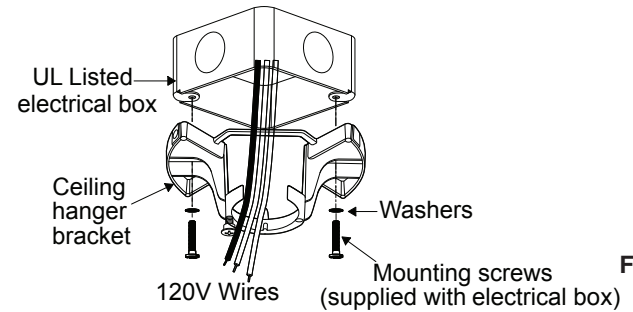


Fig. 6

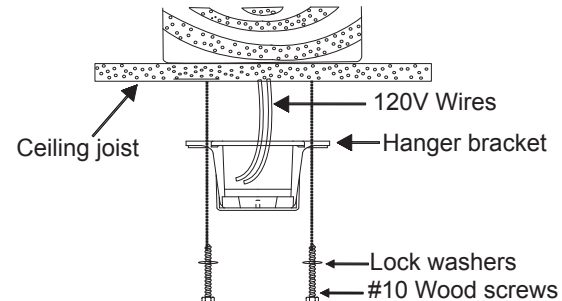


Fig. 7

HANGING THE FAN (continued)

Step 5. Remove the hanger ball from the downrod assembly by loosening the set screw, unscrewing and removing the cross pin and unscrewing the ball off the rod. (Fig. 8)

Step 6. Loosen the two set screws and remove the hitch pin and retaining clip from the coupling on top of the motor assembly. (Fig. 9)

Step 7. Carefully feed the electrical lead wires from the fan up through the downrod. Thread the downrod into the coupling until the hitch pin holes align.

Next, replace the hitch pin and retaining clip. Tighten both set screws. (Fig. 9)

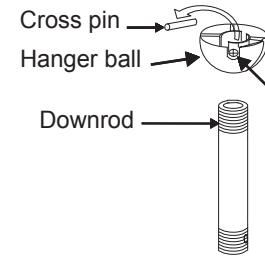


Fig. 8

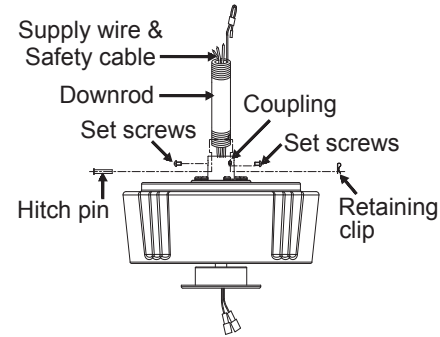


Fig. 9

HANGING THE FAN (continued)

Step 8. Slip the coupling cover, canopy cover and canopy onto the downrod. (Fig. 10)

Thread the hanger ball onto the downrod, insert the cross pin through the downrod and tighten. Tighten the set screw.

Step 9. Lift the motor assembly into position and place the hanger ball into the ceiling mounting bracket.

Rotate the entire assembly until the “Check Tab” has dropped into the “Registration Slot” and seats firmly. (Fig. 11)

The entire motor assembly should not rotate (left or right) when seated properly.

WARNING: Failure to reattach the cross pin and seat the “Check Tab” can cause the fan to fall from the ceiling during operation. Take special care to make sure this pin is reattached.

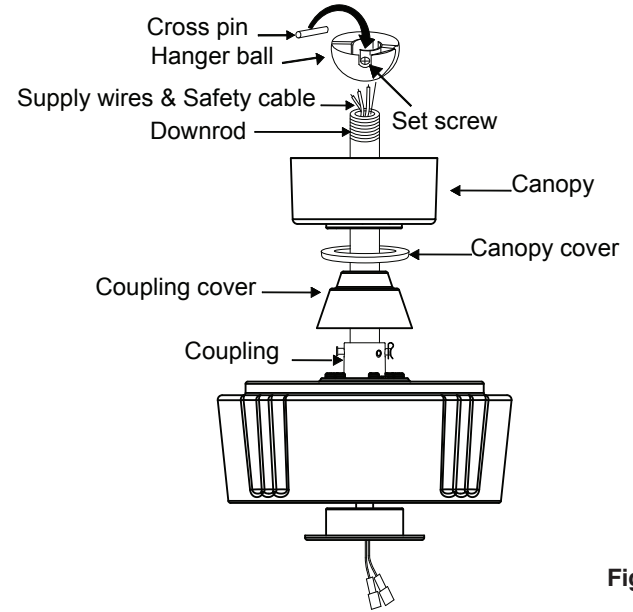


Fig. 10

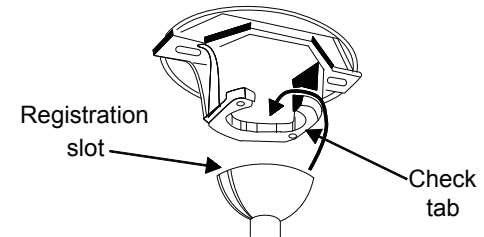


Fig. 11

INSTALLATION OF SAFETY SUPPORT (Required for Canadian installation ONLY)

A safety support cable is provided to help prevent the ceiling fan from falling, please install it as follows.

Step 1. Attach the provided wood screw and washers to the ceiling joist next to the mounting bracket but do not tighten. (Fig. 12)

Step 2. Adjust the length of the safety cable to reach the screw and washers by pulling the extra cable through the cable clamp until the overall length is correct, put the end of the cable back through the cable clamp, forming a loop at the end of the cable. Tighten the cable clamp securely. Now, put the loop in the end of the safety cable over the wood screw securely.

NOTE: Although the safety support cable is required for Canadian installations only, it's a good idea to make the attachment with any installation.

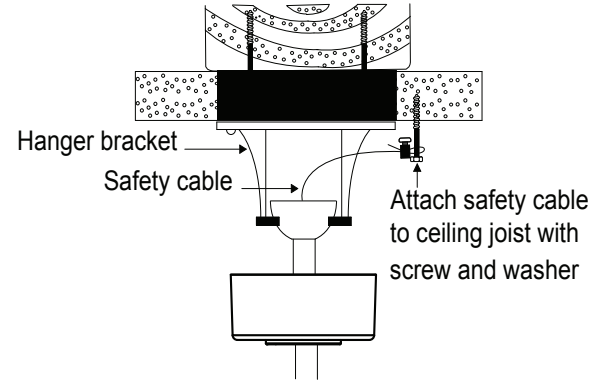


Fig. 12

ELECTRICAL CONNECTIONS

WARNING: Carefully read and retain this Instruction Manual for future reference.

WARNING: To avoid possible electrical shock, be sure the electricity is turned off at the main panel by removing the fuse or opening the circuit breaker.

WARNING: This control is designed for use with “DC Motor Ceiling Fans” ONLY. DO NOT use with any other type of electrical appliance.

WARNING: All wiring must conform to national and local electrical codes. If you feel you do not have enough electrical knowledge, have a licensed electrician install the control.

Step 1. Insert the receiver into the ceiling mounting bracket with the flat side of the receiver facing the ceiling. (Fig. 13)

For best performance, make sure the Black antenna, on the end of the receiver, remains extended and not tangled with any of the electrical wires.

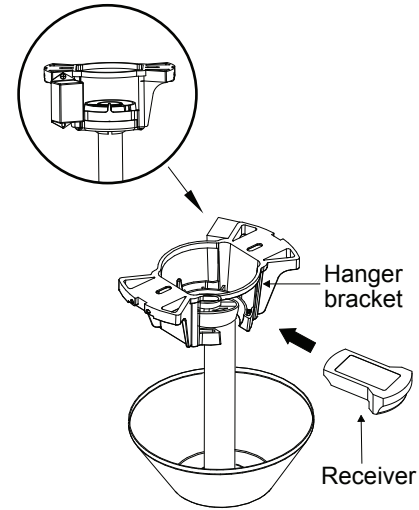


Fig. 13

ELECTRICAL CONNECTIONS (continued)

A. Fan wire connection (Fig. 14)

Connect the orange wire from the fan to the orange wire on the receiver.

Connect the brown wire from the fan to the brown wire on the receiver.

Connect the grey wire from the fan to the grey wire on the receiver.

Connect the blue wire from the fan to the blue wire on the receiver.

Connect the white wire from the fan to the white wire on the receiver.

Secure the wire connections with the plastic wire nuts provided.

Align the black wire from the receiver to the brown wire from the filter, align the white wire from the receiver to the blue wire from the filter, then connecting the molded adaptor together.

Connect the black (hot) wire from the ceiling to the brown wire from the filter box.

Connect the white (Neutral) wire from the ceiling to the blue wire from the filter box.

Secure the wire connections with the plastic wire nuts provided.

If your outlet box has a ground wire (green or bare copper) connect it to the fan ground wires; otherwise connect the hanging bracket ground wire to the mounting bracket. Secure the wire connection with a plastic nut provided. After connecting the wires, spread them apart so that the green and white wires are on one side of the outlet box and black and blue wires are on the other side. Carefully tuck the wire connections up into the outlet box.

NOTE: Remember to cut off excess lead wire from fan body before wiring in order to install receiver and canopy easily.

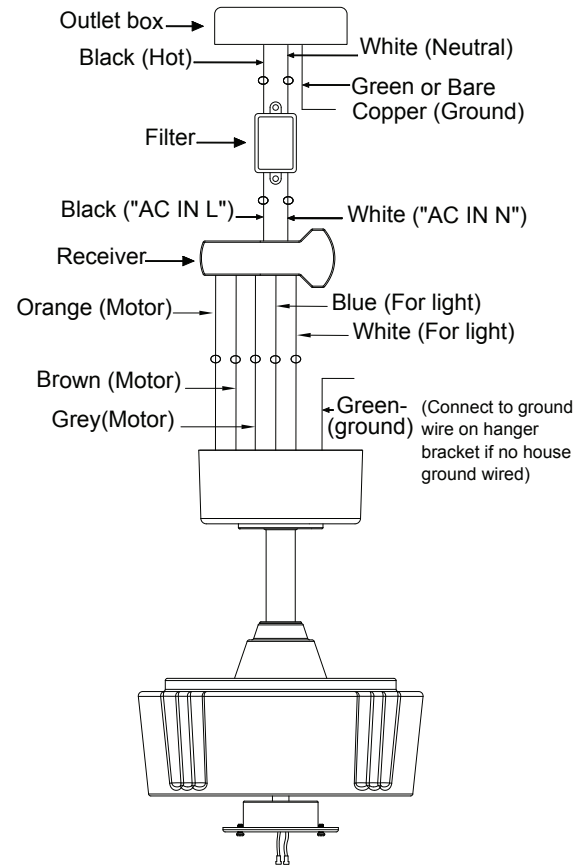


Fig. 14

FINISHING THE INSTALLATION

Step 1. Tuck all the connections neatly into the ceiling outlet box.

Step 2. Slide the canopy up to the mounting bracket and place one of the key hole slots over the mounting screw on the mounting bracket. Rotate the canopy until the screw head locks in place at the narrow section of the key hole. (Fig.15)

Step 3. Align the remaining circular hole on the canopy with the remaining hole on the Ceiling Mounting Bracket. Insert and tighten the mounting screw you removed earlier and the mounting screw from step 2 above. Now, attach the canopy cover to the mounting screw heads by inserting the screw heads into the bottom side of the canopy cover and rotating the cover clockwise.

NOTE: Adjust the canopy screws as necessary until the canopy and canopy cover are snug.

WARNING: Make sure the “Check Tab” at the bottom of the hanger bracket is properly seated in the “Registration Slot” on the side of the hanger ball before attaching the canopy to the bracket. Failure to properly seat the “Check Tab” could damage the electrical wires when the ceiling fan blade direction is changed while the fan is running.

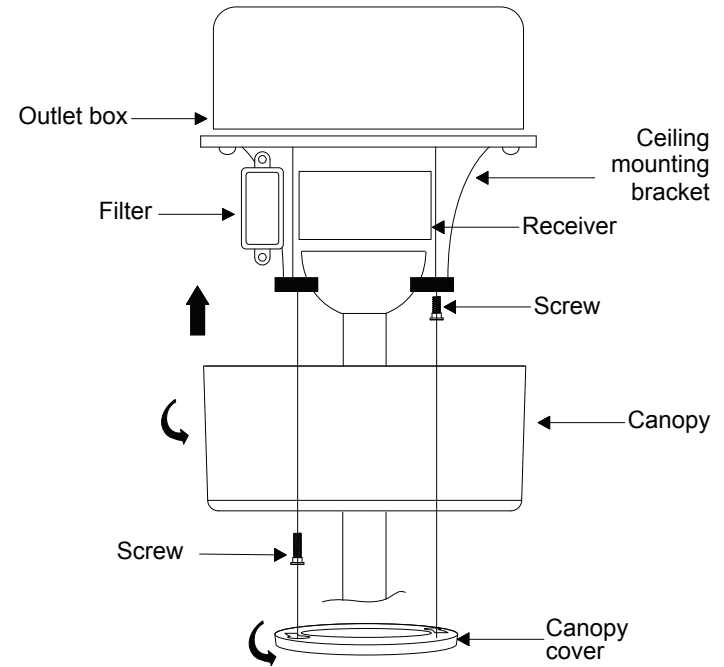


Fig. 15

ATTACHING THE FAN BLADE ARMS

Step 1. Fasten the blade arm to the fan motor assembly by tightening the blade arm screw onto the fan motor assembly. (Fig. 16)

Step 2. Repeat this procedure for the remaining four blade arms.

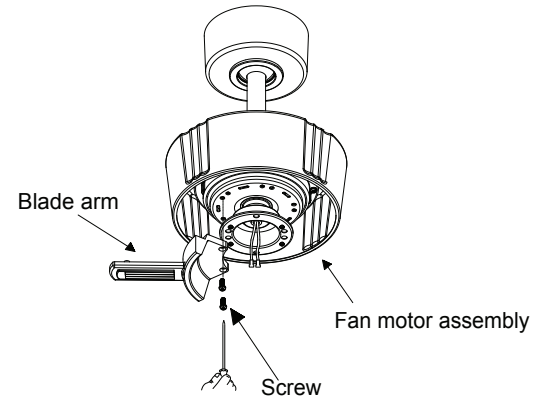


Fig. 16

ATTACHING THE FAN BLADES

Step 1. Align the holes from the blade and washer to the holes from the blade arms, and secure the blade in place with screws provided. (Fig. 17)

Step 2. Repeat these steps for the remaining four blades.

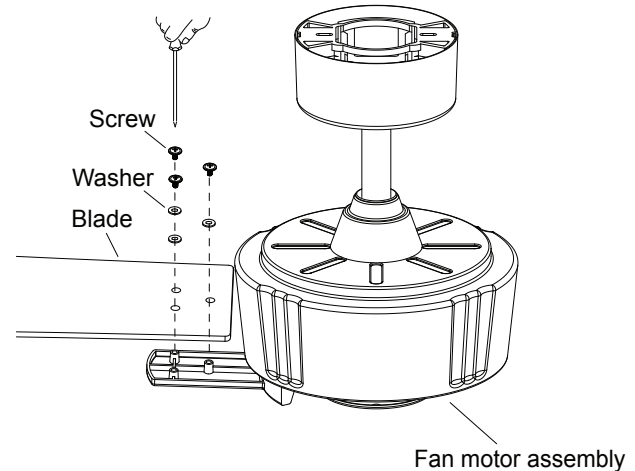


Fig. 17

INSTALLING THE LIGHT KIT FIXTURE

CAUTION: “To reduce the risk of electric shock, disconnect the electrical supply circuit to the fan before installing light kit.”

Step 1. Remove the finial, and nut from the threaded nipple of the light kit fixture assembly. (Fig. 18)

Step 2. Loosen, remove, and save the four screws on the mounting ring, attached to the motor shaft. Connect the wire from the light kit fixture assembly to the wire from the fan motor assembly by connecting the molded adaptor plug together.

Step 3. Align the screw holes from the light kit pan with the screw holes on the mounting ring of the fan motor assembly. Reinstall and tighten the four screws previously removed in step 2 securely. (Fig. 19)

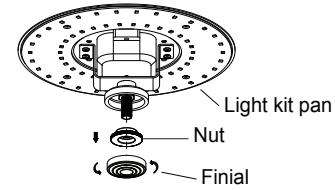


Fig. 18

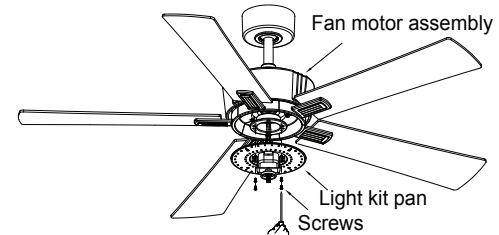


Fig. 19

INSTALLING THE GLASS SHADE

Raise the glass shade against the light plate and secure by tightening the nut and finial. (Fig. 20)

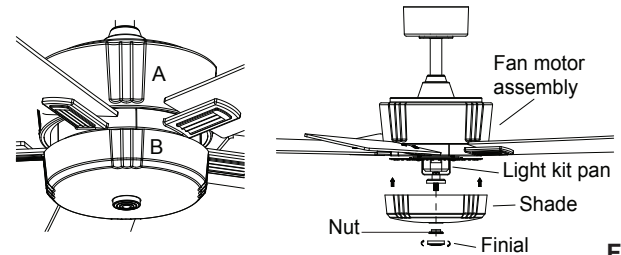



Fig. 20

CONTROL SYSTEM SET-UP

 **WARNING: Chemical Burn Hazard. Keep batteries away from children.**

 **WARNING: Make sure the power is completely disconnected before you begin this procedure.**

SPECIAL NOTE: Your new Kichler® Ceiling Fan is state of the art and employs a high efficiency DC (direct current) motor with an advanced CoolTouch™ remote control system. The DC motor uses 70% less energy than a conventional ceiling fan AC induction motor. The DC motor is “digitally” controlled and operates differently than conventional ceiling fan motors.

Please read this portion of the manual completely before proceeding.

Our CoolTouch™ Control System includes an “automatic frequency selection” feature. To set the control frequency and program the control system, follow these steps:

Open the back of the transmitter by loosening the screw (figure 21). The frequency selector is a “dip switch block” inside the battery compartment of the transmitter (see figure 22). You change frequencies by arranging the small switches numbered 1 through 4 in a up or down position. 16 Possible frequencies or combinations are possible. The fifth switch, marked D and X sets the system for operation with incandescent or fluorescent lamps. It is essential to set this switch correctly. If your ceiling fan is equipped with incandescent lamps set this switch to the D position, for fluorescent lamps, set the switch to the X position. If these settings are reversed, the lighting control system will operate erratically and could damage your ceiling fan.

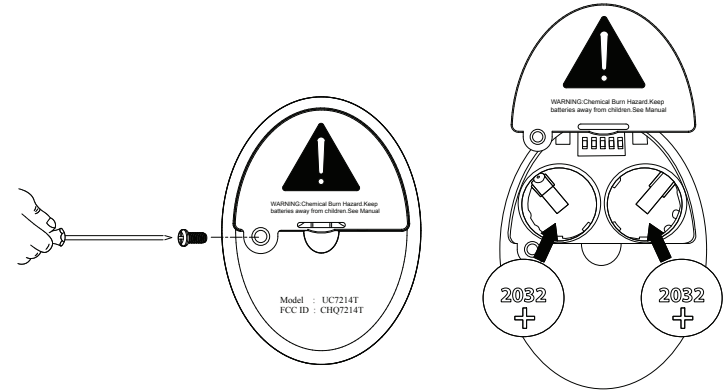


Fig. 21

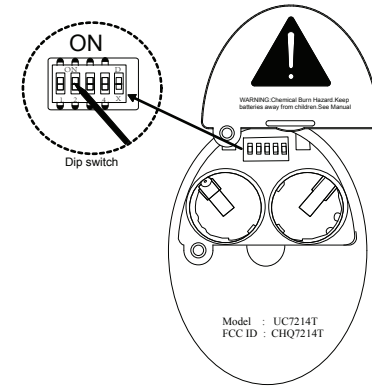


Fig. 22

System programing: Read all of these steps before proceeding.

Each step must be followed exactly to properly program the control system.

1. You can leave the frequency switches at the factory setting or move them to any combination of up or down. Use a small flat bladed screwdriver to move the switches.
2. Insert both batteries and make sure they are seated correctly in each recess with the positive + sign facing up. Replace the battery cover. (Figure 21)
3. Test the transmitter by pushing and releasing ANY button briefly. A Blue Light should illuminate under the 3-4 buttons. (Fig. 23) If not, check to make sure the batteries are inserted and seated correctly.

Power Up and Programming:

4. Follow the below steps to set the remote control:

The auto learning function will only mandate within 60 seconds when turning the fan's AC power ON. (Figure 24)

5. Select desired frequency from the back of transmitter.
6. From the back of the transmitter, press and hold the "hold" button for 5+ seconds. Once the receiver has detected the frequency, the light will flash twice, and the fan will automatically begin to operate and start to rotate in the counter clockwise direction and on the highest RPM for 3 minutes. When counterclockwise rotation has finished, the fan will automatically reverse to clockwise direction again to the highest RPM for 3 minutes. Fan will shut off when the self calibration test has finished. The total self calibration test will last about 6 minutes.

NOTE: If the self calibration test failed, turn the AC power off; restore power and process the self calibration test again.

NOTE: During self calibration test, the remote is non-fuctional.

NOTE: The learning frequency function and self calibration test will continue to retain the last set frequency and calibration set even when the AC power is shut off. If the frequency is changed the self calibration test will occur again.

7. Your CoolTouch™ Control System is now programmed and ready for use. Please see the Operating Instructions.

The receiver provides the following protective function:

1. Lock position: The DC motor has a built-in safety against obstruction during operation. If there is an obstruction, the motor will stop and then the power will automatically go off in 30 seconds. Remove the obstruction and reset.
2. Over 80W protection: When the receiver detects motor power consumption which is greater than 80W, the receiver power will be stopped and operation will immediatly discontinue. Wait for 5 seconds and then turn the receiver power back on.



Fig. 23

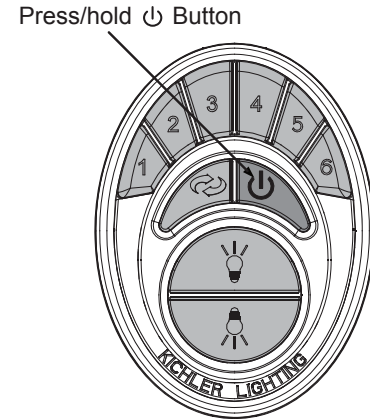


Fig. 24

BUTTON INSTRUCTIONS

Figure 25

Buttons 1, 2, 3, 4, 5 and 6 are used to set the blade speed as follows:

- 1 = Low Speed
- 2 = Medium Low Speed
- 3 = Medium Speed
- 4 = Medium High Speed
- 5 = High Speed
- 6 = Extra High Speed

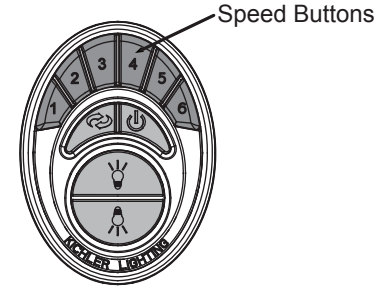


Fig. 25

Figure 26

The "MOTOR OFF" button:

This button turns the fan motor off and is also used in the program procedure.

The "LIGHT CONTROL " button:

This button turns the bottom light ON or OFF and also controls the brightness setting. Press and hold either button to set the desired brightness level. The next time you turn the light on, the system will remember this setting. Press and release either button to turn the light ON or OFF.

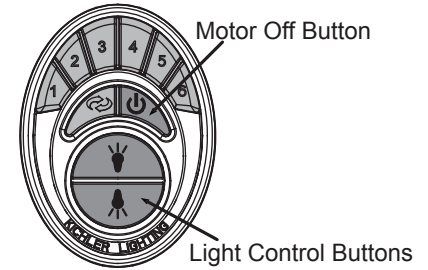


Fig. 26

Figure 27

The "FORWARD/REVERSE " button is used to set the fan in forward or reverse operation. Each time you press this button the fan blades will reverse direction. This button functions ONLY when the fan blades are in motion.

OPERATIONAL NOTE: Each time you start the blades rotating, at any speed or reverse, the direction of the blades the Control System will do a "Self Check" to ensure operational integrity. The blades will rotate slowly a short distance ($\frac{1}{4}$ turn), pause, change directions, rotate $\frac{1}{4}$ turn, then build up RPM'S to the selected speed. This is a perfectly normal procedure and ensures normal operating performance

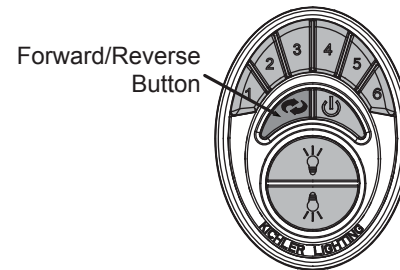


Fig. 27

INSTALLING THE COOL TOUCH™ CONTROL SYSTEM WALL PLATE

Select a location to install the Wall Control System Transmitter and Wall Plate.

WARNING: All wiring must be in accordance with the National Electrical Code and local electrical codes. Electrical installation should be performed by a qualified licensed electrician.

Select a location to install your CoolTouch™ Control System Transmitter. You can replace an existing wall switch or, install the transmitter on ANY flat surface.

Option 1: Install the control system using an existing wall switch outlet box. Make sure the electrical power is TURNED OFF at the main panel before continuing.

NOTE: Switch installation must comply with all local and national electric codes.

Step 1. Remove the existing wall plate and the old switch from the wall outlet box. Wire nut the BLACK leads (hot) together and push back inside the outlet box. (Fig. 28)

Step 2. Install the metal plate and CoolTouch™ wall plate to the existing wall outlet box with 4 screws provided. Then place the two plastic plugs into the wall plate. (Fig. 29)

Option 2: Install the control system on ANY flat surface.

Select the desired location and use the CoolTouch™ wall plate to mark the location for the mounting holes. Use the dry wall anchors and/or screws provided and finish the installation.

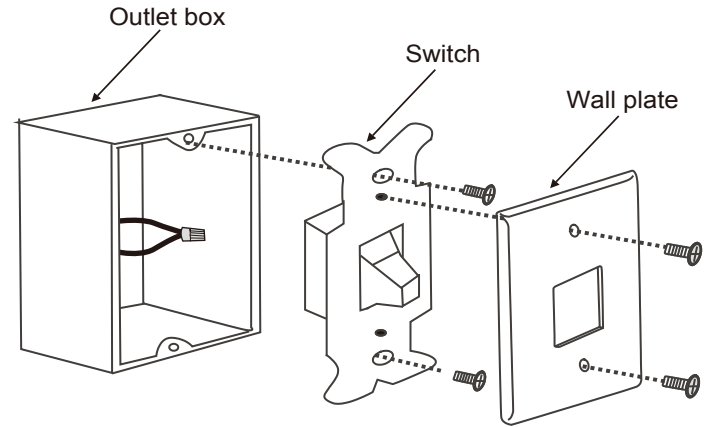


Fig. 28

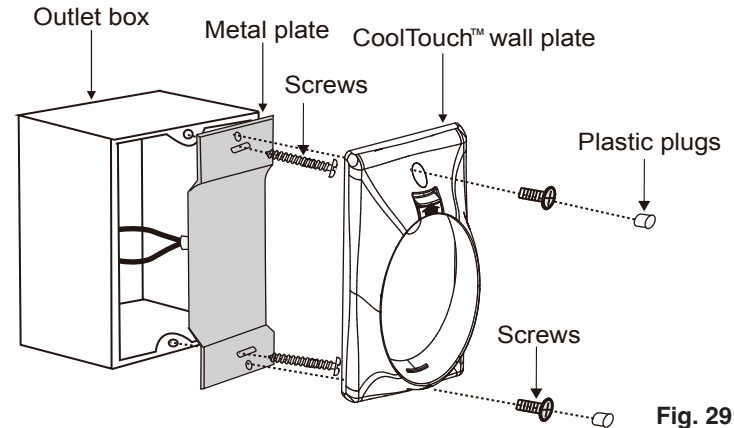


Fig. 29

INSTALLING THE TRANSMITTER

1. Insert the transmitter into the wall plate by inserting the bottom of the transmitter first and then press the top of the transmitter into the pocket. The transmitter will fully function from this location or you can remove the transmitter and use as a “Hand Held” device. (Fig. 30)
2. Press the release button to remove the transmitter from the wall plate.

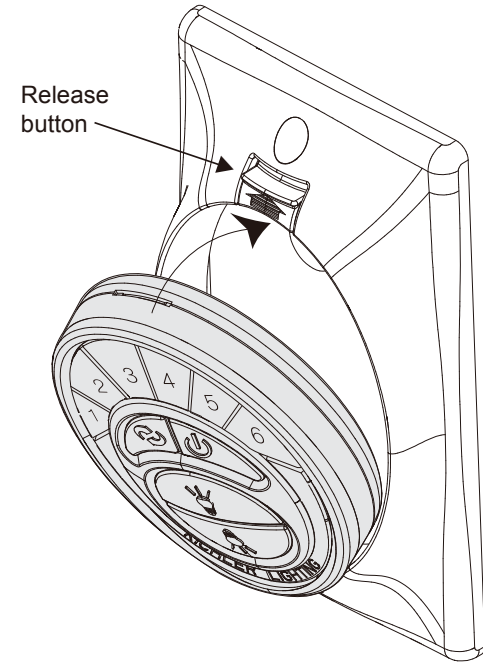


Fig. 30

OPERATING INSTRUCTIONS

Warm weather - Forward (counter clockwise).

A downward airflow creates a cooling effect as shown in Fig. 31. This allows you to set your air conditioner on a warmer setting without affecting your comfort.

Cool weather - Reverse (clockwise).

An upward airflow moves warm air from the ceiling as shown in Fig. 32. This allows you to set your heating unit on a cooler setting without affecting your comfort.

NOTE: To operate the reverse function on this fan, press the reverse button while the fan is running.

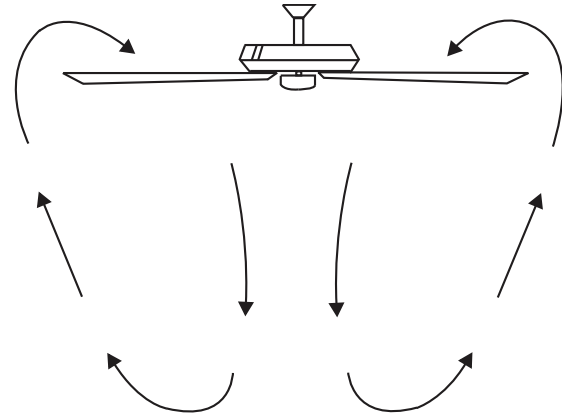


Fig. 31

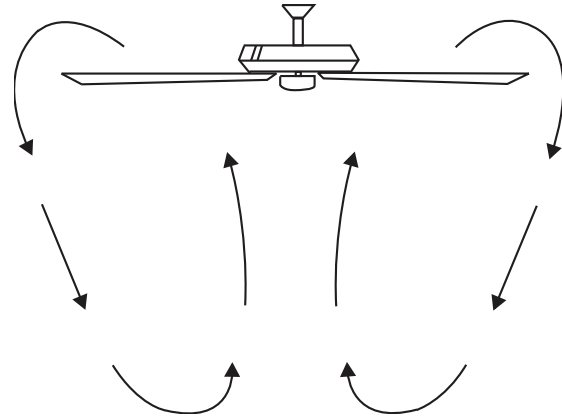


Fig. 32

TROUBLESHOOTING

Problem	Solution
Fan will not start.	<ol style="list-style-type: none">1. Check circuit fuses or breakers.2. Check all electrical connections to ensure proper contact. CAUTION: Make sure the main power is OFF when checking any electrical connection.
Fan sounds noisy.	<ol style="list-style-type: none">1. Make sure all motor housing screws are snug.2. Make sure the screws that attach the fan blade brackets to the motor are tight.3. Make sure wire nut connections are not rubbing against each other or the interior wall of the switch housing. CAUTION: Make sure main power is off.4. Allow a 24-hour “breaking-in period. Most noise associated with a new fan disappears during this time.5. If using an optional light kit, make sure the screws securing the glassware are tight. Make sure the light bulbs are not touching any other component.6. Do not connect this fan to wall mounted variable speed control(s). They are not compatible with ceiling fan motors or remote controls.7. Make sure the upper canopy is a short distance from the ceiling. It should not touch the ceiling.
Fan wobbles.	<ol style="list-style-type: none">1. Check that all blade and blade arm screws are secure.2. Most fan wobbling problems are caused when blade levels are unequal. Check this level by selecting a point on the ceiling above the tip of one of the blades. Measure this distance. Rotate the fan until the next blade is positioned for measurement. Repeat for each blade. The distance deviation should be equal within 1/8”.3. If the blade wobble is still noticeable, interchanging two adjacent (side by side) blades can redistribute the weight and possibly result in smoother operation.
Remote control malfunction.	<ol style="list-style-type: none">1. Ceiling fans with remote control systems CAN NOT be operated in conjunction with any other control system EXCEPT a basic On/Off wall switch, if desired.

FCC INFORMATION

This device complies with part 15 of the FCC Rules. Operation is subject to the following two conditions:

- 1) This device may not cause harmful interference, and
- 2) This device must accept any interference received, including interference that may cause undesired operation.

Note: This equipment has been tested and found to comply with the limits for a Class B digital device, pursuant to part 15 of the FCC Rules. These limits are designed to provide reasonable protection against harmful interference in a residential installation. This equipment generates, uses and can radiate radio frequency energy and, if not installed and used in accordance with the instructions, may cause harmful interference to radio communications. However, there is no guarantee that interference will not occur in a particular installation. If this equipment does cause harmful interference to radio or television reception, which can be determined by turning the equipment off and on, the user is encouraged to try to correct the interference by one or more of the following measures:

- Reorient or relocate the receiving antenna.
- Increase the separation between the equipment and receiver.
- Connect the equipment into an outlet on a circuit different from that to which the receiver is connected.
- Consult the dealer or an experienced radio/TV technician for help.

KICHLER®

www.kichler.com

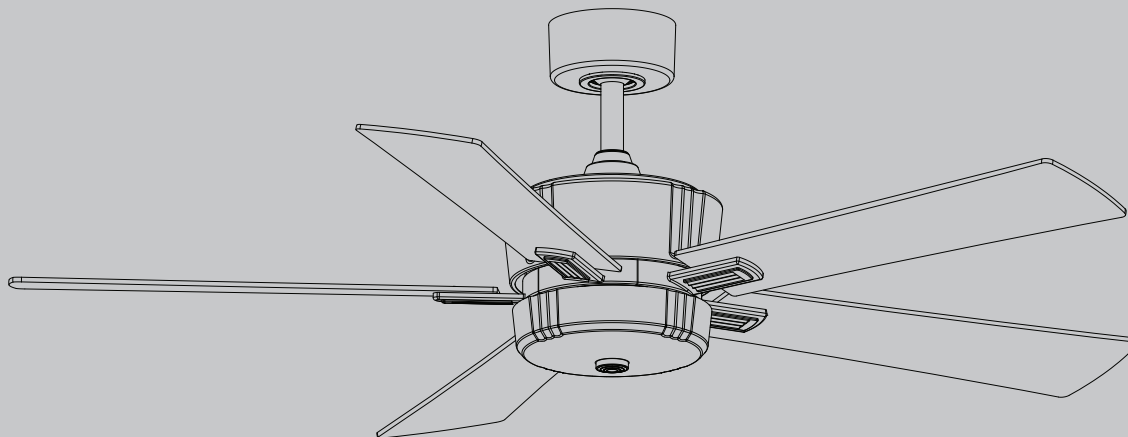
KICHLER® LIGHTING LLC
7711 EAST PLEASANT VALLEY ROAD
CLEVELAND, OHIO 44131

CUSTOMER SERVICE 866.558.5706
8:00 AM TO 5:00 PM EST, MONDAY - FRIDAY

KICHLER®

VENTILATEUR DE PLAFOND ICON DE 1,42 M

Les images du produit peuvent être légèrement différentes du produit réel.



VEUILLEZ LIRE ET CONSERVER CES INSTRUCTIONS

MODE D'EMPLOI
Modèle n° 300395

Poids net : 8,63 kg (19,02 lb)
Poids brut : 10,45 kg (23,04 lb)

TABLE DES MATIÈRES

RÈGLES DE SÉCURITÉ	4	INSTALLATION DU LUMINAIRE	16
OUTILS ET ÉQUIPEMENT REQUIS	6	INSTALLATION DE L'ABAT-JOUR EN VERRE	16
CONTENU DE L'EMBALLAGE	6	CONFIGURATION DU SYSTÈME DE COMMANDE	17
OPTIONS D'INSTALLATION	7	INSTRUCTIONS DES BOUTONS	19
SUSPENSION DU VENTILATEUR	8	INSTALLATION DE LA PLAQUE MURALE	20
INSTALLATION DU CÂBLE DE SUPPORT DE SÉCURITÉ (CANADA SEULEMENT)	11	INSTALLATION DE L'ÉMETTEUR	21
CONNEXIONS ÉLECTRIQUES	12	MODE D'EMPLOI	22
TERMINER L'INSTALLATION	14	DÉPANNAGE	23
INSTALLATION DES SUPPORTS DE PALES DU VENTILATEUR	15	INFORMATIONS DE LA FCC	24
INSTALLATION DES PALES DU VENTILATEUR	15		

Lisez toutes les instructions AVANT de procéder à l'assemblage et l'UTILISATION du produit.
CONSERVEZ CES INSTRUCTIONS POUR UN USAGE ULTÉRIEUR

RÈGLES DE SÉCURITÉ

VEUILLEZ LIRE ET CONSERVER CES INSTRUCTIONS

AVERTISSEMENT : POUR LE CANADA, CE VENTILATEUR DOIT ÊTRE FIXÉ SOLIDEMENT DIRECTEMENT SUR LA STRUCTURE DU BÂTIMENT/SOLIVE DE PLAFOND. NE FIXEZ PAS SOLIDEMENT CE VENTILATEUR SUR UNE BOÎTE DE SORTIE DE COURANT.

1. **ATTENTION - RISQUE DE CHOC ÉLECTRIQUE -**
Coupez le courant au panneau de distribution à disjoncteurs principal ou à la boîte à fusibles principale avant d'entamer l'installation et pendant toute l'installation.
2. **AVERTISSEMENT :** Cet appareil est conçu pour une installation conformément au code national de l'électricité (NEC), ainsi qu'à toutes les exigences des codes locaux. Si vous n'êtes pas au courant des exigences en matière de code, nous recommandons une installation par un électricien accrédité.
3. **AVERTISSEMENT :** Pour réduire les risques d'incendie et de choc électrique, utilisez uniquement la commande fournie avec le ventilateur.
4. **AVERTISSEMENT :** Pour réduire les risques d'incendie, de choc électrique ou de blessure corporelle, installez sur une boîte de sortie de courant portant la mention « Capable de supporter un ventilateur de 15,9 kg (35 lb) maximum ». Pour une installation sur une boîte de sortie de courant, utilisez les vis de montage fournies (et les rondelles de blocage) avec la boîte de sortie de courant. La plupart des boîtes de sortie de courant couramment utilisées

pour le support de luminaires ne sont pas acceptables pour le support d'un ventilateur et pourraient devoir être remplacées. Compte tenu de la complexité de l'installation de ce ventilateur, il est fortement recommandé de faire appel à un électricien agréé qualifié.

5. Tout le câblage doit être effectué conformément aux normes ANSI/NFPA 70 du Code national de l'électricité (NEC) et aux codes électriques locaux. L'installation électrique doit être effectuée par un électricien qualifié accrédité.
6. La boîte de sortie de courant et la structure de support doivent être solidement fixées et capables de supporter sans problème un minimum de 15,9 kg (35 lb). Utilisez uniquement des boîtes de sortie de courant homologuées CUL, conçues « POUR SUPPORTER UN VENTILATEUR ».

AVERTISSEMENT : AFIN DE RÉDUIRE LES RISQUES D'INCENDIE, DE CHOC ÉLECTRIQUE OU DE BLESSURE CORPORELLE, INSTALLEZ LE VENTILATEUR SUR UNE BOÎTE DE SORTIE DE COURANT PORTANT LA MENTION « CAPABLE DE SUPPORTER UN VENTILATEUR ».

7. **ATTENTION :** Le ventilateur doit être installé avec une distance minimale de 2,13 m (7 pi) entre le bord de fuite des pales et le sol.
8. Pour utiliser la fonction inversion de ce ventilateur, appuyez sur le bouton inversion pendant que le ventilateur est en marche.

RÈGLES DE SÉCURITÉ (suite)

9. Ne placez pas d'objets dans la trajectoire des pales.
10. Pour éviter les blessures corporelles ou les dommages au ventilateur ou d'autres objets, faites preuve de prudence en travaillant près du ventilateur ou en le nettoyant.
11. **AVERTISSEMENT** : Assurez-vous que l'alimentation électrique est coupée avant de nettoyer le ventilateur.
12. N'utilisez ni eau ni détergents pour nettoyer le ventilateur ou les pales du ventilateur. Un chiffon à poussière sec ou un linge légèrement humide conviennent en général pour le nettoyage.
13. Après avoir effectué les connexions électriques, retournez les conducteurs épissés vers le haut et insérez-les soigneusement dans la boîte de sortie de courant. Les fils doivent être écartés de façon à ce que le conducteur mis à la terre et le conducteur de mise à la terre de l'équipement soient d'un côté de la boîte de sortie de courant et le conducteur non mis à la terre de l'autre côté de la boîte de sortie de courant.
14. Les schémas électriques sont fournis à titre indicatif seulement. Les luminaires qui ne sont pas emballés avec le ventilateur doivent être homologués cULus et porter une mention spécifiant qu'ils peuvent être utilisés avec ce modèle de ventilateur. Les interrupteurs doivent être homologués cULus pour usage général. Consultez les instructions fournies avec les luminaires et les interrupteurs pour un assemblage approprié.

15. Toutes les vis de pression doivent être vérifiées et resserrées au besoin avant l'installation.

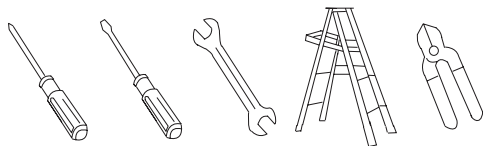
AVERTISSEMENT : POUR RÉDUIRE LES RISQUES DE BLESSURE CORPORELLE, NE PLIEZ PAS LES SUPPORTS DE PALE (AUSSI APPELÉS BRAS DE PALE) PENDANT L'ASSEMBLAGE OU APRÈS L'INSTALLATION. NE PLACEZ PAS D'OBJETS DANS LA TRAJECTOIRE DES PALES.



16. **AVERTISSEMENT** : Risque de brûlure chimique. Gardez les piles hors de la portée des enfants, et
Ce produit contient une pile bouton au lithium. L'ingestion d'une pile bouton au lithium neuve ou usée peut causer des brûlures internes graves et entraîner la mort en tout juste 2 heures. Fermez toujours hermétiquement le compartiment à piles. Si le compartiment à piles ne ferme pas complètement, cessez d'utiliser le produit, retirez les piles et gardez le produit hors de portée des enfants. Si vous soupçonnez que des piles ont été avalées ou placées à l'intérieur d'une partie quelconque du corps, faites appel immédiatement à un médecin.
a) Les piles boutons doivent être mises au rebut de manière appropriée en les gardant hors de la portée des enfants, et
b) Même usées, les piles boutons peuvent causer des blessures.

OUTILS REQUIS

- Tournevis cruciforme
- Tournevis plat
- Clé de 11 mm
- Escabeau
- Coupe-fils

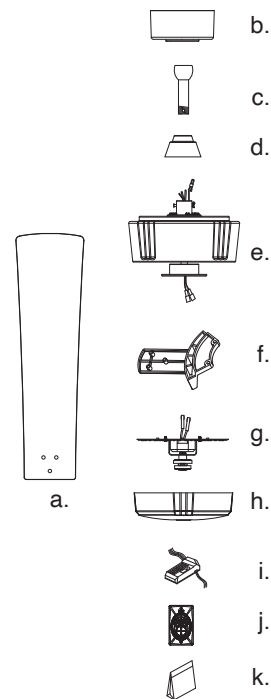


CONTENU DE L'EMBALLAGE

Déballiez votre ventilateur et vérifiez le contenu de l'emballage. Les articles suivants devraient s'y trouver :

- a. Pales du ventilateur (5)
- b. Monture
- c. Boule/tige de suspension
- d. Couvercle pour accouplement
- e. Moteur du ventilateur
- f. Supports de pale (5)
- g. Luminaire
- h. Abat-jour en verre
- i. Récepteur
- j. Émetteur mural
- k. Contenu du sac de pièces :

- 1) Quincaillerie de montage :
Rondelles en étoile (2), capuchons de connexion (3), vis mécaniques (2), rondelles (2), vis à bois (2)
- 2) Quincaillerie de fixation des pales :
vis de pale (16), vis de support de pale (11), rondelles en fibre (16)
- 3) Quincaillerie pour câble de sécurité :
vis à bois, rondelle de blocage, rondelle plate
- 4) Nécessaire d'équilibrage



OPTIONS D'INSTALLATION

Si une boîte de sortie de courant homologuée UL (cUL pour les installations au Canada) n'est pas déjà installée, veuillez lire les instructions suivantes. Coupez l'alimentation en retirant les fusibles ou en déclenchant les disjoncteurs.

Fixez la boîte de sortie de courant directement à la structure du bâtiment. Utilisez les pièces de fixation et les matériaux de construction appropriés. La boîte de sortie de courant et son support doivent pouvoir supporter complètement le plein poids du ventilateur (15,9 kg [35 lb] maximum). N'utilisez pas une boîte de sortie de courant en plastique.

Les Figures 1, 2 et 3 montrent des exemples des différentes façons d'installer la boîte de sortie de courant.

REMARQUE : Si vous installez le ventilateur de plafond sur un plafond incliné (en voûte), il se peut que vous ayez besoin d'une tige de suspension plus longue pour maintenir un dégagement adéquat entre le bout de la pale et le plafond. Un dégagement minimum de 30,48 cm (12 po) est suggéré pour un fonctionnement optimal.

REMARQUE : Selon l'emplacement choisi pour l'installation, il se peut que vous ayez besoin d'acheter et d'installer un « étrier à solive » pour soutenir la boîte de sortie de courant. Assurez-vous que l'étrier à solive que vous achetez est conçu pour une utilisation avec les ventilateurs de plafond. (Fig. 4)

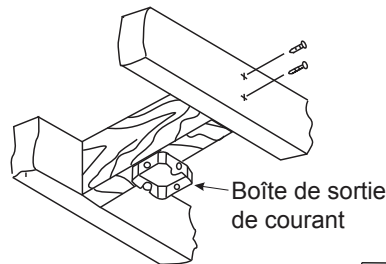


Fig. 1

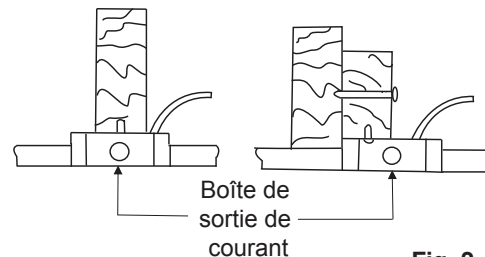


Fig. 2

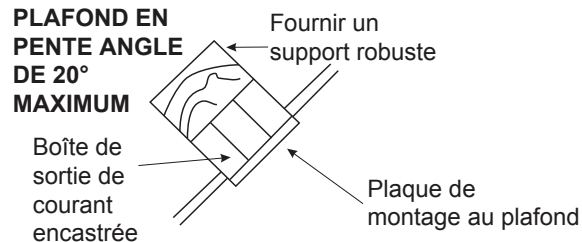


Fig. 3

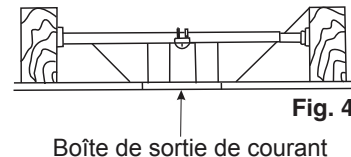


Fig. 4

SUSPENSION DU VENTILATEUR

REMARQUE : POUR LE CANADA, CE VENTILATEUR DOIT ÊTRE FIXÉ SOLIDEMENT DIRECTEMENT SUR LA STRUCTURE DU BÂTIMENT/SOLIVE DE PLAFOND. NE FIXEZ PAS SOLIDEMENT CE VENTILATEUR SUR UNE BOÎTE DE SORTIE DE COURANT. (voir la Fig. 6A)

N'OUBLIEZ PAS de couper le courant avant de commencer.

Pour installer correctement votre ventilateur de plafond, suivez les étapes suivantes.

Étape 1. Retirez le couvercle décoratif inférieur de la monture en le tournant dans le sens antihoraire. (Fig. 5)

Étape 2. Retirez le support de montage au plafond de la monture en retirant (et conservant) l'une des deux vis. Desserrez la vis restante d'un demi tour. (Fig. 5)

Étape 3. Faites passer les fils d'alimentation de 120 volts par le centre du support de montage au plafond. (Fig. 6)

Étape 4. Fixez le support de montage au plafond sur la boîte de sortie de courant à l'aide des vis et rondelles fournies avec la boîte de courant. (Fig. 6)

Étape 4A. Fixez le support de montage directement à une solive de la structure du bâtiment. Utilisez uniquement les vis à bois et rondelles de blocage appropriées fournies avec votre ventilateur. (Fig. 7)

REMARQUE : CETTE ÉTAPE CONCERNE UNIQUEMENT LE CANADA.

ATTENTION : Le support de montage doit être installé directement sur la solive du bâtiment, à l'aide des deux vis à bois et rondelles fournies. (Fig. 7)

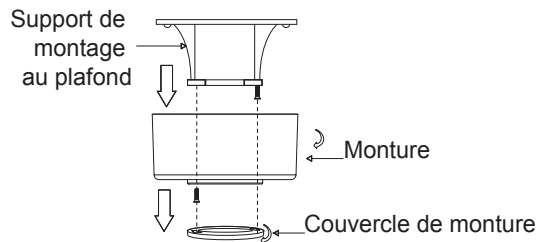


Fig. 5

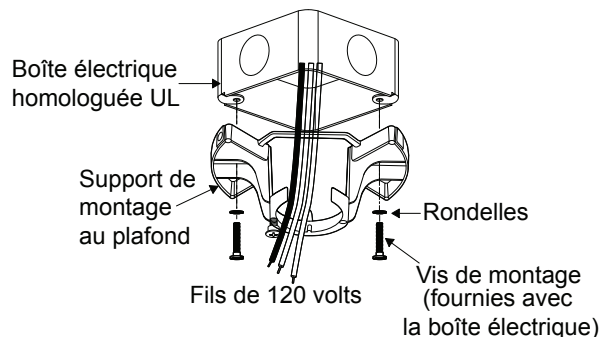


Fig. 6

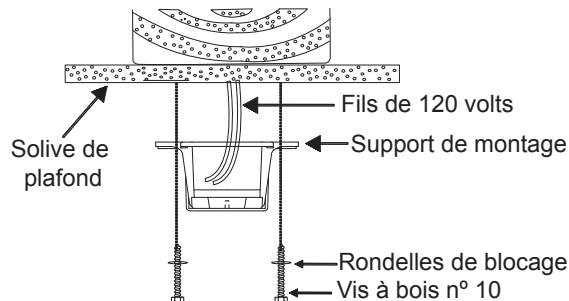


Fig. 7

SUSPENSION DU VENTILATEUR (SUITE)

Étape 5. Retirez la boule de suspension de la tige de suspension en desserrant la vis de pression, dévissant et retirant la contre-goupille et dévissant la boule pour la retirer de la tige. (Fig. 8)

Étape 6. Desserrez les deux vis de pression et retirez la goupille d'attache et la bride de serrage de l'accouplement sur le dessus du moteur. (Fig. 9)

Étape 7. Acheminez avec précaution les fils de sortie du ventilateur vers le haut et à travers la tige de suspension. Vissez la tige de suspension dans l'accouplement jusqu'à ce que les trous de la goupille d'attache soient alignés.

Ensuite, remettez la goupille d'attache et la bride de serrage en place. Serrez les deux vis de pression. (Fig. 9)

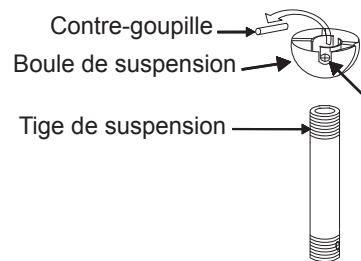


Fig. 8

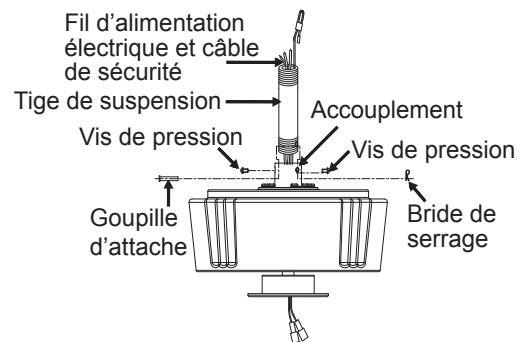


Fig. 9

SUSPENSION DU VENTILATEUR (SUITE)

Étape 8. Faites glisser le couvercle pour accouplement, le couvercle de montage et la monture sur la tige de suspension. (Fig. 10)

Vissez la boule de suspension sur la tige de suspension, insérez la contre-goupille dans la tige de suspension et serrez. Serrez la vis de pression.

Étape 9. Soulevez le moteur en position et placez la boule de suspension dans le support de montage au plafond.

Tournez tout l'assemblage jusqu'à ce que la « languette antiretour » tombe dans la « fente de repéage » et repose fermement. (Fig. 11)

Le moteur complet ne doit pas tourner (à gauche ou à droite) lorsqu'il est correctement en place.

AVERTISSEMENT : Manquer de rattacher la contre-goupille et placer la « languette antiretour » peut entraîner la chute du ventilateur du plafond pendant l'utilisation. Veillez particulièrement à rattacher cette contre-goupille.

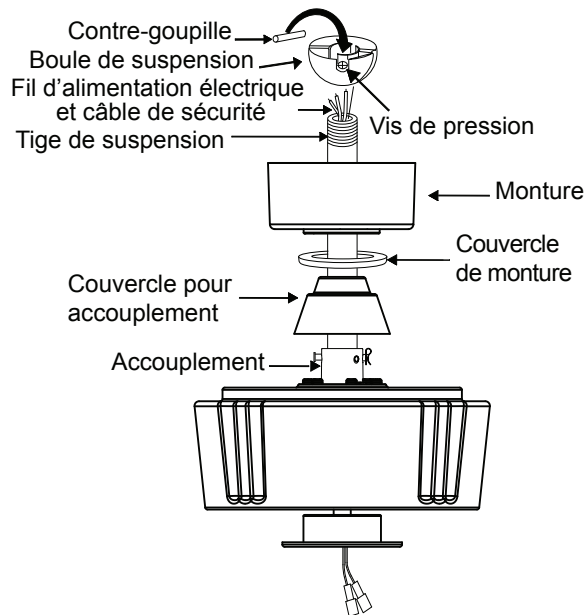


Fig. 10

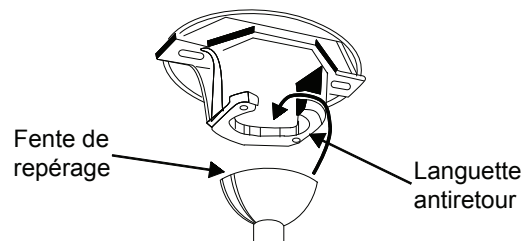


Fig. 11

INSTALLATION DU CÂBLE DE SUPPORT DE SÉCURITÉ (requis pour les installations au Canada UNIQUEMENT)

Un câble de support de sécurité est fourni pour aider à empêcher le ventilateur de plafond de tomber; veuillez l'installer comme suit.

Étape 1. Fixez la vis à bois et les rondelles fournies à la solive de plafond, à côté du support de montage mais ne serrez pas. (Fig. 12)

Étape 2. Réglez la longueur du câble de sécurité pour lui permettre d'atteindre la vis et les rondelles en tirant l'excès de câble par le serre-câble, jusqu'à ce que la longueur totale soit correcte, remettez l'extrémité du câble dans le serre-câble en formant une boucle à l'extrémité du câble. Serrez bien le serre-câble. Placez maintenant la boucle à l'extrémité du câble de sécurité fermement par-dessus la vis à bois.

REMARQUE : Bien que le câble de support de sécurité ne soit requis que pour les installations au Canada, il est judicieux de le fixer à toute installation.

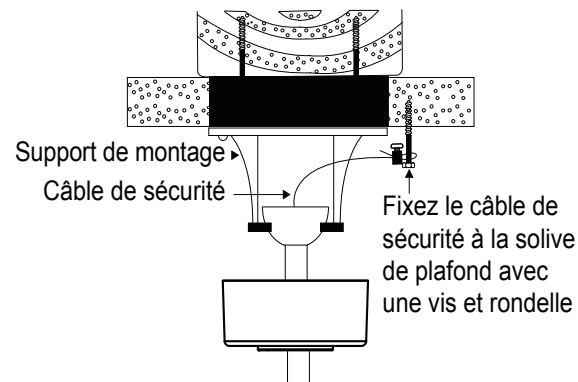


Fig. 12

CONNEXIONS ÉLECTRIQUES

AVERTISSEMENT : Lisez ce mode d'emploi avec soin et conservez-le à titre de référence ultérieure.

AVERTISSEMENT : Afin d'éviter un choc électrique éventuel, assurez-vous de couper l'alimentation électrique au panneau principal en retirant le fusible ou en déclenchant le disjoncteur.

AVERTISSEMENT : Cette commande est prévue pour une utilisation avec les « Ventilateurs de plafond à moteur c.c. » **UNIQUEMENT.** NE l'utilisez avec AUCUN autre type d'appareil électrique.

AVERTISSEMENT : Tout le câblage doit être conforme aux codes électriques nationaux et locaux. Si vous doutez posséder l'expérience nécessaire en câblage électrique, veuillez demander à un électricien accrédité d'installer la commande.

Étape 1. Insérez le récepteur dans le support de montage au plafond, le côté plat du récepteur faisant face au plafond. (Fig. 13)

Pour obtenir les meilleurs résultats, assurez-vous que l'antenne noire, située à l'extrémité du récepteur, reste déployée et ne s'emmêle avec aucun des fils électriques.

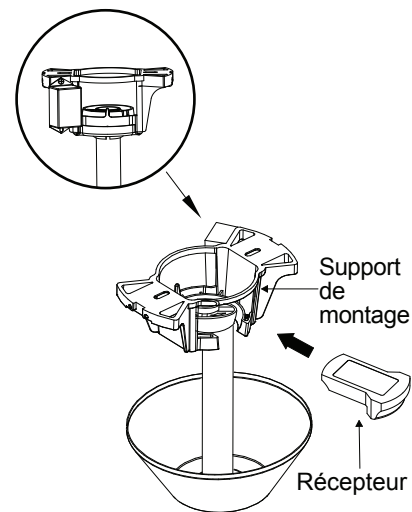


Fig. 13

CONNEXIONS ÉLECTRIQUES (suite)

A. Connexion des fils du ventilateur (Fig. 14)

Connectez le fil orange du ventilateur au fil orange du récepteur.

Connectez le fil marron du ventilateur au fil marron du récepteur.

Connectez le fil gris du ventilateur au fil gris du récepteur.

Connectez le fil bleu du ventilateur au fil bleu du récepteur.

Connectez le fil blanc du ventilateur au fil blanc du récepteur.

Consolidez les connexions électriques avec les capuchons de connexion en plastique fournis.

Alignez le fil noir du récepteur avec le fil marron du filtre, alignez le fil blanc du récepteur avec le fil bleu du filtre, puis connectez les adaptateurs moulés ensemble.

Connectez le fil noir (sous tension) du plafond au fil marron du boîtier du filtre.

Connectez le fil blanc (neutre) du plafond au fil bleu du boîtier du filtre.

Consolidez les connexions électriques avec les capuchons de connexion en plastique fournis.

Si votre boîte de sortie de courant a un fil de mise à la terre (vert ou en cuivre nu), connectez-le aux fils de mise à la terre du ventilateur; sinon, connectez le fil de mise à la terre du support de montage au support de montage.

Consolidez la connexion électrique à l'aide d'un capuchon de connexion en plastique fourni. Après avoir connecté les fils, séparez-les de façon à ce que les fils verts et blancs soient d'un côté de la boîte de sortie de courant et les fils noirs et bleus de l'autre côté. Rangez bien toutes les connexions électriques vers le haut dans la boîte de sortie de courant.

REMARQUE : N'oubliez pas de couper l'excès de fil conducteur sortant du corps du ventilateur avant le câblage, afin de faciliter l'installation du récepteur et de la monture.

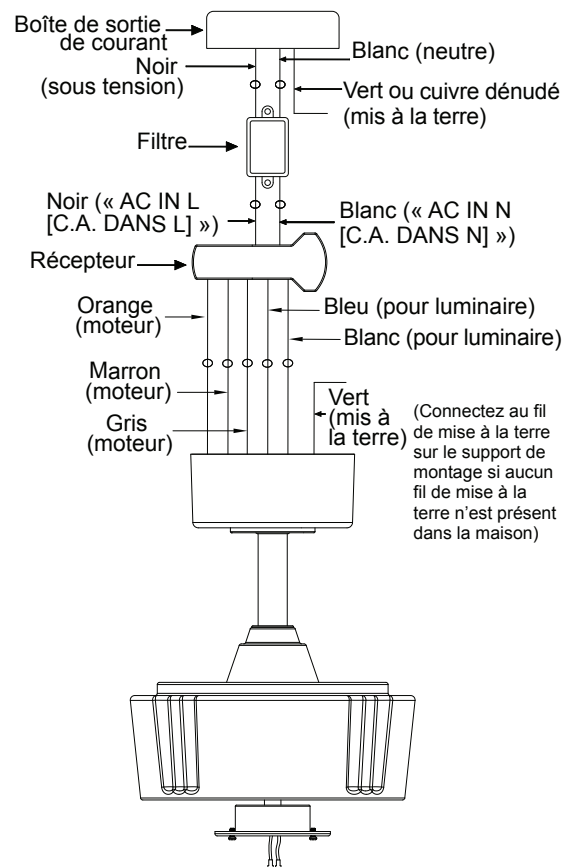


Fig. 14

TERMINER L'INSTALLATION

Étape 1. Insérez toutes les connexions proprement dans la boîte de sortie de courant au plafond.

Étape 2. Faites glisser la monture vers le haut jusqu'au support de montage et placez l'une des fentes en trou de serrure par-dessus la vis de montage du support de montage. Tournez la monture jusqu'à ce que la tête de vis se verrouille en place dans la section étroite du trou de serrure. (Fig. 15)

Étape 3. Alignez le trou circulaire restant de la monture avec l'orifice restant du support de montage au plafond. Insérez et serrez la vis de montage retirée auparavant et la vis de montage de l'étape 2 ci-dessus. Fixez maintenant le couvercle de la monture sur les têtes de vis de montage en insérant les têtes de vis dans le côté inférieur du couvercle de monture et en tournant le couvercle dans le sens horaire.

REMARQUE : Ajustez les vis de la monture au besoin jusqu'à ce que la monture et le couvercle de monture soit bien serrés.

AVERTISSEMENT : Assurez-vous que la « languette antiretour » en bas du support de montage est correctement placée dans la « fente de repérage » sur le côté de la boule de suspension, avant de fixer la monture au support. Ne pas placer la « languette antiretour » correctement pourrait endommager les fils électriques quand la direction des pales du ventilateur de plafond est changée pendant que le ventilateur est en marche.

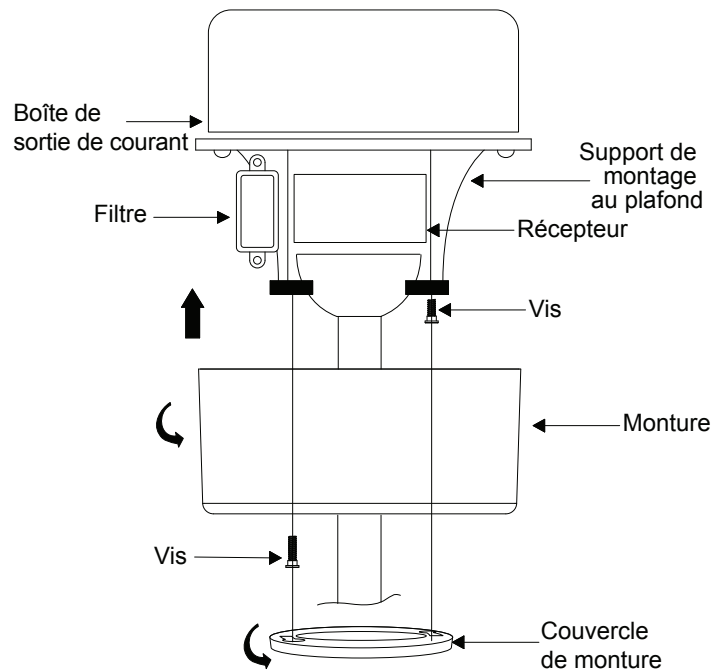


Fig. 15

INSTALLATION DES SUPPORTS DE PALES DU VENTILATEUR

Étape 1. Fixez les pales sur le moteur du ventilateur en serrant la vis de support de pale sur le moteur du ventilateur. (Fig. 16)

Étape 2. Répétez ces étapes pour les quatre supports de pale restants.

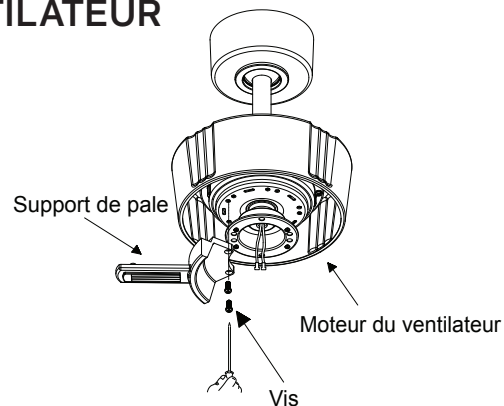


Fig. 16

INSTALLATION DES PALES DU VENTILATEUR

Étape 1. Alignez les trous de la pale et de la rondelle sur les trous des supports de pale et fixez solidement la pale en place avec les vis fournies. (Fig. 17)

Étape 2. Répétez ces étapes pour les quatre pales restantes.

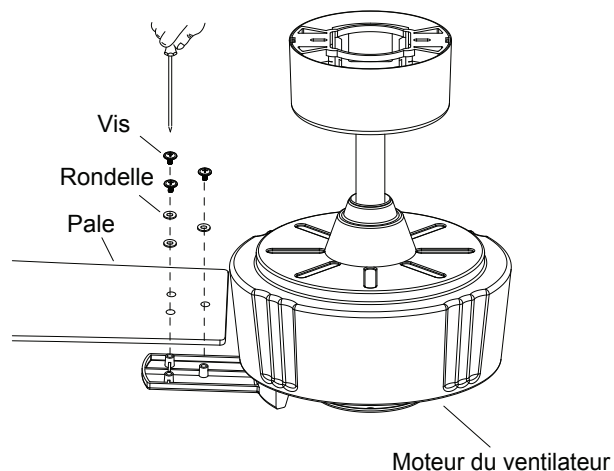


Fig. 17

INSTALLATION DU LUMINAIRE

ATTENTION : « Pour réduire les risques de choc électrique, débranchez le circuit d'alimentation électrique du ventilateur avant d'installer le luminaire. »

Étape 1. Retirez le faîteau et l'écrou de la tige filetée du luminaire. (Fig. 18)

Étape 2. Desserrez, retirez et conservez les quatre vis pré-attachées de l'anneau de fixation fixé à l'arbre du moteur. Connectez le fil du luminaire au fil provenant du moteur du ventilateur en branchant les fiches d'adaptation moulées ensemble.

Étape 3. Alignez les trous de vis du bac de luminaire avec les trous de vis de l'anneau de fixation du moteur du ventilateur. Réinstallez et serrez bien les quatre vis retirées auparavant à l'étape 2. (Fig. 19)

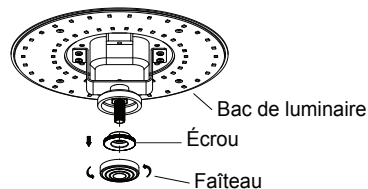


Fig. 18

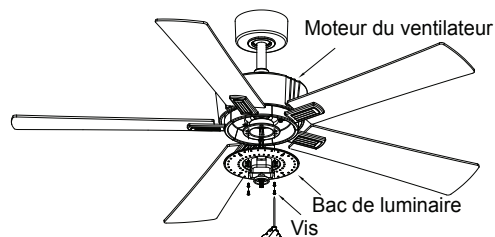


Fig. 19

INSTALLATION DE L'ABAT-JOUR EN VERRE

Soulevez l'abat-jour en verre contre le bac du luminaire et fixez-le solidement en serrant l'écrou et le faîteau. (Fig. 20)

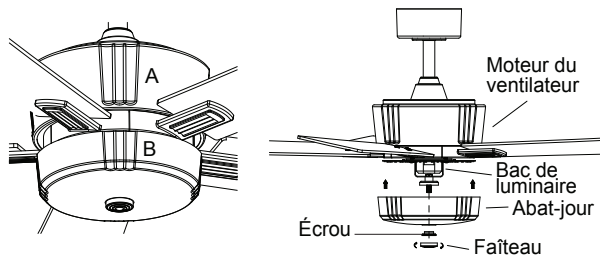


Fig. 20

CONFIGURATION DU SYSTÈME DE COMMANDE

⚠ **AVERTISSEMENT : Risque de brûlure chimique. Gardez les piles hors de la portée des enfants.**

⚠ **AVERTISSEMENT : Assurez-vous que l'alimentation électrique est complètement coupée avant d'entamer ces étapes.**

REMARQUE SPÉCIALE : Votre nouveau ventilateur de plafond Kichler® est un appareil de pointe qui utilise un moteur c.c. (courant continu) haute efficacité avec un système de télécommande avancé CoolTouch™. Le moteur c.c. consomme 70 % moins d'énergie que le moteur à induction c.a. d'un ventilateur de plafond traditionnel. Le moteur c.c. est contrôlé « numériquement » et fonctionne différemment des moteurs de ventilateur de plafond traditionnels.

Veillez lire complètement cette portion du mode d'emploi avant de continuer.

Notre système de commande CoolTouch™ comprend une fonction de « sélection de fréquence automatique ». Pour régler la fréquence de la commande et programmer le système de commande, veuillez suivre les étapes suivantes :

Ouvrez le dos de l'émetteur en desserrant la vis (Figure 21). Le sélecteur de fréquence est un « bloc-commutateurs DIP » à l'intérieur du compartiment à piles de l'émetteur (voir la Figure 22). Vous changez les fréquences en disposant les petits commutateurs numérotés 1 à 4 en position vers le haut ou vers le bas. 16 fréquences ou combinaisons sont possibles. Le cinquième commutateur marqué D et X règle le système pour un fonctionnement avec les lampes incandescentes ou fluorescentes. Il est essentiel de régler correctement ce commutateur. Si votre ventilateur de plafond est équipé de lampes incandescentes, réglez ce commutateur sur la position D, pour les lampes fluorescentes, réglez le commutateur sur la position X. Si ces paramètres sont inversés, le système de commande de l'éclairage fonctionnera de manière aléatoire et pourrait endommager votre ventilateur de plafond.

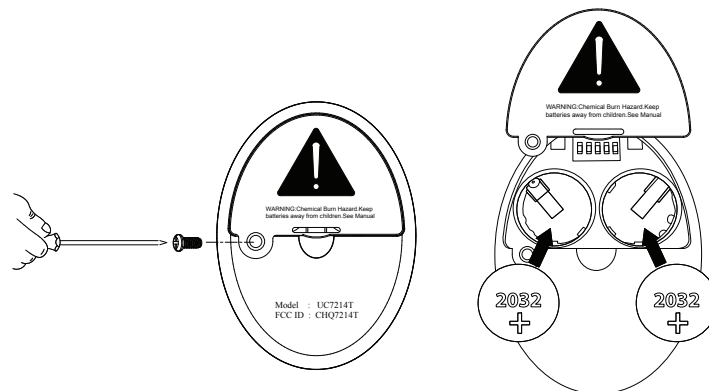


Fig. 21

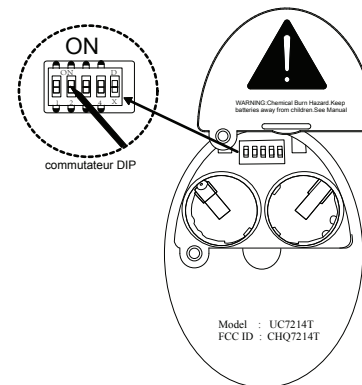


Fig. 22

Programmation du système : Lisez toutes ces étapes avant de continuer.

Il faut suivre chaque étape à la lettre, afin de programmer correctement le système de commande.

1. Vous pouvez laisser les commutateurs de fréquence au réglage en usine ou les déplacer de haut en bas pour n'importe quelle combinaison. Utilisez un petit tournevis à lame plate pour déplacer les commutateurs.
2. Insérez les deux piles et assurez-vous qu'elles reposent correctement dans chaque encastrément avec le signe positif + orienté vers le haut. Remettez le couvercle du compartiment à piles. (Figure 21)
3. Testez l'émetteur en poussant et relâchant brièvement N'IMPORTE QUEL bouton. Un voyant bleu devrait s'allumer sous les boutons 3 et 4. (Fig. 23) Sinon, vérifiez que les piles sont insérées et reposent correctement.

Alimentation électrique et programmation :

4. Suivez les étapes suivantes pour régler la télécommande :

La fonction d'apprentissage automatique sera active uniquement dans les 60 secondes après avoir établi l'alimentation c.a. du ventilateur. (Figure 24)

5. Choisissez la fréquence souhaitée à partir du dos de l'émetteur.
6. À partir du dos de l'émetteur, appuyez sur et maintenez le bouton « hold (maintenir) » pendant au moins 5 secondes. Une fois que l'émetteur détecte la fréquence, le voyant lumineux clignotera deux fois et le ventilateur commencera à fonctionner automatiquement, puis à tourner dans le sens antihoraire et au tr/min le plus élevé pendant 3 minutes. Une fois que la rotation dans le sens antihoraire est terminée, le ventilateur se remettra automatiquement à tourner dans le sens horaire au tr/min le plus élevé pendant 3 minutes. Le ventilateur s'arrêtera une fois que le test d'auto-étalonnage est terminé. Le test total d'auto-étalonnage durera environ 6 minutes.

REMARQUE : Si le test d'auto-étalonnage échoue, coupez l'alimentation électrique c.a.; rétablissez l'alimentation électrique et effectuez à nouveau le test d'auto-étalonnage.

REMARQUE : Pendant le test d'auto-étalonnage, la télécommande ne fonctionne pas.

REMARQUE : La fonction de fréquence d'apprentissage et le test d'auto-étalonnage continueront de conserver les derniers réglages de fréquence et d'étalonnage établis, même si l'alimentation électrique c.a. est coupée. Si la fréquence est modifiée, le test d'auto-étalonnage se reproduira.

7. Votre système de commande CoolTouch™ est maintenant programmé et prêt à l'utilisation. Veuillez consulter les instructions d'utilisation.

Le récepteur fournit la fonction de protection suivante :

1. Position de verrouillage : Le moteur c.c. a un dispositif de sécurité intégré contre l'obstruction pendant l'utilisation. En cas d'obstruction, le moteur s'arrêtera et l'alimentation électrique sera automatiquement coupée dans 30 secondes. Retirez l'obstruction et réinitialisez.
2. Protection au-delà de 80 watts : Quand le récepteur détecte une consommation électrique du moteur supérieure à 80 W, l'alimentation électrique au récepteur sera coupée et le fonctionnement immédiatement interrompu. Attendez 5 secondes, puis rétablissez l'alimentation électrique au récepteur.

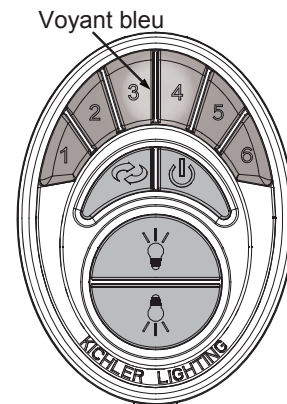


Fig. 23

Bouton  Press/hold (Appuyer/maintenir)

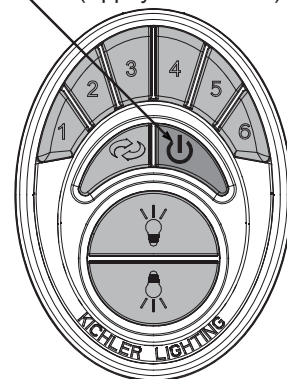


Fig. 24

INSTRUCTIONS DES BOUTONS

Figure 25

Les boutons 1, 2, 3, 4, 5 et 6 sont utilisés pour régler la vitesses des pales comme suit :

1 = Vitesse faible

2 = Vitesse moyenne faible

3 = Vitesse moyenne

4 = Vitesse moyenne élevée

5 = Vitesse élevée

6 = Vitesse très élevée

Figure 26

Le bouton « ARRÊT DU MOTEUR » :

Ce bouton éteint le moteur du ventilateur et peut être également utilisé pour programmer.

Le bouton « COMMANDE DU LUMINAIRE » :

Ce bouton ALLUME ou ÉTEINT le luminaire et contrôle également le réglage de la luminosité. Appuyez et maintenez la pression sur l'un ou l'autre bouton pour régler la luminosité à l'intensité désirée. La prochaine fois que vous allumez le luminaire, le système se rappellera ce réglage. Appuyez et relâchez l'un ou l'autre bouton pour ALLUMER ou ÉTEINDRE le luminaire.

Figure 27

Le bouton « MARCHÉ AVANT/ARRIÈRE » est utilisé pour régler le sens de rotation des pales du ventilateur en avant ou en arrière. À chaque fois que vous appuyez sur ce bouton, les pales du ventilateur changeront de direction. Ce bouton fonctionne UNIQUEMENT quand les pales du ventilateur sont en mouvement.

REMARQUE OPÉRATIONNELLE : À chaque fois que vous faites tourner les pales à une vitesse quelconque ou inversez la direction des pales, le système de commande réalisera une « Auto-vérification » pour assurer l'intégrité opérationnelle. Les pales tourneront lentement sur une courte distance ($\frac{1}{4}$ de tour), s'arrêteront, changeront de direction, tourneront sur $\frac{1}{4}$ de tour, puis augmenteront leurs tr/min. jusqu'à la vitesse souhaitée. C'est tout à fait normal et assure un bon rendement opérationnel.

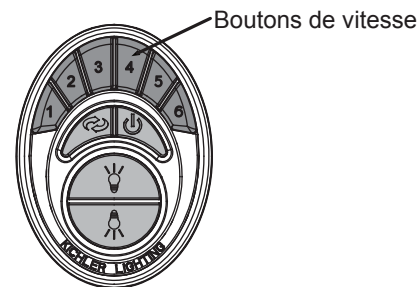


Fig. 25

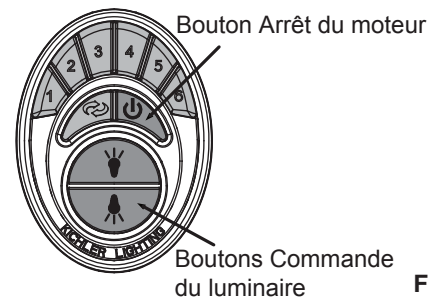


Fig. 26

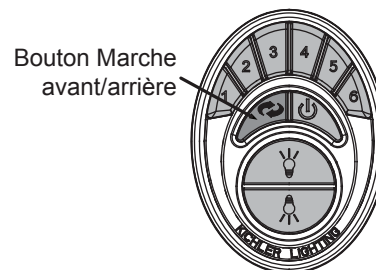


Fig. 27

INSTALLATION DE LA PLAQUE MURALE POUR SYSTÈME DE COMMANDE COOLTOUCH™

Choisissez un emplacement pour l'installation de l'émetteur et de la plaque murale du système de commande mural.

AVERTISSEMENT : Tout le câblage doit être conforme aux codes électriques locaux et au Code électrique national. L'installation électrique doit être effectuée par un électricien qualifié accrédité.

Choisissez un emplacement pour l'installation de l'émetteur du système de commande CoolTouch™. Vous pouvez remplacer un interrupteur mural existant ou installer l'émetteur sur N'IMPORTE QUELLE surface plane.

Option 1 : Installer le système de commande à l'aide d'une boîte de sortie de courant à interrupteur murale existante. Assurez-vous que l'alimentation électrique est COUPÉE au tableau principal avant de continuer.

REMARQUE : L'installation de l'interrupteur doit être conforme à tous les codes locaux et nationaux de l'électricité.

Étape 1. Retirez la plaque murale existante et l'ancien interrupteur de la boîte de sortie de courant murale. Connectez les fils conducteurs NOIRS (sous tension) et repoussez-les dans la boîte de sortie de courant. (Fig. 28)

Étape 2. Installez la plaque en métal et la plaque murale CoolTouch™ sur la boîte de sortie de courant murale existante à l'aide des 4 vis fournies. Placez ensuite les deux bouchons en plastique dans la plaque murale. (Fig. 29)

Option 2 : Installer le système de commande sur N'IMPORTE QUELLE surface plane.

Choisissez l'emplacement souhaité et utilisez la plaque murale CoolTouch™ pour marquer l'emplacement des trous de montage. Utilisez les dispositifs d'ancrage pour cloison sèche et/ou vis fourni(e)s et terminez l'installation.

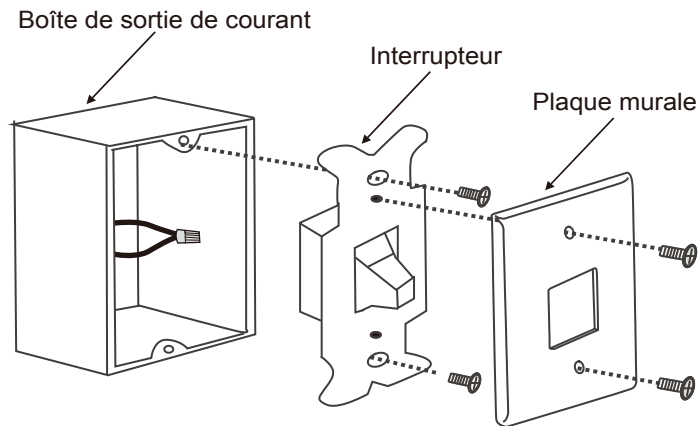


Fig. 28

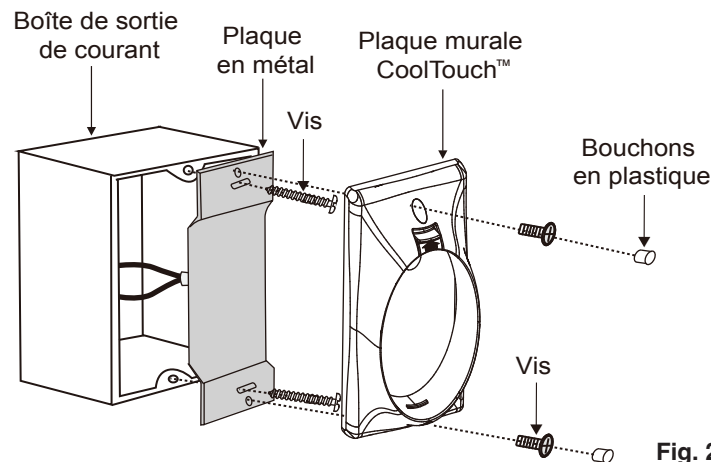


Fig. 29

INSTALLATION DE L'ÉMETTEUR

1. Insérez l'émetteur dans la plaque murale en insérant le bas de l'émetteur en premier, puis enfoncez le haut de l'émetteur dans la poche. L'émetteur fonctionnera entièrement à partir de cet emplacement, ou vous pouvez retirer l'émetteur et l'utiliser comme dispositif « manuel ». (Fig. 30)
2. Appuyez sur le bouton de dégagement pour retirer l'émetteur de la plaque murale.

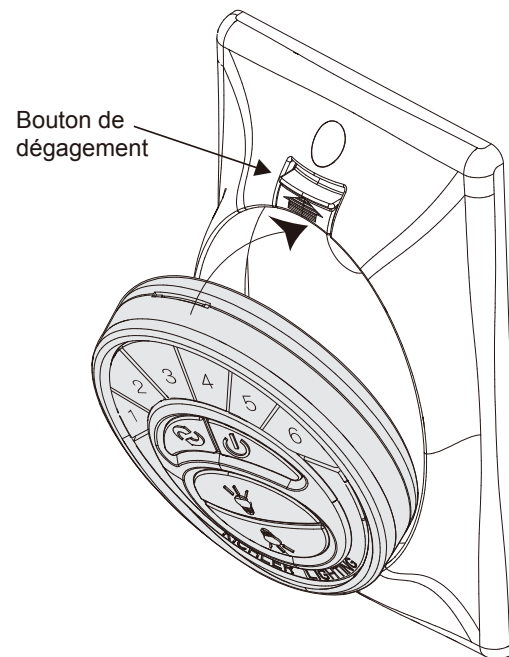


Fig. 30

MODE D'EMPLOI

Par temps chaud - Vers l'avant (sens antihoraire).

Un débit d'air descendant crée une sensation rafraîchissante, tel qu'illustré sur la Fig. 31. Ce qui permet d'utiliser un réglage de climatisation plus élevé sans nuire au confort.

Par temps frais - Vers l'arrière (sens horaire).

Un débit d'air ascendant déplace l'air chaud du plafond, tel qu'illustré sur la Fig. 32. Ce qui permet d'utiliser un réglage de chauffage plus faible sans nuire au confort.

REMARQUE : Pour utiliser la fonction inversion de ce ventilateur, appuyez sur le bouton inversion pendant que le ventilateur est en marche.

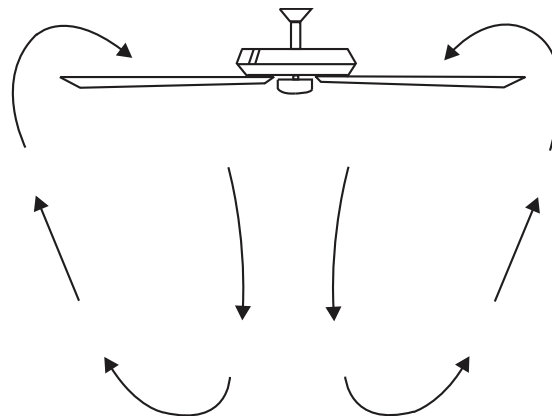


Fig. 31

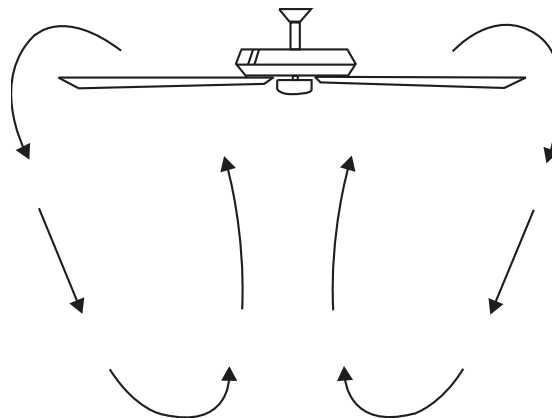


Fig. 32

DÉPANNAGE

Problème	Solution
Le ventilateur ne démarre pas.	<ol style="list-style-type: none">1. Vérifiez les fusibles ou disjoncteurs.2. Vérifiez toutes les connexions électriques pour assurer un contact adéquat. ATTENTION : Assurez-vous que l'alimentation électrique principale est COUPÉE lorsque vous vérifiez les connexions électriques.
Le ventilateur est bruyant.	<ol style="list-style-type: none">1. Assurez-vous que toutes les vis du boîtier du moteur sont bien serrées.2. Assurez-vous que les vis qui fixent les supports de pales au moteur sont bien serrées.3. Assurez-vous que les capuchons de connexion ne s'entrechoquent pas ou ne se battent pas contre la paroi intérieure du boîtier de l'interrupteur. ATTENTION : Assurez-vous que l'alimentation électrique principale est coupée.4. Laissez passer une période de « rodage » de 24 heures. La majorité du bruit d'un ventilateur neuf disparaît au cours de cette période.5. Si vous utilisez un luminaire en option, veillez à ce que les vis qui fixent fermement tout abat-jour en verre sont bien serrées. Assurez-vous que les ampoules ne touchent aucun autre composant.6. Ne connectez pas ce ventilateur à une(des) commande(s) murale(s) à vitesse variable. Elles ne sont pas compatibles avec les moteurs ou télécommandes des ventilateurs de plafond.7. Assurez-vous que la monture est légèrement éloignée du plafond. Elle ne devrait pas toucher le plafond.
Le ventilateur oscille.	<ol style="list-style-type: none">1. Vérifiez que les vis de toutes les pales et de tous les supports de pales sont bien vissées.2. La plupart des problèmes d'oscillation des ventilateurs sont causés par la hauteur inégale des pales. Vérifiez la hauteur des pales en choisissant un point au plafond, au dessus de l'extrémité de l'une des pales. Mesurez cette distance. Faites tourner le ventilateur pour que la pale suivante soit en position pour la mesure. Répétez pour chaque pale. L'écart de distance doit être le même, à 3,17 mm (1/8 po) près.3. Si vous remarquez toujours l'oscillation des pales, il est possible que l'échange réciproque de pales adjacentes (qui se côtoient) puisse redistribuer le poids et même résulter en un fonctionnement plus en douceur.
Défaillance de la télécommande.	<ol style="list-style-type: none">1. Les ventilateurs de plafond équipés de systèmes à télécommande NE PEUVENT PAS être utilisés de concert avec tout autre système de commande, À L'EXCEPTION d'un interrupteur mural de base MARCHE/ARRÊT, si vous le souhaitez.

INFORMATIONS DE LA FCC

Cet appareil est conforme aux dispositions prévues à l'article 15 du règlement de la FCC. Son fonctionnement est soumis aux deux conditions suivantes :

- 1) Ce dispositif ne doit pas causer d'interférence préjudiciable et
- 2) ce dispositif doit accepter tout brouillage reçu, y compris les brouillages pouvant causer un fonctionnement indésirable.

Remarque : Cet appareil a été testé et déclaré conforme aux limitations prévues pour les appareils numériques de classe B, en vertu de l'article 15 du règlement de la FCC. Ces limitations sont prévues pour fournir une protection raisonnable contre toute interférence préjudiciable dans une installation résidentielle. Cet équipement génère, utilise et peut émettre de l'énergie en radiofréquence et, s'il n'est pas installé ni utilisé conformément aux instructions, il peut causer des interférences préjudiciables aux communications radio. Cependant, il n'est pas garanti que des interférences ne se produiront pas dans une installation particulière. Si cet équipement cause une interférence préjudiciable à la réception des postes de radio ou de télévision, ce qui peut être déterminé en allumant et en éteignant l'appareil, il est conseillé à l'utilisateur d'essayer de corriger l'interférence en appliquant une ou plusieurs des mesures suivantes :

- Réorientez ou déplacez l'antenne de réception.
- Accroissez la distance entre l'équipement et l'appareil de réception.
- Branchez l'équipement dans une prise dont le circuit n'est pas le même que celui sur lequel l'appareil de réception est branché.
- Consultez le fournisseur ou un technicien spécialisé en radio/TV pour une assistance.

KICHLER®

www.kichler.com

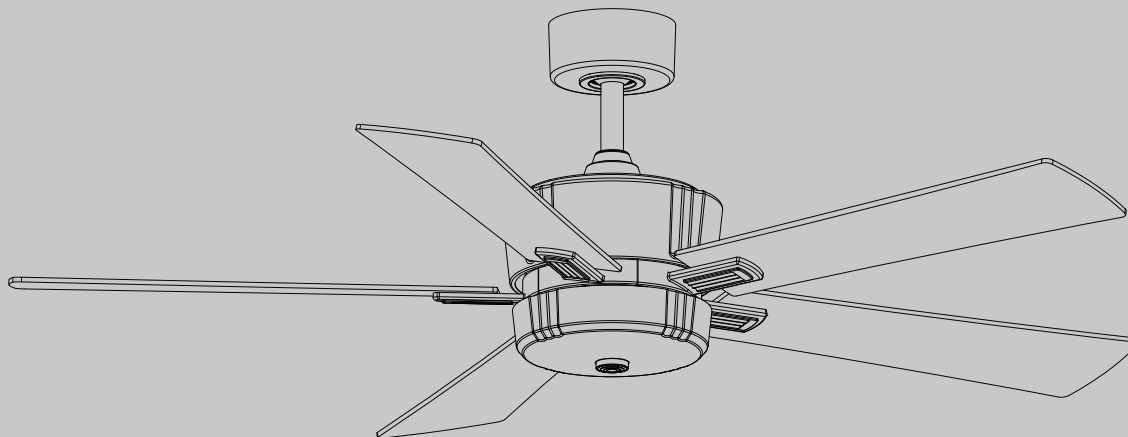
KICHLER® LIGHTING LLC
7711 EAST PLEASANT VALLEY ROAD
CLEVELAND, OHIO 44131

SERVICE À LA CLIENTÈLE 866 558-5706
ENTRE 8H00 ET 17H00, HNE, DU LUNDI AU VENDREDI

KICHLER®

VENTILADOR DE TECHO ICON DE 56" (1.4 m)

Las imágenes del producto pueden diferir ligeramente del producto real.



LEE Y GUARDA ESTAS INSTRUCCIONES

MANUAL DE INSTRUCCIONES

Modelo # 300395

Peso neto: 8.63 kg (19.02 lb)
Peso bruto: 10.45 kg (23.04 lb)

TABLA DE CONTENIDO

NORMAS DE SEGURIDAD	4	CÓMO INSTALAR EL KIT DE LUCES	16
HERRAMIENTAS Y MATERIALES NECESARIOS	6	CÓMO INSTALAR LA PANTALLA DE VIDRIO	16
CONTENIDO DEL PAQUETE	6	CONFIGURACIÓN DEL SISTEMA DE CONTROL	17
OPCIONES DE MONTAJE	7	INSTRUCCIONES DE BOTONES	19
CÓMO COLGAR EL VENTILADOR	8	CÓMO INSTALAR LA PLACA DE PARED	20
CÓMO INSTALAR EL SOPORTE DE SEGURIDAD (SOLO CANADÁ).....	11	CÓMO INSTALAR EL TRANSMISOR	21
CONEXIONES ELÉCTRICAS	12	INSTRUCCIONES DE USO	22
CÓMO CONCLUIR LA INSTALACIÓN	14	SOLUCIÓN DE PROBLEMAS	23
CÓMO MONTAR LOS BRAZOS DE LAS ASPAS DEL VENTILADOR	15	INFORMACIÓN DE LA FCC	24
CÓMO FIJAR LAS ASPAS DEL VENTILADOR	15		

Lee todas las instrucciones ANTES de ensamblar y USAR el producto
CONSERVA ESTAS INSTRUCCIONES PARA USO FUTURO

NORMAS DE SEGURIDAD

LEE Y GUARDA ESTAS INSTRUCCIONES

ADVERTENCIA: PARA CANADÁ, ESTE VENTILADOR DEBE FIJARSE DIRECTAMENTE A LA ESTRUCTURA DEL EDIFICIO/VIGA DEL TECHO. NO ASEGURES ESTE VENTILADOR A UNA CAJA ELÉCTRICA.

1. **PRECAUCIÓN - RIESGO DE DESCARGA ELÉCTRICA-** Desconecta la corriente eléctrica en el panel del cortacircuitos principal o la caja principal de fusibles antes de comenzar y durante la instalación.
2. **ADVERTENCIA:** Este elemento fijo se debe instalar según el Código Nacional de Electricidad (NEC) y todas las especificaciones de códigos locales. Si no estás familiarizado con todos los requisitos de códigos, se recomienda que un electricista calificado realice la instalación.
3. **ADVERTENCIA:** Para reducir el riesgo de incendio, descarga eléctrica, utiliza únicamente el control incluido con el ventilador.
4. **ADVERTENCIA:** Para reducir el riesgo de incendio, descarga eléctrica o lesiones personales, instala en una caja eléctrica marcada como "Aceptable para soporte de ventilador de hasta 15.9 kg (35 lb)". Para el montaje en caja eléctrica, usa los tornillos de montaje (y arandelas de seguridad) incluidos con la caja eléctrica. Casi todas las cajas eléctricas que suelen usarse para sostener lámparas no son aceptables para sostener ventiladores y pudiera ser necesario reemplazarlas. Debido a la complejidad de la instalación de este

ventilador, se recomienda enfáticamente que sea realizada por un electricista calificado con licencia."

5. Todo el cableado tiene que cumplir con el Código Nacional de Electricidad ANSI/NFPA 70 y con los códigos eléctricos locales. La instalación eléctrica debe realizarse por un electricista calificado con licencia.
6. La caja eléctrica y la estructura de soporte tienen que montarse de forma segura para poder sostener con confianza y como mínimo 15.9 kg (35 lb). Usar sólo cajas eléctricas listas para CUL y marcadas "PARA SOPORTE DE VENTILADOR".

ADVERTENCIA: PARA REDUCIR EL RIESGO DE INCENDIO, DESCARGA ELÉCTRICA O LESIÓN PERSONAL, MONTAR EL VENTILADOR EN UNA CAJA ELÉCTRICA CLASIFICADA COMO "ACEPTABLE PARA SOPORTE DE VENTILADOR".

7. **PRECAUCIÓN:** El ventilador tiene que montarse con al menos 7 pies (2.1 m) de separación entre el borde trasero de las aspas y el piso.
8. Para operar la función de retroceso en este ventilador, presiona el botón de retroceso mientras el ventilador está funcionando.
9. Evita colocar objetos en la trayectoria de las aspas.
10. Para evitar lesiones personales o daños al ventilador y otros artículos, ten cuidado al limpiarlo o al trabajar cerca de él.

NORMAS DE SEGURIDAD (continuación)

11. **ADVERTENCIA:** Asegúrate de que la alimentación esté desconectada antes de limpiar el ventilador.
12. No usar agua ni detergentes para limpiar el ventilador o las aspas. Para la mayoría de las tareas de limpieza, se puede utilizar un paño seco o ligeramente humedecido.
13. Después de concluir con las conexiones eléctricas, debes voltear los conductores empalmados hacia arriba y empujarlos con cuidado hacia dentro de la caja eléctrica. Los cables deben estar separados, con el cable a tierra y el conductor a tierra del equipo hacia uno de los lados de la caja eléctrica y el conductor sin conexión a tierra hacia el lado opuesto.
14. Los diagramas eléctricos son solo para referencia. Los kits de luces que no vienen en la caja del ventilador tienen que estar aprobados por cULus y marcados como apropiados para usar con el modelo de ventilador que estás instalando. Los interruptores deben ser interruptores cULus de uso general. Para ensamblar de forma correcta, consulta las instrucciones adjuntas a los kits de luces e interruptores.
15. Antes de la instalación, todos los tornillos de fijación tienen que comprobarse y reajustarse donde sea necesario.

ADVERTENCIA: PARA REDUCIR EL RIESGO DE LESIONES PERSONALES, NO DOBLES LOS SOPORTES DE LAS ASPAS (TAMBIÉN LLAMADOS BRAZOS DE ASPAS) DURANTE NI DESPUÉS DE LA INSTALACIÓN. NO COLOCAR OBJETOS EN LA TRAYECTORIA DE LAS ASPAS.



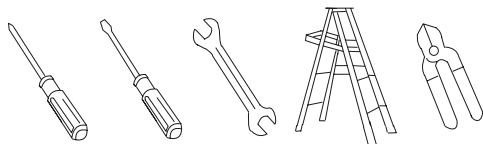
16. **ADVERTENCIA:** Peligro de quemaduras químicas. Mantener las baterías alejadas de los niños; y

Este producto contiene una batería de litio tipo botón/moneda. Si una batería nueva o usada de este tipo se ingiere o penetra de otro modo en el cuerpo, puede causar quemaduras internas graves y llevar a la muerte en apenas 2 horas. Asegurar siempre el compartimiento de baterías por completo. Si el compartimiento de baterías no cierra con seguridad, deja de usar el producto, saca las baterías y mantenlas alejadas de los niños. En caso de sospecha de ingestión o penetración de las baterías en cualquier parte del cuerpo hay que buscar de inmediato atención médica.

- a) Las baterías se deben desechar adecuadamente, lo que incluye mantenerlas alejadas de los niños; e
- b) incluso las baterías usadas pueden provocar lesiones.

HERRAMIENTAS NECESARIAS

- Destornillador Phillips
- Destornillador para aspas
- Llave de 11 mm
- Escalera de tijera
- Cortacables



CONTENIDO DEL PAQUETE

Desempaca tu ventilador y revisa el contenido. Debes tener los siguientes artículos:

- Aspas del ventilador (5)
- Cubierta
- Conjunto de tubo bajante/esfera
- Cubierta del acoplamiento
- Conjunto del motor del ventilador
- Brazos de aspas (5)
- Ensamblaje del kit de luces
- Conjunto de la pantalla de vidrio
- Receptor
- Transmisor de pared
- La bolsa de piezas contiene:

1) Herrajes para montaje:

Arandelas de estrella (2), tuercas para alambre (3), tornillos para metales (2), arandelas (2), tornillos para madera (2)

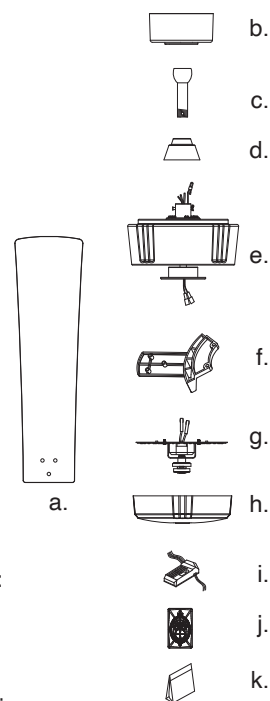
2) Herrajes para montaje de las aspas:

tornillos del aspa (16), tornillos del brazo del aspa (11), arandelas de fibra (16)

3) Herrajes para el cable de seguridad:

tornillo para madera, arandela de seguridad, arandela plana

4) Kit de balanceo de aspas



OPCIONES DE MONTAJE

De no existir una caja de montaje aprobada por UL (cUL, para instalación en Canadá), lee bien las siguientes instrucciones. Desconecta la energía retirando los fusibles o apagando los cortacircuitos.

Asegura la caja eléctrica directamente a la estructura del edificio. Usa sujetadores y materiales de construcción apropiados. La caja eléctrica y su soporte tienen que sostener completamente el peso total del ventilador (hasta 15.9 kg = 35 lb). No uses cajas eléctricas de plástico.

Las figuras 1, 2 y 3 son ejemplos de diferentes formas de montar la caja eléctrica.

NOTA: Si estás instalando el ventilador de techo en un techo inclinado (abovedado), tal vez necesites un tubo bajante más largo para mantener el espacio adecuado entre las aspas y el techo. Se sugiere un espacio libre mínimo de 12 plg (30.5 cm) para un funcionamiento óptimo.

NOTA: En función de la ubicación de instalación que hayas elegido, tal vez necesites comprar e instalar un «soporte de viga» para sostener la caja eléctrica. Asegúrate de que el soporte de viga que compres esté diseñado para usar con ventiladores de techo. (Fig. 4)

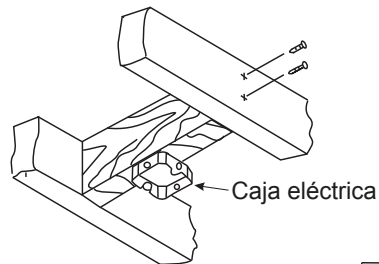


Fig. 1

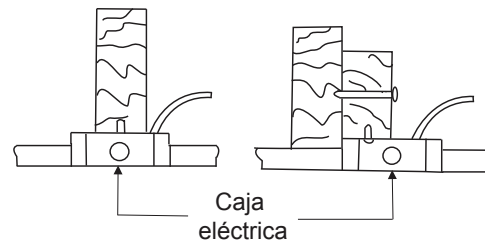


Fig. 2

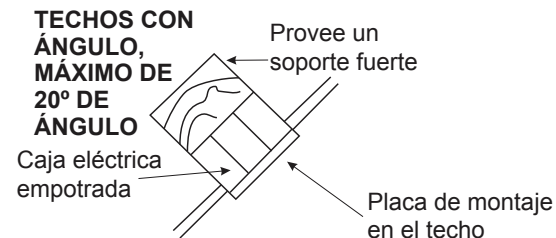
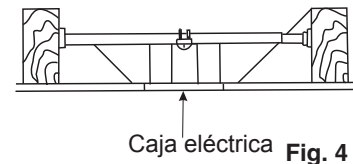


Fig. 3



Caja eléctrica Fig. 4

CÓMO COLGAR EL VENTILADOR

NOTA: PARA CANADÁ, ESTE VENTILADOR DEBE FIJARSE DIRECTAMENTE A LA ESTRUCTURA DEL EDIFICIO/VIGA DEL TECHO. NO ASEGURE ESTE VENTILADOR A UNA CAJA ELÉCTRICA. (Ver Fig. 6A)

RECUERDA desconectar la corriente antes de comenzar.

Para instalar adecuadamente tu ventilador de techo, sigue los pasos a continuación.

Paso 1. Quita la cubierta inferior decorativa de la cubierta girándola hacia la izquierda. (Fig. 5)

Paso 2. Retira el soporte de montaje del techo de la cubierta quitando (y guardando) uno de los dos tornillos. Afloja el tornillo restante media vuelta. (Fig. 5)

Paso 3. Pasa los cables de alimentación de 120 V desde la caja eléctrica del techo a través del centro del soporte de montaje del techo. (Fig. 6)

Paso 4. Fija el soporte de montaje en el techo a la caja eléctrica con los tornillos y las arandelas que se incluyen con la caja eléctrica. (Fig. 6)

Paso 4A. Asegura el soporte de montaje directamente a una viga de la estructura del inmueble. Utiliza únicamente los tornillos para madera y las arandelas de seguridad adecuados que se incluyen con el ventilador. (Fig. 7)

NOTA: ESTE PASO ES SOLO PARA CANADÁ.

PRECAUCIÓN: El soporte de suspensión debe instalarse directamente en la viga del inmueble utilizando los dos tornillos para madera y las arandelas que se proporcionan. (Fig. 7)

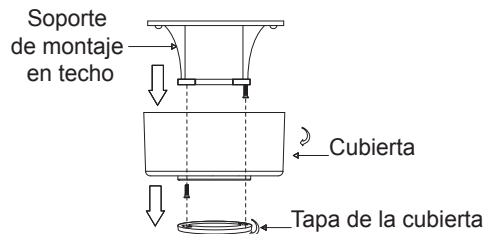


Fig. 5

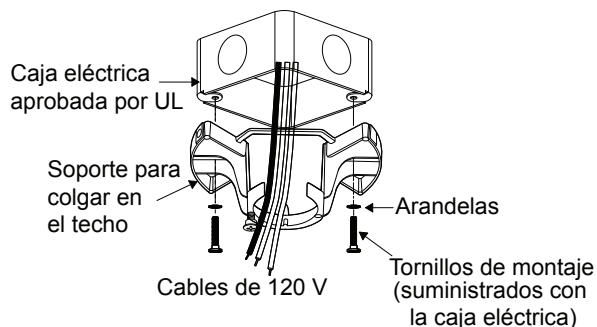


Fig. 6

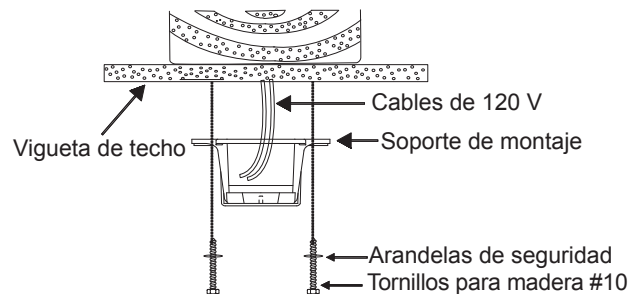


Fig. 7

CÓMO COLGAR EL VENTILADOR (continuación)

Paso 5. Retira la esfera de suspensión del conjunto del tubo bajante bajante el tornillo de fijación, desenroscando y quitando el pasador transversal y desatornillando la esfera del bajante. (Fig. 8)

Paso 6. Afloja los dos tornillos de fijación y retira el pasador de enganche y el clip de retención del acoplamiento en la parte superior del conjunto del motor. (Fig. 9)

Paso 7. Pasa con cuidado los cables conductores eléctricos desde el ventilador a través del tubo bajante. Enrosca el tubo bajante en el acoplamiento hasta que los orificios del pasador de enganche queden alineados.

A continuación, vuelve a colocar el pasador de enganche y el clip de retención. Aprieta ambos tornillos de fijación. (Fig. 9)

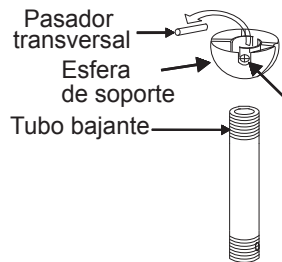


Fig. 8

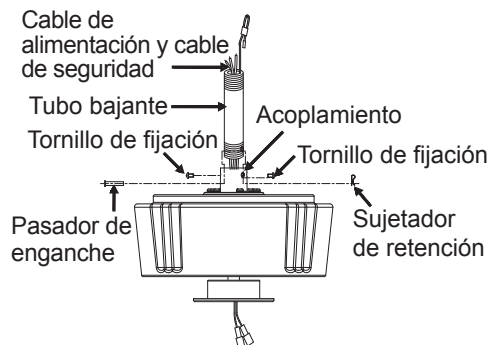


Fig. 9

CÓMO COLGAR EL VENTILADOR (continuación)

Paso 8. Desliza la cubierta del acoplamiento, la tapa de la cubierta y la cubierta misma por el tubo bajante. (Fig. 10)

Enrosca la esfera de suspensión en el tubo bajante, inserta el pasador transversal a través del tubo bajante y aprieta. Aprieta los tornillos de fijación.

Paso 9. Levanta el conjunto del motor del ventilador hasta su ubicación y coloca la esfera de soporte dentro del soporte de montaje en el techo.

Gira todo el conjunto hasta que la "Pestaña de verificación" haya caído en la "Ranura de registro" y se asiente firmemente. (Fig. 11)

Todo el conjunto del motor no debe girar (hacia la izquierda o hacia la derecha) cuando está asentado correctamente.

ADVERTENCIA: Si no vuelves a colocar el pasador transversal y no asientas la "pestaña de verificación", el ventilador puede caerse del techo durante el funcionamiento. Ten especial cuidado para asegurarte de que este pasador se vuelva a colocar.

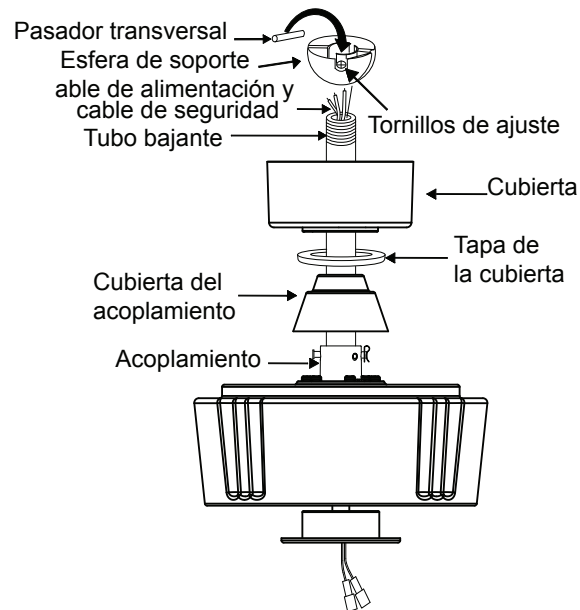


Fig. 10

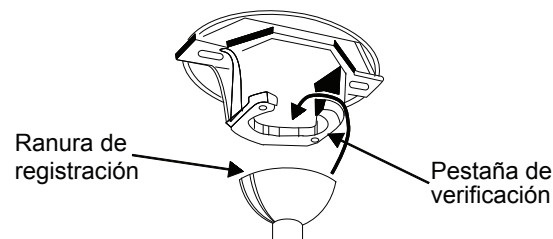


Fig. 11

CÓMO INSTALAR EL SOPORTE DE SEGURIDAD (Se requiere para la instalación en Canadá ÚNICAMENTE)

Se incluye un cable de soporte de seguridad para prevenir que el ventilador de techo se caiga, instálalo de la siguiente manera.

Paso 1. Sujeta el tornillo para madera y las arandelas suministrados a las vigas del techo junto al soporte de montaje pero no lo aprietes. (Fig. 12)

Paso 2. Ajusta el largo del cable de seguridad para que llegue al tornillo y las arandelas halando el cable adicional a través de la abrazadera del cable hasta que el largo general sea el correcto, vuelve a colocar el cable en la abrazadera y forma un bucle en el extremo del mismo. Aprieta firmemente la abrazadera del cable. Ahora, coloca el bucle en el extremo del cable de seguridad sobre el tornillo para madera de manera segura.

NOTA: Aunque el cable de soporte de seguridad se requiere solo para instalaciones canadienses, es una buena idea hacer la conexión con cualquier instalación.

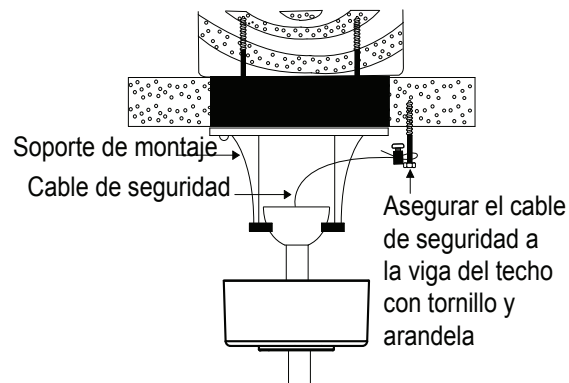


Fig. 12

CONEXIONES ELÉCTRICAS

ADVERTENCIA: Lee atentamente y conserva este manual de instrucciones para futuras consultas.

ADVERTENCIA: Para evitar posibles descargas eléctricas, asegúrate de que la electricidad esté apagada en el panel principal quitando el fusible o abriendo el cortacircuitos.

ADVERTENCIA: Este control está diseñado para usarse SOLAMENTE con “Ventiladores de techo con motor de CC”. NO lo uses con ningún otro tipo de electrodoméstico.

ADVERTENCIA: Todo el cableado debe cumplir con los códigos eléctricos nacionales y locales. Si consideras que no tienes suficiente conocimiento de electricidad, solicita la instalación del control a un electricista con licencia.

Paso 1. Inserta el receptor dentro del soporte de montaje de techo con el lado plano del receptor hacia el techo. (Fig. 13)

Para un mejor funcionamiento, asegúrate de que el cable de antena negro en el extremo del receptor permanezca extendido y no enredado con los cables de electricidad.

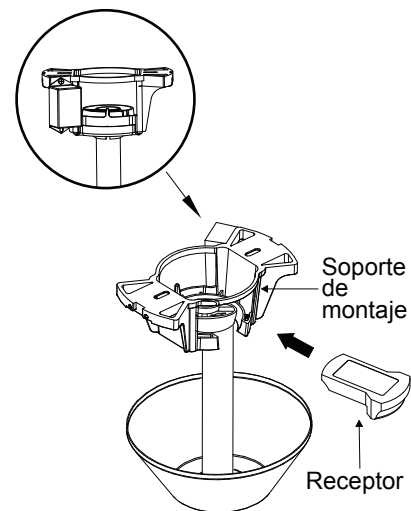


Fig. 13

CONEXIONES ELÉCTRICAS (continuación)

A. Conexión del cable del ventilador (Fig. 14)

Conecta el cable naranja del ventilador al cable naranja del receptor.

Conecta el cable marrón del ventilador al cable marrón del receptor.

Conecta el cable gris del ventilador al cable gris del receptor.

Conecta el cable azul del ventilador al cable azul del receptor.

Conecta el cable blanco del ventilador al cable blanco del receptor.

Asegura las conexiones de cable con las tuercas plásticas correspondientes (incluidas).

Alinea el cable negro del receptor con el cable marrón del filtro, alinea el cable blanco del receptor con el cable azul del filtro y luego conecta el adaptador moldeado.

Conecta el cable negro (positivo) del techo al cable marrón de la caja del filtro.

Conecta el cable blanco (neutro) del techo al cable azul de la caja del filtro.

Asegura las conexiones de cable con las tuercas plásticas correspondientes (incluidas).

Si tu caja eléctrica tiene un cable a tierra (verde o de cobre pelado), conéctalo a los cables a tierra del ventilador; de lo contrario, conecta el cable a tierra del soporte colgante al soporte de montaje. Asegura la conexión eléctrica con una tuerca plástica incluida. Después de conectar los cables, sepáralos de manera que los cables verde y blanco queden de un lado de la caja eléctrica y los cables negro y azul queden del otro lado. Con cuidado, mete todas las conexiones eléctricas dentro de la caja eléctrica.

NOTA: Recuerda cortar el exceso de cable conductor del cuerpo del ventilador antes de cablear para instalar fácilmente el receptor y la cubierta.

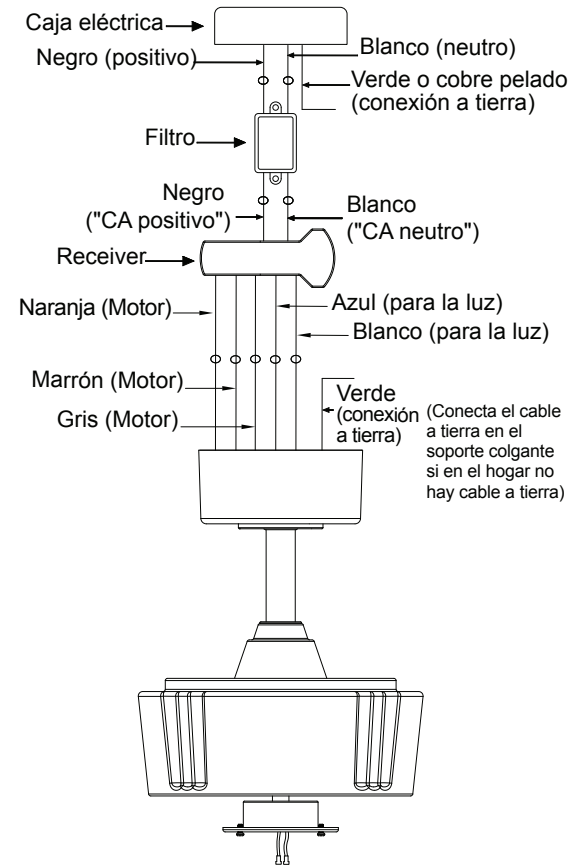


Fig. 14

CÓMO CONCLUIR LA INSTALACIÓN

Paso 1. Coloca todas las conexiones apropiadamente en la caja eléctrica del techo.

Paso 2. Desliza la cubierta hacia arriba hasta el soporte de montaje y coloca una de las ranuras con forma de ojo de cerradura sobre el tornillo de montaje en el soporte de montaje. Gira la cubierta hasta que la cabeza del tornillo encaje en su lugar en la sección estrecha del orificio tipo llave. (Fig. 15)

Paso 3. Alinea el orificio circular restante de la cubierta con el orificio restante del soporte de montaje en el techo. Inserta y aprieta el tornillo de montaje que retiraste anteriormente y el tornillo de montaje del paso 2 anterior. Ahora, fija la tapa de la cubierta a las cabezas de los tornillos de montaje insertando las cabezas de los tornillos en el lado inferior de la tapa de la cubierta y girándola hacia la derecha.

NOTA: Ajusta los tornillos de montaje de la cubierta según sea necesario hasta que la cubierta y la tapa de la cubierta estén ajustadas.

ADVERTENCIA: Asegúrate de que la "Pestaña de verificación" en la parte inferior del soporte de suspensión esté correctamente asentada en la "Ranura de registro" en el costado de la esfera de suspensión antes de colocar la cubierta en el soporte. Si no asientas correctamente la "Pestaña de verificación", se podrían dañar los cables eléctricos cuando se cambia la dirección de las aspas del ventilador de techo mientras el ventilador está funcionando.

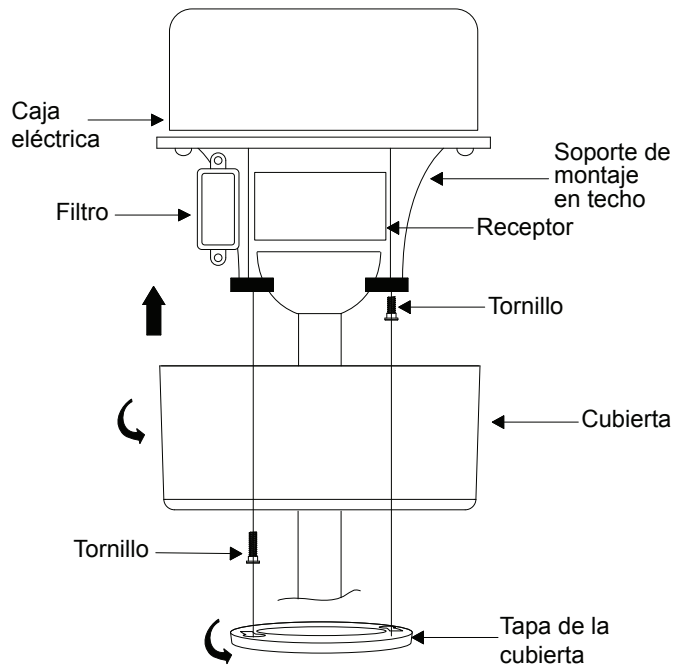


Fig. 15

CÓMO MONTAR LOS BRAZOS DE LAS ASPAS DEL VENTILADOR

Paso 1. Fija el brazo del aspa al conjunto del motor del ventilador apretando el tornillo del brazo del aspa en el conjunto del motor del ventilador. (Fig. 16)

Paso 2. Repite este procedimiento para los cuatro brazos de aspas restantes.

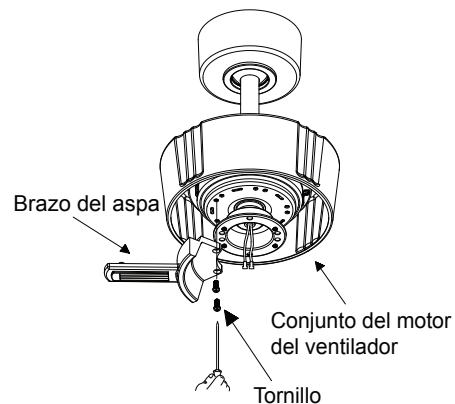


Fig. 16

CÓMO FIJAR LAS ASPAS DEL VENTILADOR

Paso 1. Alinea los orificios del aspa y la arandela con los orificios de los brazos del aspa y asegure el aspa en su lugar con los tornillos proporcionados. (Fig. 17)

Paso 2. Repite estos pasos para las cuatro aspas restantes.

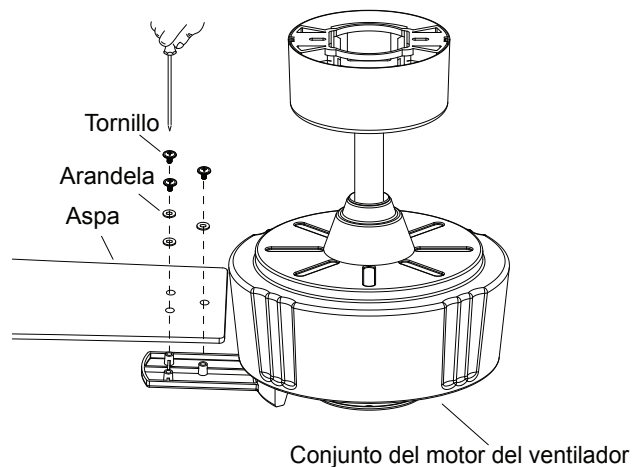


Fig. 17

CÓMO INSTALAR EL KIT DE LUCES

PRECAUCIÓN: “Para disminuir el riesgo de descarga eléctrica, desconecta el circuito de energía del ventilador antes de instalar el kit de luces.”

Paso 1. Retira el remate y la tuerca de la boquilla roscada del conjunto de la lámpara del kit de luces. (Fig. 18)

Paso 2. Afloja, quita y guarda los cuatro tornillos del anillo de montaje, fijados al eje del motor. Conecta los cables del conjunto del kit de luces a los cables del conjunto de la lámpara uniendo los enchufes del adaptador moldeado.

Paso 3. Alinea los orificios para tornillos de la bandeja del kit de luces con los orificios para tornillos del anillo de montaje del conjunto del motor del ventilador. Vuelve a instalar y aprieta los cuatro tornillos que retiraste anteriormente en el paso 2 de forma segura. (Fig. 19)

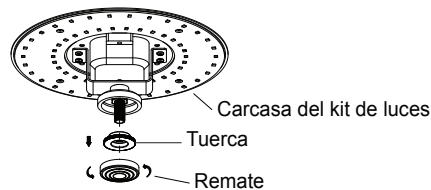


Fig. 18

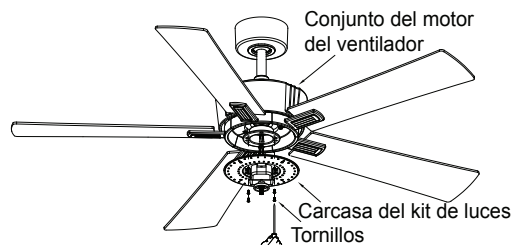


Fig. 19

CÓMO INSTALAR LA PANTALLA DE VIDRIO

Levanta la pantalla de vidrio contra la placa de luz y asegúrala apretando la tuerca y el remate. (Fig. 20)

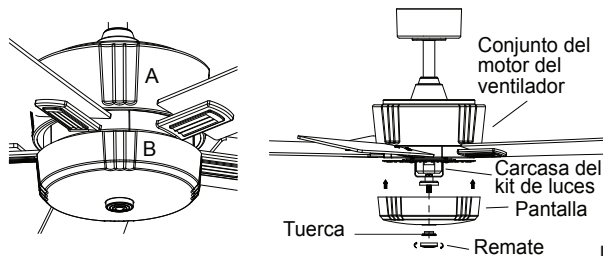




Fig. 20

CONFIGURACIÓN DEL SISTEMA DE CONTROL

 **ADVERTENCIA:** Peligro de quemaduras químicas. Mantener las baterías alejadas de los niños.

 **ADVERTENCIA:** Asegúrate de que la electricidad esté completamente desconectada antes de comenzar este procedimiento.

NOTA ESPECIAL: Tu nuevo ventilador de techo Kichler® es de última generación y emplea un motor de CC (corriente continua) de alta eficiencia con un avanzado sistema de control remoto CoolTouch™. El motor de CC utiliza un 70% menos de energía que un motor de inducción de CA de un ventilador de techo convencional. El motor de CC se controla "digitalmente" y funciona de manera diferente a los motores de ventiladores de techo convencionales.

Por favor, lee esta parte del manual en su totalidad, antes de proceder con la instalación.

Nuestro sistema de control CoolTouch™ incluye una función de "selección automática de frecuencia". Para configurar la frecuencia de control y programar el sistema de control, sigue estos pasos:

Abre la parte posterior del transmisor aflojando el tornillo (figura 21). El selector de frecuencia es un "bloque de interruptores DIP" dentro del compartimiento de la batería del transmisor (ver figura 22). Cambia las frecuencias colocando los pequeños interruptores numerados del 1 al 4 en una posición hacia arriba o hacia abajo. Son posibles 16 frecuencias o combinaciones. El quinto interruptor, marcado con D y X, configura el sistema para que funcione con lámparas incandescentes o fluorescentes. Es fundamental configurar correctamente este interruptor. Si tu ventilador de techo está equipado con lámparas incandescentes, coloca este interruptor en la posición D, para lámparas fluorescentes, coloca el interruptor en la posición X. Si se invierten estos ajustes, el sistema de control de iluminación funcionará de manera errática y podría dañar tu ventilador de techo.

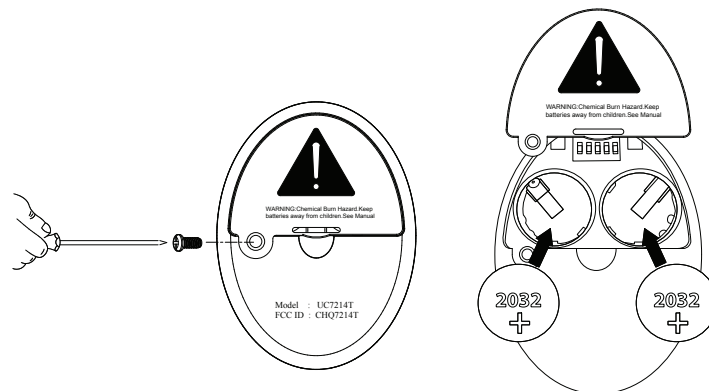


Fig. 21

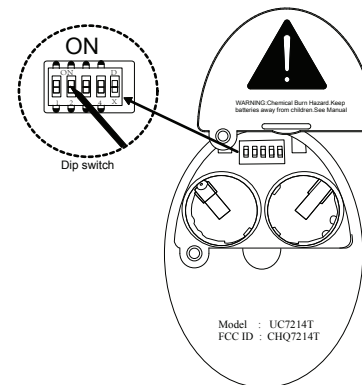


Fig. 22

Programación del sistema: Lee todos estos pasos antes de continuar.

Cada paso debe seguirse exactamente para programar correctamente el sistema de control.

1. Puedes dejar los interruptores de frecuencia en la configuración de fábrica o moverlos a cualquier combinación de arriba o abajo. Utiliza un destornillador pequeño de punta plana para mover los interruptores.
2. Inserta ambas baterías y asegúrate de que estén colocadas correctamente en cada orificio con el signo positivo + hacia arriba. Vuelve a colocar la cubierta de la batería. (Figura 21)
3. Prueba el transmisor presionando y soltando CUALQUIER botón brevemente. Una luz azul debe iluminarse debajo de los botones 3-4. (Fig. 23) Si no es así, asegúrate de que las baterías estén insertadas y asentadas correctamente.

Encendido y programación:

4. Sigue los pasos más abajo para configurar el control remoto.

La función de autoaprendizaje solo estará activa dentro de los 60 segundos después de encender la alimentación de CA del ventilador. (Figura 24)

5. Selecciona la frecuencia deseada en la parte posterior del transmisor.
6. Desde la parte posterior del transmisor, presiona y mantén presionado el botón "mantener" durante más de 5 segundos. Una vez que el receptor haya detectado la frecuencia, la luz parpadeará dos veces y el ventilador comenzará a funcionar automáticamente y comenzará a girar hacia la izquierda y en las RPM más altas durante 3 minutos. Cuando finaliza la rotación hacia la izquierda, el ventilador retrocederá automáticamente en dirección hacia la derecha nuevamente a las RPM más altas durante 3 minutos. El ventilador se apagará cuando finalice la prueba de autocalibración. La prueba de autocalibración durará en total unos 6 minutos.

NOTA: Si la prueba de autocalibración falló, desconecta la alimentación de CA; restaura la energía y efectúa la prueba de autocalibración nuevamente.

NOTA: Durante la prueba de calibración automática, el control remoto no funcionará.

NOTA: La función de frecuencia de aprendizaje y la prueba de autocalibración continuarán reteniendo la última frecuencia establecida y el último conjunto de calibración incluso cuando se apague la alimentación de CA. Si se cambia la frecuencia, la prueba de autocalibración volverá a ocurrir.

7. Tu sistema de control CoolTouch™ ahora está programado y listo para usar. Consulta las Instrucciones de funcionamiento.

El receptor proporciona la siguiente función de protección

1. Posición de bloqueo: El motor DC tiene una seguridad incorporada contra obstrucción durante la operación. Si hay una obstrucción, el motor se detendrá y luego se apagará automáticamente en 30 segundos. Retira la obstrucción y reinicia.
2. Protección contra más de 80 W: Cuando el receptor detecta un consumo de energía del motor superior a 80 W, la energía del receptor se detendrá y la operación se interrumpirá inmediatamente. Espera 5 segundos y luego vuelve a encender el receptor.

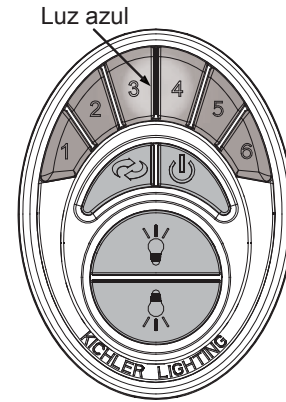


Fig. 23

Botón  Presionar/sostener

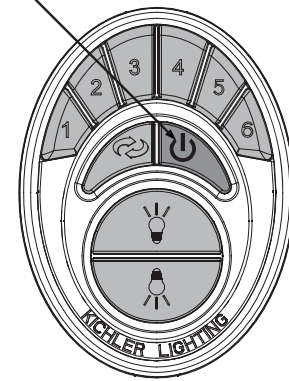


Fig. 24

INSTRUCCIONES DE BOTONES

Figura 25

Los botones 1, 2, 3, 4, 5 y 6 se utilizan para configurar la velocidad de las aspas de la siguiente manera:

1 = Velocidad baja

2 = Velocidad media baja

3 = Velocidad media

4 = Velocidad media alta

5 = Velocidad alta

6 = Velocidad extra alta

Figura 26

El botón de APAGADO DEL MOTOR:

Este botón apaga el motor del ventilador y también se usa en el procedimiento del programa.

El botón de CONTROL DE ILUMINACIÓN:

Este botón ENCIENDE o APAGA la luz inferior y también controla la configuración de intensidad. Mantén presionado cualquiera de los botones para establecer el nivel de intensidad deseado. La próxima vez que enciendas la luz, el sistema recordará esta configuración. Presiona y suelta cualquiera de los botones para ENCENDER o APAGAR la luz.

Figura 27

El botón "HACIA ADELANTE/REVERSA" se utiliza para configurar el ventilador en funcionamiento hacia adelante o hacia atrás. Cada vez que presiones este botón, las aspas del ventilador cambiarán de dirección. Este botón funciona SOLAMENTE cuando las aspas del ventilador están en movimiento.

NOTA OPERACIONAL: Cada vez que comiences a girar las aspas, a cualquier velocidad o en reversa, la dirección de las aspas, el sistema de control, realizará una "autocomprobación" para garantizar la integridad operativa. Las aspas girarán lentamente una distancia corta ($\frac{1}{4}$ de vuelta), pausarán, cambiarán de dirección, girarán $\frac{1}{4}$ de vuelta y luego aumentarán las RPM hasta la velocidad seleccionada. Este es un procedimiento perfectamente normal y garantiza un rendimiento operativo normal.

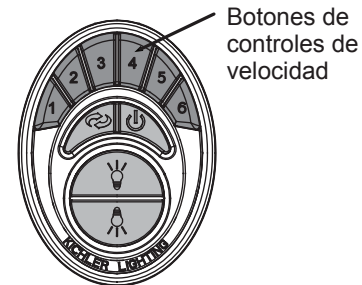


Fig. 25

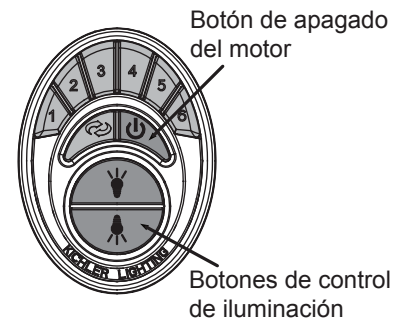


Fig. 26



Fig. 27

CÓMO INSTALAR LA PLACA DE PARED DEL SISTEMA DE CONTROL COOL TOUCH™

Selecciona una ubicación para instalar el transmisor del sistema de control de pared y la placa de pared.

ADVERTENCIA: Todo el cableado tiene que hacerse de acuerdo con el Código Nacional de Electricidad y los códigos locales correspondientes. La instalación eléctrica debe hacerse por un electricista calificado con licencia.

Selecciona una ubicación para instalar tu transmisor del sistema de control CoolTouch™. Puedes reemplazar un interruptor de pared existente o instalar el transmisor en CUALQUIER superficie plana.

Opción 1: Instala el sistema de control utilizando una caja eléctrica de interruptor de pared existente. Asegúrate de que la energía eléctrica esté APAGADA en el panel principal antes de continuar.

NOTA: La instalación del interruptor debe cumplir con todos los códigos eléctricos locales y nacionales.

Paso 1. Retira la placa de pared y el interruptor existentes de la caja eléctrica de pared. Conecta con una tuerca los cables NEGROS (positivos) y empújalos hacia adentro de la caja eléctrica. (Fig. 28)

Paso 2. Instala la placa de metal y la placa de pared CoolTouch™ en la caja eléctrica de pared existente con los 4 tornillos provisto. Luego coloca los dos tapones de plástico en la placa de pared. (Fig. 29)

Opción 2: Instala el sistema de control en CUALQUIER superficie plana.

Selecciona la ubicación deseada y utiliza la placa de pared CoolTouch™ para marcar la ubicación de los orificios de montaje. Utiliza los anclajes y/o tornillos de pared seca provistos y termina la instalación.

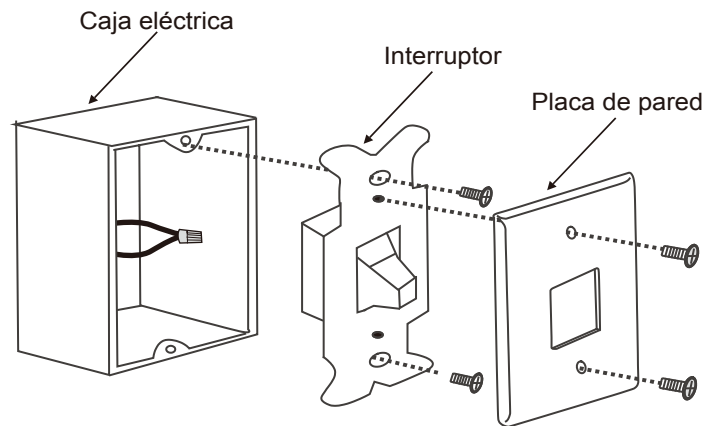


Fig. 28

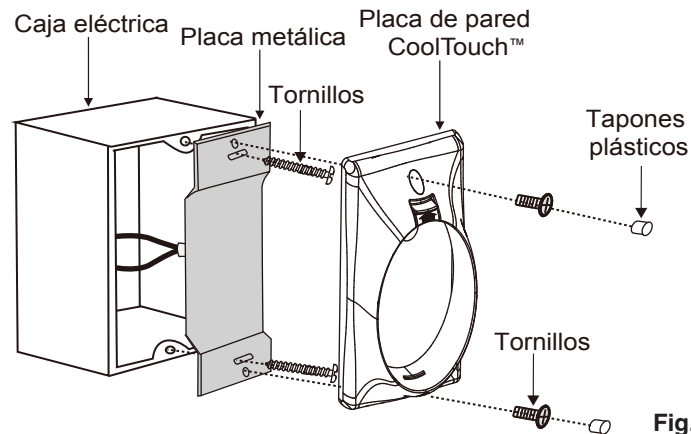


Fig. 29

CÓMO INSTALAR EL TRANSMISOR

1. Inserta el transmisor en la placa de pared insertando primero la parte inferior del transmisor y luego presiona la parte superior del transmisor en el bolsillo. El transmisor funcionará completamente desde esta ubicación o puede quitar el transmisor y usarlo como un dispositivo "de mano". (Fig. 30)
2. Presiona el botón de liberación para quitar el transmisor de la placa de pared.

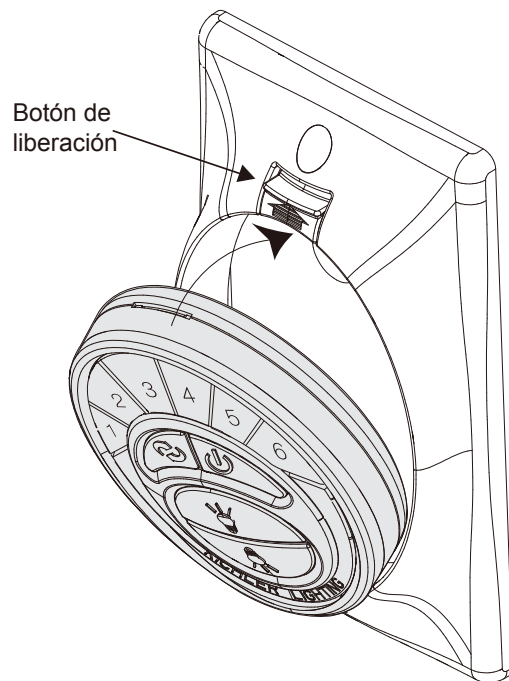


Fig. 30

INSTRUCCIONES DE USO

Clima cálido - Hacia adelante (hacia la izquierda).

Un flujo de aire hacia abajo crea un efecto de enfriamiento como se muestra en la Fig. 31. Esto te permite configurar tu equipo de aire acondicionado a una temperatura más alta sin afectar tu comodidad.

Clima fresco - Reversa (hacia la derecha).

Un flujo de aire ascendente mueve el aire caliente del techo como se muestra en la Fig. 32. Esto te permite configurar la unidad de calefacción a una temperatura más baja sin afectar tu comodidad.

NOTA: Para operar la función de reversa en este ventilador, presiona el botón de retroceso mientras el ventilador está funcionando.

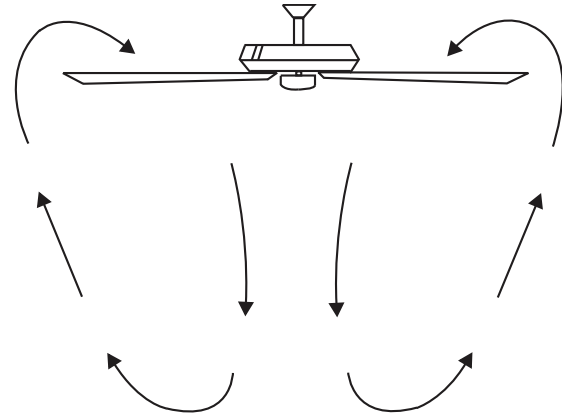


Fig. 31

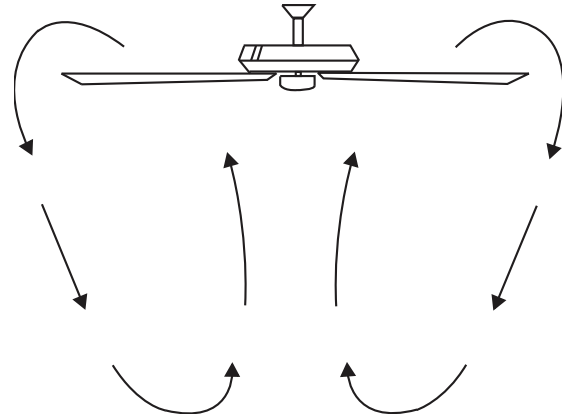


Fig. 32

SOLUCIÓN DE PROBLEMAS

Problema	Solución
El ventilador no enciende.	<ol style="list-style-type: none">1. Verifica los fusibles o cortacircuitos principales y secundarios.2. Revisa todas las conexiones eléctricas para garantizar un contacto adecuado. PRECAUCIÓN: Al verificar cualquier conexión eléctrica, asegúrate de que esté desactivada la electricidad principal.
El ventilador hace ruido.	<ol style="list-style-type: none">1. Asegúrate de que los tornillos de la carcasa del motor estén bien ajustados.2. Asegúrate de que los tornillos que unen los soportes de las aspas al motor estén bien ajustados.3. Asegura que las conexiones de tuerca de cable no friccionen unas con otras ni con la pared interior de la caja del interruptor. PRECAUCIÓN: Asegúrate de que la fuente principal de electricidad esté apagada.4. Permite un período de 24 horas de “adaptación”. La mayoría de los ruidos asociados con un ventilador nuevo desaparecen en ese período.5. Si usas un kit de luces opcional, asegúrate de que los tornillos que sujetan el vidrio estén bien apretados. Asegúrate de que las bombillas no estén tocando ningún otro componente.6. No conectes este ventilador a controles de velocidad variable montados en la pared. No son compatibles con los motores de los ventiladores de techo ni con los controles remotos.7. Asegúrate de que la cubierta esté a corta distancia del techo. No debe tocar el techo.
El ventilador oscila.	<ol style="list-style-type: none">1. Verifica que todas las aspas y los tornillos de sus brazos estén bien ajustados.2. La mayoría de los problemas de oscilación del ventilador se debe a que las aspas no están al mismo nivel. Verifica este nivel seleccionando un punto en el cielo raso sobre la punta de una de las aspas. Mide esta distancia. Gira el ventilador hasta que la siguiente aspa quede en posición para medir. Repite el procedimiento para cada aspa. Las desviaciones de distancia no deben pasar de 1/8” (3.2 mm).3. Si sigues notando oscilación, intercambiar dos aspas adyacentes (una al lado de la otra) puede redistribuir el peso y posiblemente mejorar el funcionamiento.
Funcionamiento incorrecto del control remoto.	<ol style="list-style-type: none">1. Los ventiladores de techo con sistemas de control remoto NO SE PUEDEN operar en conjunto con otro sistema de control A EXCEPCIÓN DE un interruptor de encendido y apagado básico para pared, si así lo deseas.

INFORMACIÓN DE LA FCC

Este dispositivo cumple con la parte 15 de las Normas FCC. Su operación está sujeta a las dos condiciones siguientes:

- 1) este dispositivo no causa una interferencia dañina, y
- 2) este dispositivo tiene que aceptar cualquier interferencia recibida, incluso aquella que pueda causar funcionamiento no deseado.

Nota: Este equipo ha sido probado y cumple con las exigencias de límites para un dispositivo digital de Clase B, según la Parte 15 de la normativa FCC. Estos límites fueron establecidos para dar protección razonable contra interferencia nociva en uso residencial. Este equipo genera, consume y puede irradiar energía de radiofrecuencia; si no se instala y usa de acuerdo con las instrucciones, puede causar interferencia nociva a comunicaciones radiales. Sin embargo, no hay garantía de que no ocurrirá interferencia en cierta instalación particular. Si este equipo causa interferencia nociva a la recepción de radio o televisión, lo cual puede determinarse encendiéndolo y apagándolo, se recomienda que el usuario trate de corregir la interferencia con una o más de las siguientes medidas:

- Reorienta o reubica la antena receptora.
- Aumenta la distancia entre el equipo y el receptor.
- Conecta el equipo a un tomacorriente en un circuito diferente al que está conectado el receptor.
- Consulta al distribuidor o a un técnico con experiencia en instalaciones de radio/TV.

KICHLER®

www.kichler.com

KICHLER® LIGHTING LLC
7711 EAST PLEASANT VALLEY ROAD
CLEVELAND, OHIO 44131

SERVICIO AL CLIENTE: 866.558.5706
DE LUNES A VIERNES, DE 8:00 AM A 5:00 PM
(HORA DEL ESTE)