

Installation Guide

Freestanding Heated Air Bath

Retain serial number for reference:
Conserver le numéro de série pour référence:
Guarde el número de serie para
referencia: _____
Français, page "Français-1"
Español, página "Español-1"

THE BOLD LOOK
OF **KOHLER**®

1385103-2-B

Installation Instructions



WARNING: When using electrical products, basic precautions should always be followed, including the following:



WARNING: Risk of electric shock. Connect all components to circuits protected by a Ground-Fault Circuit-Interrupter (GFCI)*.

Install to permit access for servicing.

A pressure wire connector marked "Earth/Ground" is provided within the wiring compartment. To reduce the risk of electric shock, connect this connector to the grounding terminal of your electric service or supply panel with copper wire equivalent in size to the circuit conductor supplying this equipment.

A pressure wire connector is provided on the exterior of the pump or control within this unit to permit connection of a bonding conductor between this unit and all the other exposed metal in the vicinity, as needed to comply with local requirements.

Grounding is required. The unit should be installed by a qualified service representative, and grounded.



WARNING: Risk of injury or property damage. Please read all instructions thoroughly before beginning installation, including the following requirements.



WARNING: Risk of electric shock. A qualified electrician should make all electrical connections.



WARNING: Risk of electric shock. Disconnect power before servicing.

NOTICE: Follow all local plumbing and electrical codes. In Canada, install this unit in accordance with the Canadian Electrical Code, Part 1.

*Outside North America, this device may be known as a Residual Current Device (RCD).

Product Information

Electrical Requirements

The installation must have **two** Class A Ground-Fault Circuit-Interrupter (GFCI). The GFCI protects against line-to-ground shock hazard. **Use a 120 V, 15 A, 60 Hz dedicated service for the blower. Use a separate 120 V, 15 A, 60 Hz dedicated service for the bubble heater.**

If the blower supply cord is damaged, it must be replaced by the manufacturer, its service agent, or similarly qualified persons in order to avoid a hazard.

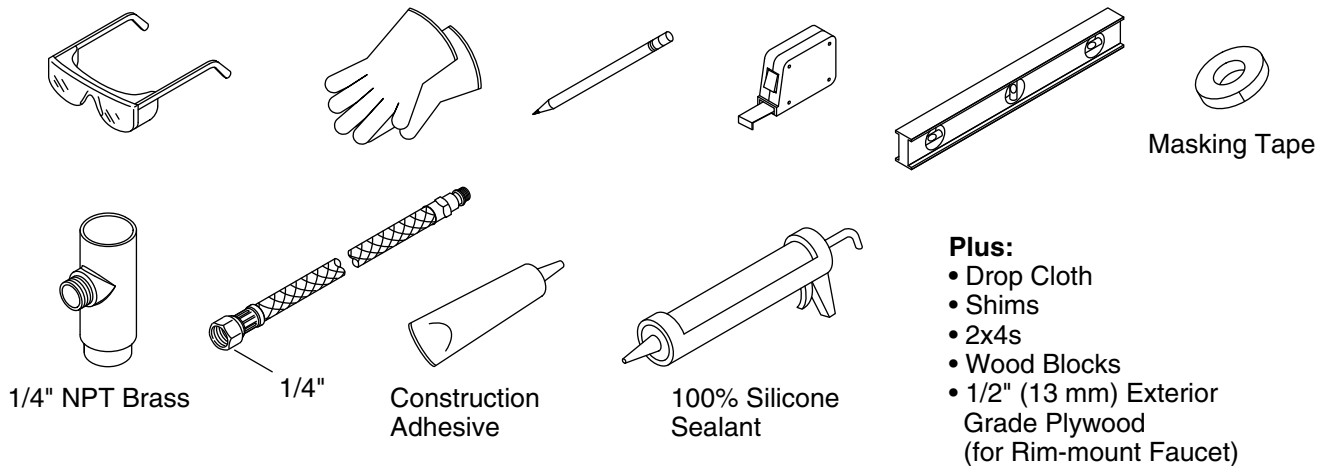
Product Notices

IMPORTANT! The recommended operating pressure for this system is 35-60 psi (241-414 kPa).

NOTICE: Keep the area around the blower clean and free of debris. Ensure that the area around the blower is free of sawdust, insulation, dirt, and other small loose debris. Such material can block the blower air ducts and reduce the air flow through the blower.

NOTICE: This product contains an automatic water purge mode that turns the blower on for 5 minutes after the unit is turned off and drained.

Tools and Materials



Before You Begin

NOTICE: This product requires remote blower installation. Refer to the instructions included with the remote blower kit before proceeding.

NOTICE: Adequate floor support must be provided. Note the **model number** on the components end of the bath, then visit the product page at kohler.com for additional information.

NOTICE: Do not lift the bath by the piping, or use the piping for structural support of the bath. To avoid damage to the bath, lift by the rim at the sides of the bath.

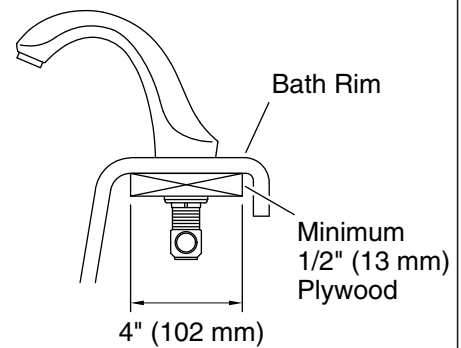
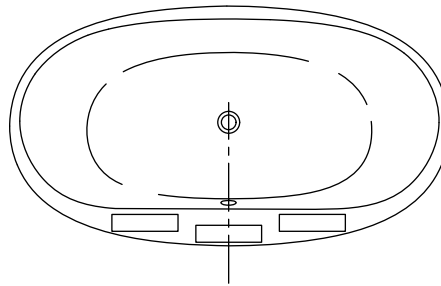
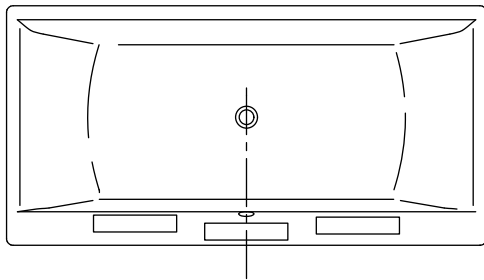
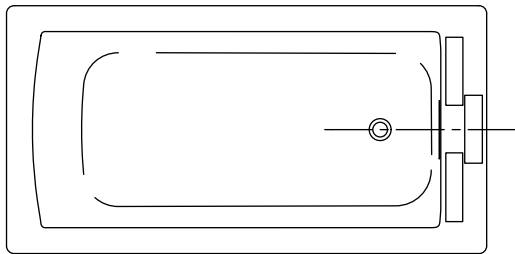
NOTICE: Before installing a rim-mount bath faucet, refer to the specification sheet on the bath product page at kohler.com.

NOTICE: Provide adequate backer board support for a rim-mount faucet; large faucets that may be inadvertently used as a means of support are not safe for this installation.

IMPORTANT! To ensure a successful installation, install the bath on a level, finished floor.

- Follow all local plumbing and building codes.
- Two people are needed to install this product.
- To simplify future maintenance, make sure all plumbing and control board connections around the bath are easily accessible.
- Use conduit to route electrical wires from the circuit breaker.
- Carefully plan moving the bath into the installation area. This bath will not easily fit through doorways.
- Unpack and inspect the bath and components for damage. Return the bath and components to the carton until installation.
- This bath is designed for freestanding installation only.
- If installing a rim-mount faucet, make sure there is no interference above or below the rim before drilling any holes.
- Illustrations shown may not look like your actual product but they still apply to this installation.

Recommended Faucet Location (See Specification Sheet for Dimensions)



1. Prepare the Rim-Mount Faucet (Optional)

NOTICE: Before installing a rim-mount bath faucet, refer to the specification sheet on the bath product page at kohler.com for faucet location dimensions for your model.

NOTICE: To accommodate the bath shroud, use flexible connections to attach the water supplies to a rim-mount faucet.

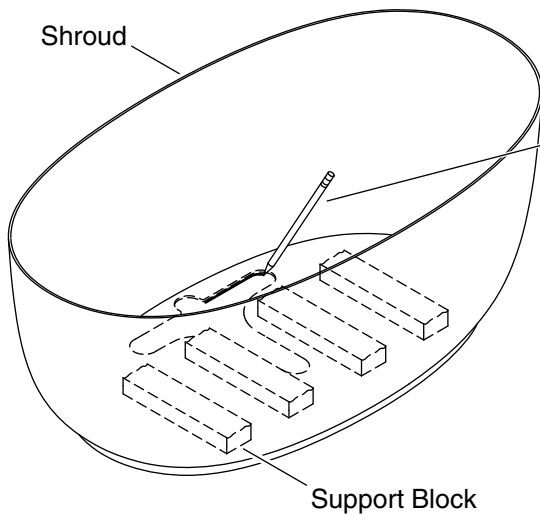
NOTICE: For rim-mount faucet installations, route the water supply lines high enough to permit access for making the final connections from above the shroud.

- Refer to the specification sheet on the bath product page at kohler.com to determine the recommended faucet location and drain model for your bath.
- Measure and cut a piece of 1/2" (13 mm) exterior grade plywood to support the faucet. The board should be 4" (102 mm) wide. The length should extend beyond the width of the faucet holes to ensure proper support.
- Locate the faucet in the recommended location on the bath rim. Make sure the faucet trim fits on the bath rim without overhang. Make sure there is no interference above or below the rim before drilling any holes.
- Refer to the installation instructions packed with the faucet to determine faucet hole size.
- Use a pencil to mark the faucet hole centerlines. Do not drill the holes at this time.

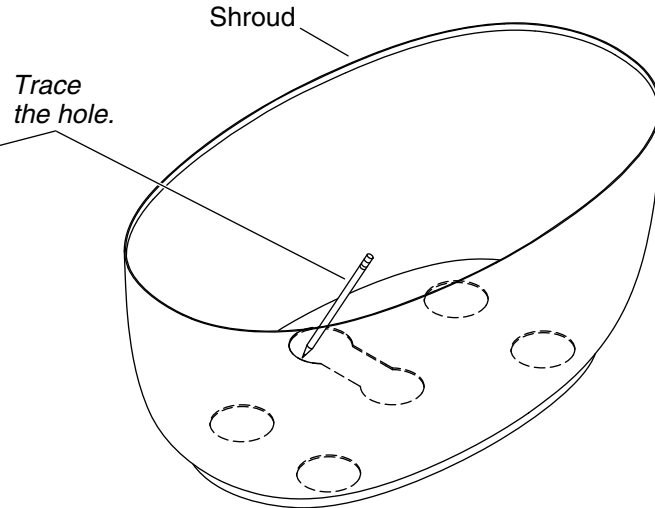
CAUTION: Risk of product damage. To avoid scratching the bath, position a thin piece of cardboard under any clamps before tightening.

- Position the plywood on the underside of the rim, then clamp in place. To protect the finished surface, apply masking tape beneath the cardboard anywhere the clamps will make contact with the finished surface of the bath. Make sure the clamps do not directly contact the finished surface of the bath.
- Carefully drill the faucet holes.
- Install the valve according to the installation instructions included with the valve. **Do not** install the faucet trim until instructed.

Models with Support Blocks



All Other Models



2. Prepare the Site

NOTICE: Measure your product for site preparation. Note the **model number** located on the components end of the bath, then visit the product page at kohler.com for additional information.

NOTICE: Remote blower installation is required for freestanding bath installation. Refer to the installation instructions included with the remote blower kit before installing the remote blower.

NOTICE: For models with support blocks, do not attempt to remove the hardened casting material covering the blocks. The casting material is required to properly position and install the bath.

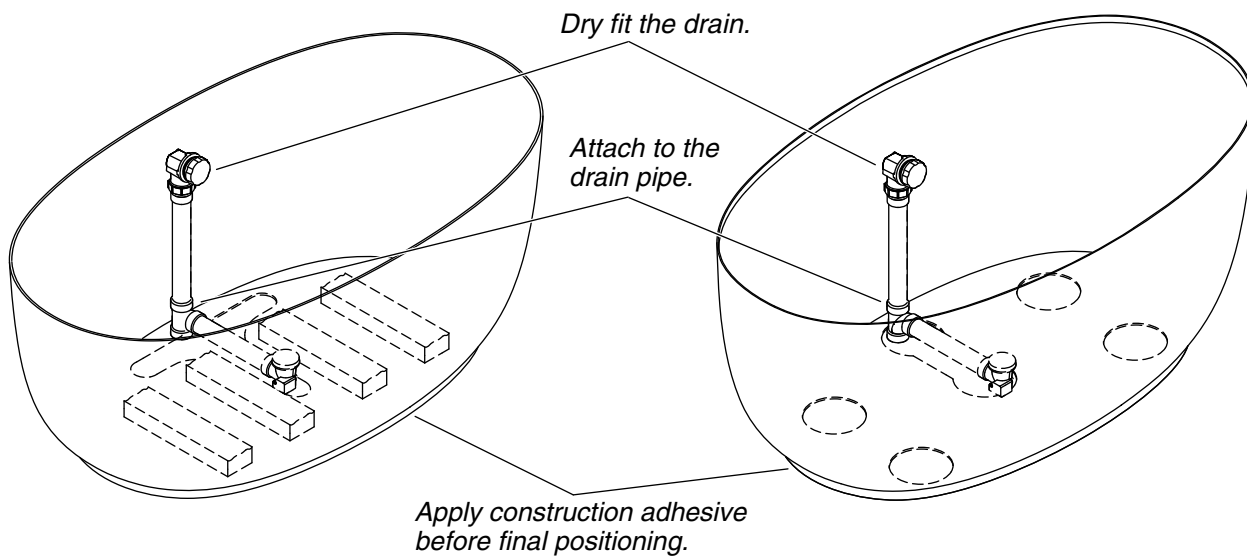
IMPORTANT! To ensure a successful installation, install the bath on a level, finished floor.

IMPORTANT! Make sure the subfloor offers adequate support for the bath.

- Follow all local plumbing and building codes.
- Temporarily position the bath and shroud in the installation location.
- If applicable, remove and discard the thin plastic film covering the support blocks.
- Verify that the **bath** is level. Shim under the shroud if necessary, and secure the shims to the floor with construction adhesive.
- Without moving the shroud, lift and remove the bath from the shroud.
- Use the drain area cutout in the shroud to trace the drain hole area on the floor.
- Remove the shroud and set it aside.
- Refer to the specification sheet on the bath product page at kohler.com to determine any drain clearance requirements, and cut adequate floor clearance as needed.
- Refer to the specification sheet on the bath product page at kohler.com for drain height details. Position and install a standard PVC or brass bath drain pipe to the correct height.

Models with Support Blocks

All Other Models



3. Prepare the Bath

NOTICE: Refer to the drain instructions to dry fit the drain to the bath. **Do not cement and complete the drain installation until instructed.**

- Dry fit the drain assembly to the bath. Refer to the drain instructions. **Do not apply sealant or cement** to the drain components at this time.
- Loosen the drain and overflow connections from the bath, and remove the drain assembly from the bath.
- Dry fit the drain assembly to the drain pipe, which has already been cut to the correct height.
- Temporarily position the shroud in place over the drain assembly.
- With help, temporarily lift the bath into place in the shroud. Make sure the bath rim is completely seated over the shroud to engage the alignment guides.
- Verify that the drain and overflow connections line up properly with the drain and overflow holes on the bath. Measure and record any adjustments needed to the drain or overflow tube lengths.
- Remove the bath and shroud, leaving the drain and overflow assembly attached to the drain pipe.
- Adjust the length of the drain tubes as needed to ensure drain alignment with the drain and overflow holes in the bath.
- Repeat these drain fit steps until the drain and overflow connections line up with the drain and overflow holes in the bath.
- Cement and assemble the drain and overflow components. Connect the drain tee to the drain pipe.
- Apply 100% silicone sealant to both sides of the drain and overflow gaskets.
- Apply slow-drying construction adhesive to the bottom of the shroud.
- Carefully position the shroud over the drain, aligning the hole with the traced mark on the floor.

GFCI-Protected Receptacle

24" (610 mm)
Maximum
Distance

Bubble Heater
Unit

GFCI-Protected
Receptacle

4. Install the Remote Blower

NOTICE: This product requires remote blower installation. Refer to the instructions included with the remote blower kit.

5. Make the Electrical Connections



DANGER: Risk of electric shock. Connect the blower motor, and bubble heater to properly grounded, grounding-type receptacles protected by a Ground-Fault Circuit-Interrupter (GFCI)*. Do not remove the grounding pins from the plugs. Do not use grounding adapters.



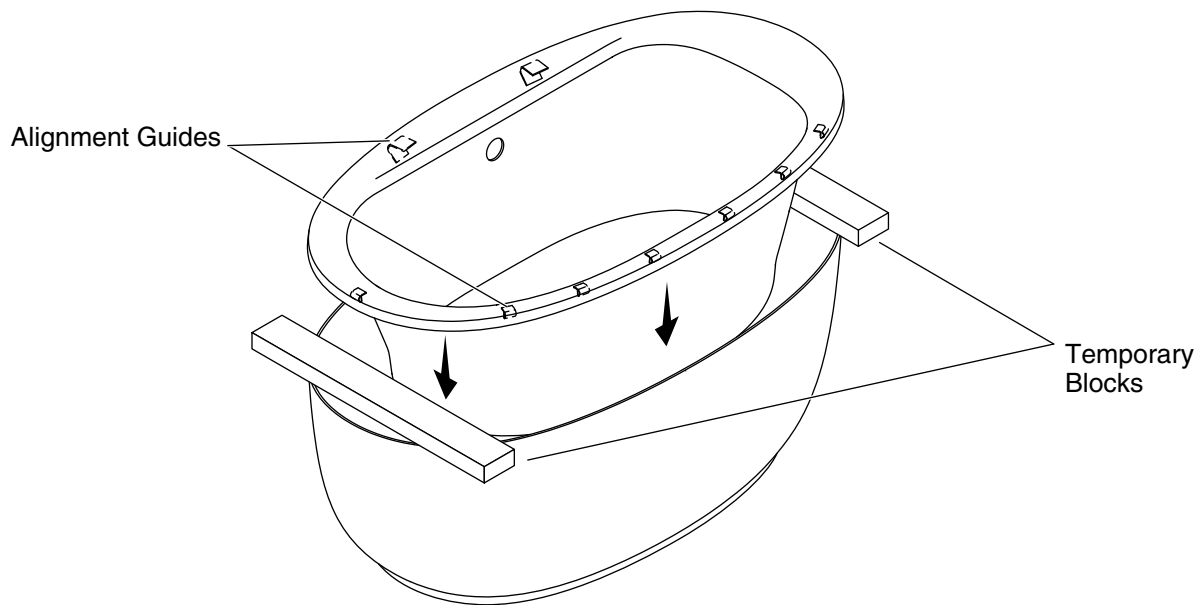
WARNING: Risk of electric shock. Make sure the power has been disconnected before performing the following procedures.

NOTICE: The blower and bubble heater are equipped with cords and plugs. A qualified electrician must install **two** GFCI*-protected, 120 V, 15 A, grounded outlets. No other load should be on these circuits.

- Install two GFCI*-protected electrical outlets within reach of the 24" (610 mm) power cords. One outlet will be within 24" (610 mm) of the blower. The other outlet will need to be within 24" (610 mm) of the bubble heater under the floor or inside of the shroud.
- Verify that the blower cord is plugged into the remote GFCI*-protected outlet.
- Plug the bubble heater cord into the separate GFCI*-protected outlet located under the floor or inside the shroud**.

*Outside North America, this device may be known as a Residual Current Device (RCD).

**It is recommended to remote the GFCI to an accessible location not under the shroud.

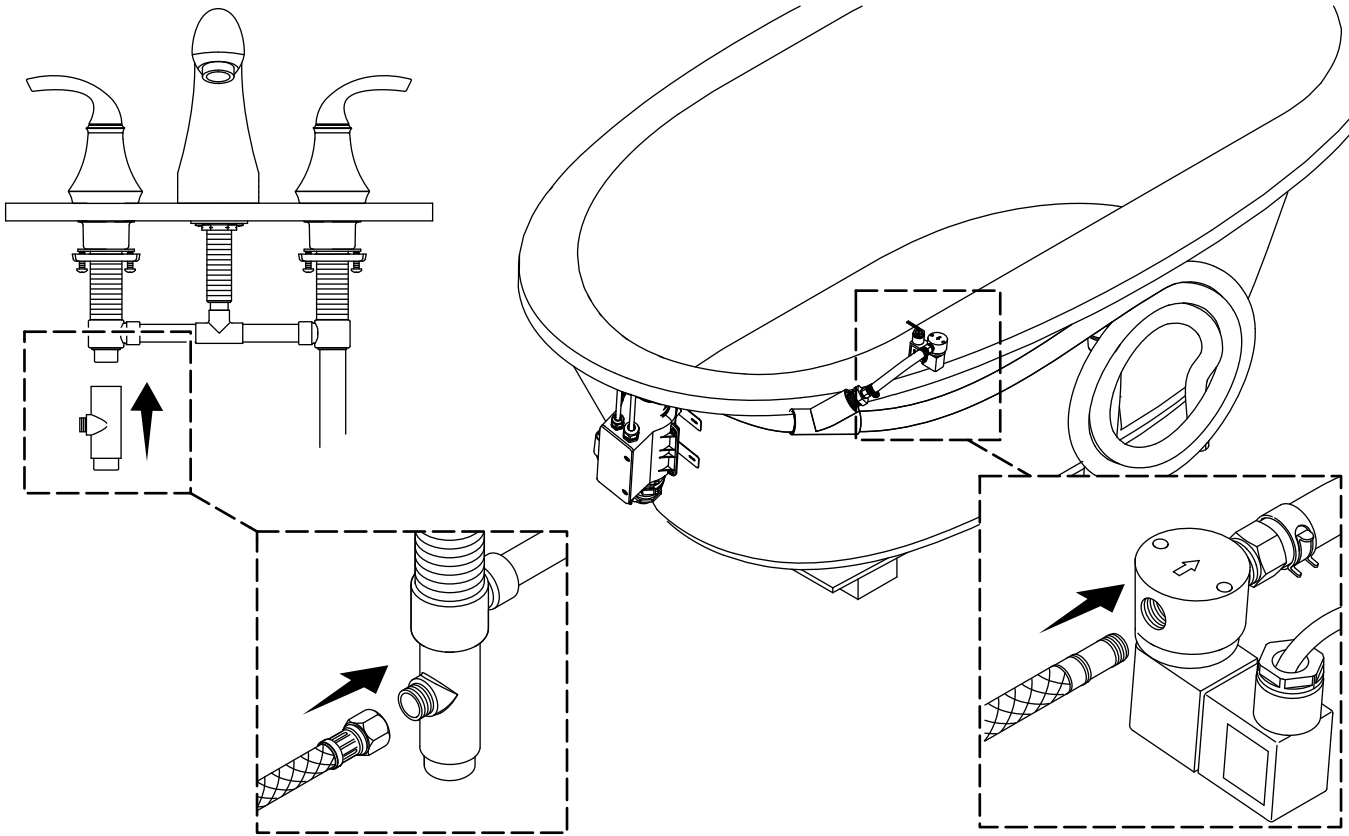


6. Install the Bath

NOTICE: Do not lift the bath by the piping, or use the piping for structural support of the bath. To avoid damage to the bath, lift by the rim at the sides of the bath.

NOTE: To provide access for securing the connections, temporarily position block spacers on opposing ends between the shroud and the bath rim. Position the blocks to avoid damaging the alignment guides located under the bath rim. The type of alignment guides may vary by product.

- With help, carefully lift the bath into place over the shroud and onto the temporary blocks.
- For a rim-mount faucet, install the faucet and trim according to the faucet and trim instructions. Make sure there is adequate support under the bath rim to support the faucet. Refer to the "Prepare the Rim-Mount Faucet (Optional)" section.



7. Connect the Bubble Heater

- Install the tee (not supplied) to the hot water valve on the bath faucet.
- Thread the supply hose (not supplied) onto the 1/4" NPT port of the tee.
- Thread the opposite side of the supply hose into the 1/4" NPT port of the solenoid valve. **Do not kink the hoses.**
- Verify that the bubble heater cord is plugged into the electrical outlet below the floor or in the shroud.

8. Complete the Installation

- Carefully remove the temporary blocks and make sure the bath rim engages the top of the shroud on all sides. Ensure that **all** alignment guides are inside the shroud; there should be no gap between the bath and the shroud.
- Install the drain flange and overflow cover according to the drain instructions.
- Close the bath drain. Fill the bath to the overflow, and check for leaks.
- If desired, apply a thin, continuous bead of clear or color-matched 100% silicone sealant to the seam between the shroud and the finished floor.

Test Run the Bath

- Check all electrical connections and make sure that the electrical power to the bath is on.
- Fill the bath to a level at least 4" (102 mm) above the top of the highest airjet.
- Operate the bath for 5 minutes and test the airjets.
- For additional information on bath operation, see the "Operating Instructions" section.

Important Safety Instructions

READ AND FOLLOW ALL INSTRUCTIONS

SAVE THESE INSTRUCTIONS

INSTRUCTIONS PERTAINING TO A RISK OF FIRE, ELECTRIC SHOCK, OR INJURY TO PERSONS



WARNING: When using electrical products, basic precautions should always be followed, including the following:



DANGER: Risk of accidental injury or drowning. To reduce the risk of injury, do not permit children to use this unit unless they are closely supervised at all times.



WARNING: Risk of personal injury. To avoid injury, exercise care when entering or exiting the bath.



WARNING: Risk of electric shock. Do not permit electric appliances (such as a hair dryer, lamp, telephone, radio, or television) within 5' (1.5 m) of this bath.



WARNING: The use of alcohol, drugs, or medication can greatly increase the risk of fatal hyperthermia. Prolonged immersion in hot water may induce hyperthermia. Hyperthermia occurs when the internal temperature of the body reaches a level several degrees above the normal body temperature of 98.6°F (37°C). The symptoms of hyperthermia include an increase in the internal temperature of the body, dizziness, lethargy, drowsiness, and fainting. The effects of hyperthermia include: (a) failure to perceive heat, (b) failure to recognize the need to exit the bath, (c) unawareness of impending hazard, (d) fetal damage in pregnant women, (e) physical inability to exit the bath, and (f) unconsciousness resulting in the danger of drowning.



WARNING: Risk of fetal injury. Pregnant or possibly pregnant women should consult a physician before using the bath.



WARNING: Risk of hyperthermia or drowning. Do not use the bath immediately following strenuous exercise.



WARNING: Risk of hyperthermia or drowning. Water temperature in excess of 100°F (38°C) may cause injury. Test and adjust the water temperature before use.



WARNING: Risk of personal injury. Never drop or insert any object into any opening.

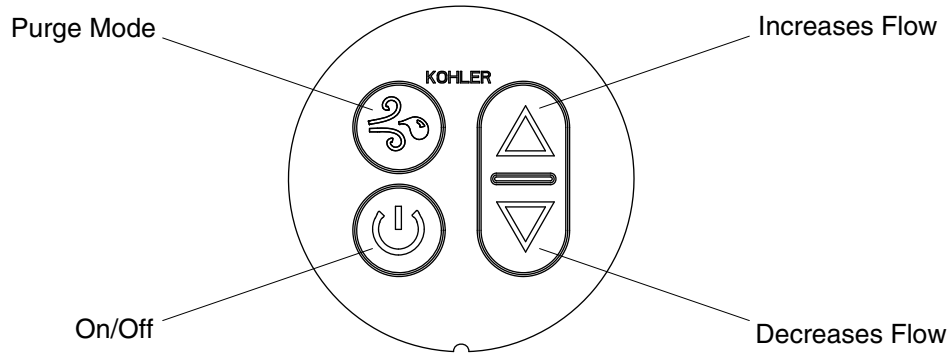
Use this bath only for its intended purpose as described in this guide. Do not use attachments not recommended by Kohler Co.

The bath must be connected only to a supply circuit that is protected by a Ground-Fault Circuit-Interrupter (GFCI)*. Such a GFCI should be provided by the installer and should be tested on a routine basis. To test the GFCI, press the test button. The GFCI should interrupt power. Press the reset button. Power should be restored. If the GFCI fails to operate in this manner, the GFCI is defective. If the GFCI interrupts power to the bath without the test button being pressed, a ground current is flowing, indicating the possibility of an electric shock. Do not use this bath. Disconnect the bath and have the problem corrected by a qualified service representative before using.

Repeated use of personal care products containing oils can damage plastic whirlpool components. Avoid using bath oils.

Whirlpool hydro-massage action can cause even a small amount of bubble bath, bath soap, shampoo, or bath oil to foam excessively. For this reason, please do not use these products during whirlpool operation.

*Outside North America, this device may be known as a Residual Current Device (RCD).



Operating Instructions

IMPORTANT! This product contains an automatic water purge mode that turns the blower on for 5 minutes after the unit is turned off and drained.

NOTE: The water temperature in the bath should never exceed 104°F (40°C).

- Close the drain, then fill the bath at least 4" (102 mm) above the top of the highest airjet.
- Use your hand to test the water temperature for comfort and safety, then carefully enter the bath.
- Press the [On/Off] icon to turn the blower on at medium speed.
- Press the [Up] or [Down] arrow icons to increase or decrease the air flow.
- Press the [On/Off] icon a second time to turn off the blower.
- Carefully exit and drain the bath.

NOTE: After the bath drains below the water level sensor, a 5 minute purge mode will automatically start.

NOTE: If the bath does not function properly, refer to the "Troubleshooting" section.

Care and Cleaning

- **Do not use powdered cleaners unless the cleaner is fully dissolved in water.** Solid substances could block the airjets.
- **Do not use full strength bleach or ammonia cleaning solutions.** Chemically active cleaning solutions can damage the bath surface.
- **Do not use abrasive cleansers or solvents on acrylic surfaces.** Abrasive cleaners and solvents can damage the bath surface.
- Wipe out your acrylic bath with a soft cloth after each use.
- Avoid detergents, disinfectants, or cleaning products in aerosol cans.

NOTE: To restore dull or scratched units: Apply white automotive polishing compound with a clean rag. Rub scratches and dull areas vigorously. Wipe off residue. Follow with a coat of white automotive paste wax. Do not wax areas where you walk or stand.

Cleaning Your User Keypad and Remote Control

- Use a soft cloth to wipe the keypad and remote control after each use. If the surface becomes dirty, use a non-abrasive soap and warm water to clean.

Care and Cleaning (cont.)

Maintaining the Airjets

- If cleaning the airjets is required due to hard water deposits, use a small between-the-teeth dental brush and white vinegar. Dip the brush in the vinegar, brush the hole, rinse the brush in clean water, and then use the wet rinsed brush to rinse the hole.
- Fill the bath with water to the top row of airjets. Drain the bath and press the purge button.

For detailed cleaning information and products to consider, visit www.kohler.com/clean. To order Care & Cleaning information, call 1-800-456-4537.

Troubleshooting

NOTICE: This section is for general aid only. A Kohler Co. Authorized Service Representative or qualified electrician should correct any electrical problems. For warranty service, call 1-800-4KOHLER from within the USA and Canada, or 001-800-456-4537 from within Mexico.

For service parts information, visit your product page at kohler.com/serviceparts.

Air Bath System

Symptoms	Probable Causes	Recommended Action
1. Blower turns on by itself after the bath has been drained.	A. Normal operation. Automatic purge mode is working as designed.	A. No action is required. Automatic purge mode runs for 5 minutes after the bath is drained.
2. Blower turns off by itself after running for 5 minutes.	A. The Purge Mode icon was pressed instead of the On/Off icon.	A. Press the On/Off icon on the keypad. See the air bath operating instructions section.
3. Blower motor will not start.	A. Power cord from blower motor is loose, disconnected, or damaged.	A. Check wiring for proper connections.
	B. User keypad cable loose or damaged.	B. Check wire connections. If necessary, replace user keypad cable.
	C. User keypad does not work.	C. Replace user keypad.
	D. Blower motor does not work.	D. Replace the blower motor.
4. Blower motor stops running and will not immediately restart.	A. Blower motor overheated and protection device activated.	A. Check for blockage at blower air intake. Remove blockage and allow motor to cool.
5. Blower motor starts, some but not all airjets are working.	A. Blower motor speed is too low.	A. Increase speed.
	B. Blower motor inlet is blocked.	B. Clean blower motor inlet.
	C. Blower motor does not work.	C. Replace the blower motor.
	D. Blower motor discharge is blocked.	D. Clear blockage.
	E. Airjets are clogged.	E. Use a small between-the-teeth dental brush and white vinegar. Dip the brush in the vinegar, brush the hole, rinse the brush in clean water, and then use the wet rinsed brush to rinse the hole.
6. Blower motor runs but no air bubbles are observed.	A. Blower motor inlet is blocked.	A. Clean blower motor inlet.
	B. Airjets are clogged.	B. Use a small between-the-teeth dental brush and white vinegar. Dip the brush in the vinegar, brush the hole, rinse the brush in clean water, and then use the wet rinsed brush to rinse the hole.
	C. Blower motor does not work.	C. Replace the blower motor.

Troubleshooting (cont.)		
Symptoms	Probable Causes	Recommended Action
7. Blower motor operates, air bubbles are observed, but speed feature does not work.	A. Blower motor inlet is blocked.	A. Clean blower motor inlet.
	B. Loose, disconnected, or damaged wiring harness.	B. Check wiring for proper connections. Replace the wiring harness if necessary.
	C. User keypad does not work.	C. Replace the user keypad.
	D. Blower motor does not work.	D. Replace the blower motor.
8. Blower motor does not turn off when the On/Off button is pressed.	A. User keypad does not work.	A. Replace the user keypad.
	B. Loose, disconnected, or damaged wiring harness.	B. Check wiring for proper connections. Replace the wiring harness if necessary.
	C. Control does not work.	C. Replace the control.
9. Blower motor runs but water is cooling off too quickly.	A. There is no power to the heated conduit.	A. Set/reset the GFCI supplying heated conduit; check wiring.
	B. There is a heated conduit fault.	B. Check for a blinking yellow light on the heated conduit. A yellow light indicates a system fault. Replace the heated conduit.
10. Low heat fault; Light blinks yellow once then repeats pattern after one second pause.	A. Water for solenoid valve connected to COLD supply.	A. Move water supply to hot water supply. Remove power to heated conduit for 10 seconds to reset.
	B. Water injection assembly not working.	B. Replace water injection assembly.
11. Thermistor fault; Light blinks yellow twice then repeats pattern after one second pause.	A. Faulty connection.	A. Check wiring for proper connections. Replace the heated conduit if necessary.
12. Communication fault; Light blinks yellow three times then repeats pattern after one second pause.	A. Loose connections cables.	A. Verify all wired connections between user interface, heated conduit, and blower are seated and stable. Remove power to heated conduit for 10 seconds to reset.
13. High heat fault; Light blinks yellow four times then repeats pattern after one second pause.	A. Water injection assembly not working.	A. Verify water is connected to HOT water supply. Remove power to heated conduit for 10 seconds to reset.
	B. There is a heated conduit fault.	B. Replace heated conduit.
14. Purge mode does not work.	A. User keypad does not work.	A. Replace the user keypad.
	B. Control does not work.	B. Replace the control.
15. Bath does not purge automatically.	A. Blower does not work.	A. Replace the blower.
	B. Water level sensors faulty.	B. Replace the wires.
	C. Water level sensors run together.	C. Separate the wires so that they run along different sides of the bath.

Guide d'installation

Baignoire à jets d'air chauffée autoportante

Instructions d'installation



WARNING: Lors de l'utilisation de produits électriques, toujours observer les précautions de base, dont les suivantes :



WARNING: Risque de choc électrique. Raccorder tous les composants à des circuits protégés par un disjoncteur de fuite de terre (GFCI).*

Installer de façon à permettre un accès pour l'entretien.

Un connecteur à pression pour câbles marqué « Earth/Ground » (Terre/Masse) est fourni dans le compartiment de câblage. Afin de réduire les risques de choc électrique, raccorder ce connecteur à une borne de terre du panneau de service électrique ou du panneau d'alimentation avec un câble en cuivre ayant la même dimension que le conducteur du circuit qui alimente cet équipement.

Un connecteur à pression pour câbles est fourni à l'extérieur de la pompe ou de la commande de cet appareil afin de permettre la connexion d'un conducteur de mise à la terre entre cet appareil et toutes les autres surfaces de métal avoisinantes, tel que requis par les réglementations locales.

Une mise à la terre est requise. L'ensemble doit être installé par un représentant qualifié et doit être mis à la terre.



WARNING: Risque de blessures ou d'endommagement du matériel. Toutes les instructions doivent être lues avec la plus grande attention avant de commencer l'installation, et toutes les conditions suivantes doivent être respectées.



WARNING: Risque de choc électrique. Un électricien qualifié doit effectuer toutes les connexions électriques.



WARNING: Risque de choc électrique. Déconnecter l'alimentation électrique avant d'effectuer un entretien.

NOTICE: Respecter tous les codes de plomberie et électriques locaux. Au Canada, installer cet ensemble conformément au Code canadien de l'électricité, Partie 1.

*Hors de l'Amérique du Nord, ce dispositif peut être connu sous le nom de dispositif à courant résiduel (RCD).

Renseignements sur le produit

Installations électriques requises

Cette installation doit être munie de **deux** disjoncteurs de fuite de terre (GFCI) de classe A. Le disjoncteur GFCI protège contre les risques d'électrocution de tension phase-terre. **Utiliser une alimentation de 120 V, 15 A, 60 Hz dédiée pour le souffleur. Utiliser une alimentation de 120 V, 15 A, 60 Hz dédiée et séparée pour le chauffe-bulles.**

Si le cordon d'alimentation du souffleur est endommagé, il doit être remplacé par le fabricant, son représentant ou des professionnels qualifiés dans ce domaine afin d'éviter tout danger.

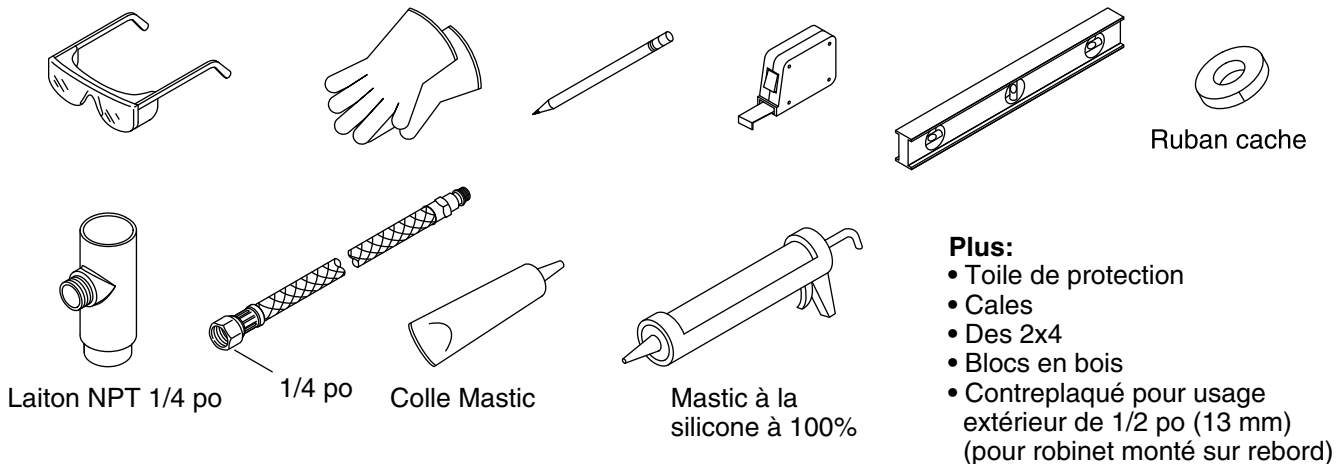
Notices du produit

IMPORTANT! La pression de fonctionnement recommandée pour ce système est 35 à 60 psi (241 à 414 kPA).

NOTICE: Garder l'espace autour du souffleur propre et exempt de débris. S'assurer que l'espace autour du souffleur est exempt de sciure, de matériau isolant, de saleté ou d'autres petits débris volatiles. De tels matériaux pourraient boucher les conduits d'air du souffleur et réduire le débit d'air à travers le souffleur.

NOTICE: Ce produit comprend un mode de purge d'eau automatique qui met le souffleur en marche pendant 5 minutes après l'arrêt et la vidange du dispositif.

Outils et matériel



Avant de commencer

NOTICE: Ce produit exige l'installation d'un souffleur à distance. Consulter les instructions accompagnant le kit du souffleur à distance avant de continuer.

NOTICE: Un support de plancher adéquat doit être fourni. Noter le **numéro de modèle** se trouvant sur le côté composants de la baignoire, puis visiter la page du produit sur le site kohler.com pour obtenir de l'information supplémentaire.

NOTICE: Ne pas soulever la baignoire par la tuyauterie, et ne pas utiliser celle-ci comme support structurel de la baignoire. Afin d'éviter tout endommagement de la baignoire, soulever celle-ci par le rebord, sur les côtés.

NOTICE: Avant d'installer un robinet de baignoire à montage sur rebord, se reporter à la fiche de spécifications de la page du produit de la baignoire sur le site kohler.com.

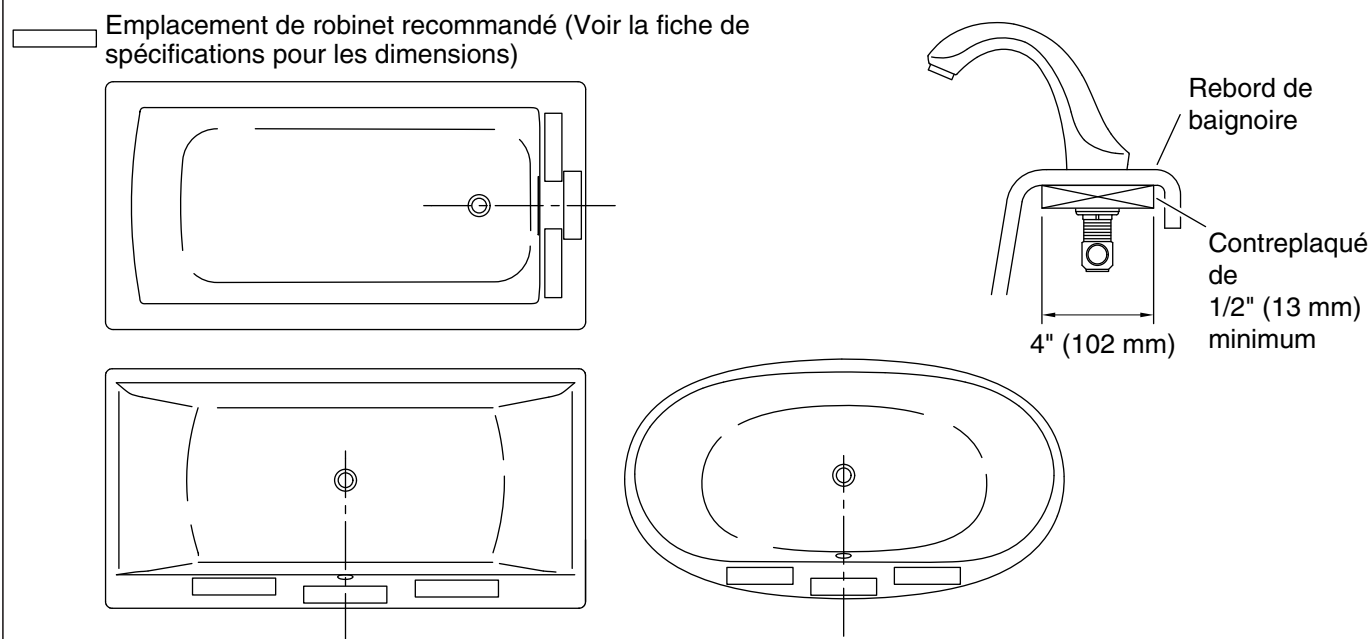
NOTICE: Fournir un support avec planche d'appui adéquat pour un robinet à montage sur rebord; les robinets de grande taille qui auraient été utilisés par inadvertance comme moyen de support ne sont pas sécuritaires pour cette installation.

IMPORTANT! Pour assurer une installation réussie, installer la baignoire sur un plancher fini de niveau.

- Respecter tous les codes de plomberie et de bâtiment locaux.
- Deux personnes sont nécessaires pour installer ce produit.
- Pour simplifier la maintenance future, s'assurer qu'il est possible d'accéder sans difficulté à toutes les connexions de plomberie et du tableau de commande autour de la baignoire.
- Utiliser le conduit pour acheminer les fils électriques en provenance du disjoncteur.
- Planifier avec attention le déplacement de la baignoire dans l'emplacement d'installation. Cette baignoire ne passe pas facilement par les entrées de portes.
- Déballer et inspecter la baignoire et les composants pour détecter tout dommage. Remettre la baignoire et les composants dans l'emballage jusqu'à l'installation.
- Cette baignoire est conçue pour une installation autoportante uniquement.
- Lorsqu'on installe un robinet sur rebord, s'assurer qu'il n'y ait pas d'interférence au-dessus ou au-dessous du rebord avant de percer des trous.

Avant de commencer (cont.)

- Les illustrations pourraient ne pas ressembler au produit réel, mais elles s'appliquent néanmoins pour cette installation.



1. Préparer le robinet monté sur rebord (optionnel)

NOTICE: Avant d'installer un robinet de baignoire à montage sur rebord, se reporter à la fiche de spécifications de la page du produit de la baignoire sur le site kohler.com pour les dimensions de l'emplacement du robinet pour le modèle en question.

NOTICE: Pour adapter l'enveloppe de la baignoire, utiliser des raccords flexibles pour attacher les arrivées d'eau sur un robinet monté sur le rebord.

NOTICE: Pour les installations à montage sur rebord, acheminer les conduites d'arrivée d'eau assez haut pour permettre un accès en vue d'effectuer les connexions finales à partir du dessus de l'enveloppe.

- Se reporter à la fiche de spécifications sur la page du produit de la baignoire sur le site kohler.com afin de déterminer l'emplacement du robinet et le modèle du drain recommandés pour la baignoire en question.
- Mesurer et couper un morceau de contreplaqué extérieur de 1/2 po (13 mm) pour supporter le robinet. La largeur de la planche doit être égale à 4 po (102 mm). La longueur doit se prolonger au-delà de la largeur des trous du robinet pour assurer un support adéquat.
- Positionner le robinet dans l'emplacement recommandé sur le rebord de la baignoire. S'assurer que la garniture du robinet s'adapte sur le rebord de la baignoire sans surplomber. S'assurer qu'il n'y ait pas d'interférence au-dessus ou au-dessous du rebord avant de percer des trous.
- Se reporter aux instructions d'installation accompagnant le robinet pour déterminer la taille des trous du robinet.
- Utiliser un crayon pour marquer les lignes centrales des trous du robinet. Ne pas percer de trous pour l'instant.

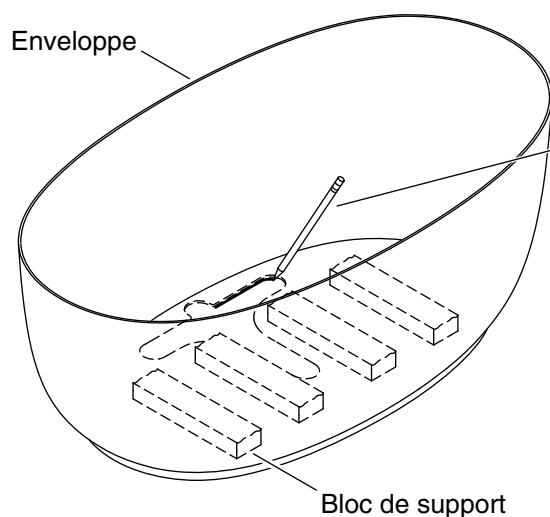
CAUTION: Risque d'endommagement du produit. Pour éviter de rayer la baignoire, positionner un fin morceau de carton sous les brides avant de serrer.

- Positionner le contreplaqué sur le dessous du rebord, puis le serrer en place avec des brides. Pour protéger la surface finie, appliquer du ruban-cache sous le carton, partout où les brides entreraient en contact avec la surface finie de la baignoire. Assurer que les brides ne rentrent pas en contact direct avec la surface finie de la baignoire.
- Percer les trous pour le robinet avec précaution.

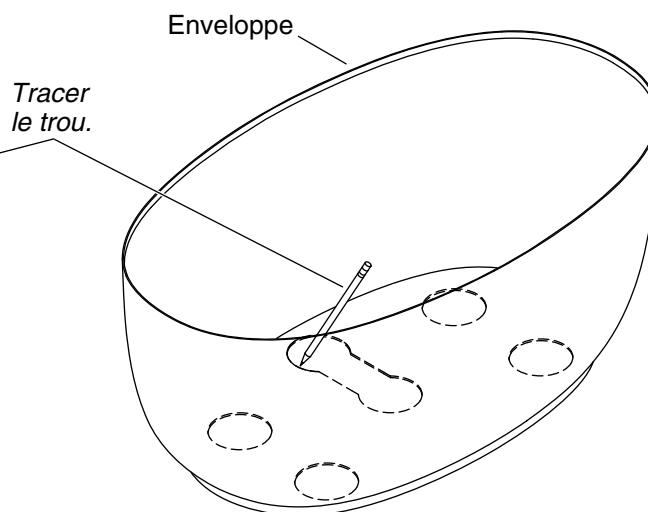
Préparer le robinet monté sur rebord (optionnel) (cont.)

- Installer la vanne en suivant les instructions d'installation accompagnant celle-ci. **Ne pas** installer la garniture du robinet avant instructions spécifiques.

Modèles avec des blocs de support



Tous les autres modèles



2. Préparer le site

NOTICE: Mesurer le produit pour la préparation du site. Noter le **numéro de modèle** se trouvant sur le côté composants de la baignoire, puis visiter la page du produit sur le site kohler.com pour obtenir de l'information supplémentaire.

NOTICE: Une installation de souffleur à distance est requise pour une installation de baignoire autoportante. Consulter les instructions d'installation accompagnant le kit du souffleur à distance avant d'installer le souffleur à distance.

NOTICE: Pour les modèles munis de blocs de support, ne pas essayer de retirer le matériau du moulage durci qui couvre les blocs. Le matériau de moulage est requis pour positionner et installer la baignoire correctement.

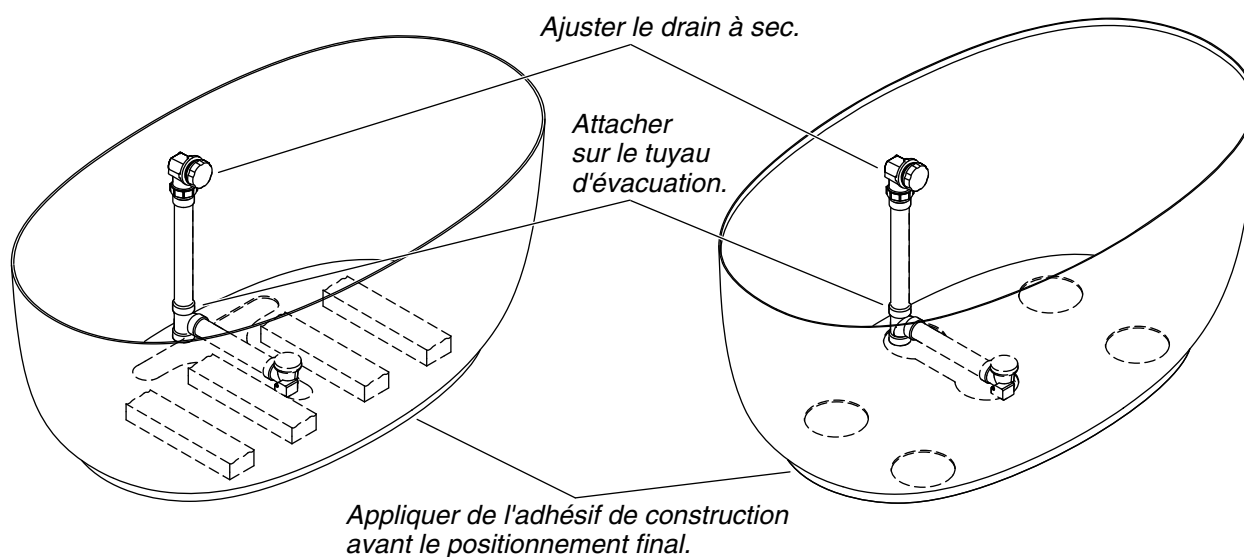
IMPORTANT! Pour assurer une installation réussie, installer la baignoire sur un plancher fini de niveau.

IMPORTANT! S'assurer que le sous-plancher offre un support adéquat pour la baignoire.

- Respecter tous les codes de plomberie et de bâtiment locaux.
- Positionner temporairement la baignoire et l'enveloppe dans l'emplacement d'installation.
- Le cas échéant, retirer et jeter le film léger en plastique qui couvre les blocs de support.
- Vérifier que la **baignoire** est de niveau. Poser des cales sous l'enveloppe si nécessaire, et fixer les cales au plancher avec de l'adhésif de construction.
- Sans déplacer l'enveloppe, lever et retirer la baignoire de l'enveloppe.
- Utiliser la découpe de la surface du drain dans l'enveloppe pour tracer la surface du trou du drain sur le plancher.
- Retirer l'enveloppe et la mettre de côté.
- Se reporter à la fiche de spécifications sur la page du produit de la baignoire sur le site kohler.com pour déterminer les exigences de dégagement du drain, et découper le dégagement au plancher adéquat au besoin.
- Se reporter à la fiche de spécifications sur la page du produit de la baignoire sur le site kohler.com pour obtenir de l'information détaillée sur la hauteur du drain. Positionner et installer un tuyau d'évacuation de baignoire standard en PVC ou en laiton à la hauteur correcte.

Modèles avec des blocs de support

Tous les autres modèles



3. Préparer la baignoire

NOTICE: Se reporter aux instructions accompagnant le drain pour ajuster celui-ci à sec sur la baignoire. **Ne pas cimenter et ne pas terminer l'installation du drain avant d'en avoir reçu l'instruction.**

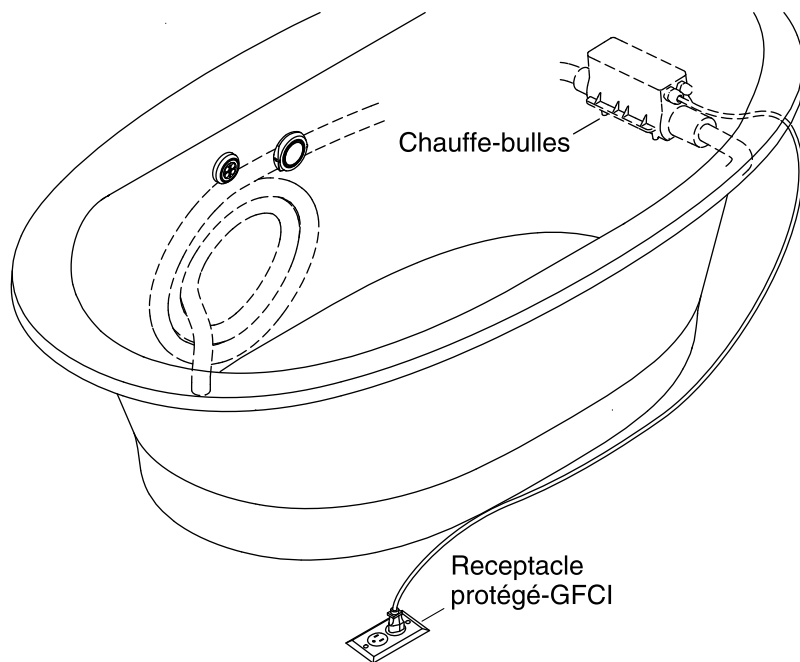
- Ajuster l'ensemble du drain à sec sur la baignoire. Se reporter aux instructions accompagnant le drain. **Ne pas appliquer de mastic ou de ciment** sur les composants du drain à ce point.
- Desserrer les raccords du drain et du trop-plein de la baignoire et retirer l'ensemble du drain de la baignoire.
- Assembler l'ensemble du drain à sec sur le tuyau d'évacuation qui a déjà été coupé à la hauteur adéquate.
- Positionner temporairement l'enveloppe en place par-dessus l'ensemble du drain.
- Avec de l'aide, lever la baignoire temporairement pour la positionner dans l'enveloppe. S'assurer que le rebord de la baignoire est entièrement assis par-dessus l'enveloppe pour engager les guides de centrage.
- Vérifier que les raccords du drain et du trop-plein soient alignés correctement sur les trous du drain et du trop-plein sur la baignoire. Mesurer et noter tous les ajustements nécessaires pour les longueurs des tubes d'évacuation et de trop-plein.
- Retirer la baignoire et l'enveloppe en laissant l'ensemble drain et trop-plein attachés sur le tuyau d'évacuation.
- Ajuster la longueur des tubes d'évacuation selon les besoins afin d'assurer l'alignement du drain avec les trous du drain et du trop-plein dans la baignoire.
- Répéter ces étapes d'adaptation du drain jusqu'à ce que les raccords du drain et du trop-plein soient alignés avec les trous du drain et du trop-plein dans la baignoire.
- Cimenter et assembler les composants du drain et du trop-plein. Raccorder le té du drain au tuyau d'évacuation.
- Appliquer du mastic à la silicone à 100% sur les deux côtés des joints statiques du drain et du trop-plein.
- Appliquer de la colle mastic à séchage lent sur le fond de l'enveloppe.

Préparer la baignoire (cont.)

- Positionner avec précaution l'enveloppe par-dessus le drain, en alignant le trou avec les repères tracés sur le plancher.

Prise de courant protégé par GFCI

Distance maximum de 24" (610 mm)



4. Installer le souffleur à distance

NOTICE: Ce produit exige l'installation d'un souffleur à distance. Consulter les instructions accompagnant le kit du souffleur à distance.

5. Effectuer les connexions électriques



DANGER: Risque de choc électrique. Raccorder le moteur du souffleur et le chauffe-bulles à des prises de courant avec mise à la terre et mises à la terre de manière adéquate protégées par un disjoncteur de fuite de terre (GFCI)*. Ne pas retirer les broches de mise à la terre des fiches. Ne pas utiliser des adaptateurs de mise à la terre.



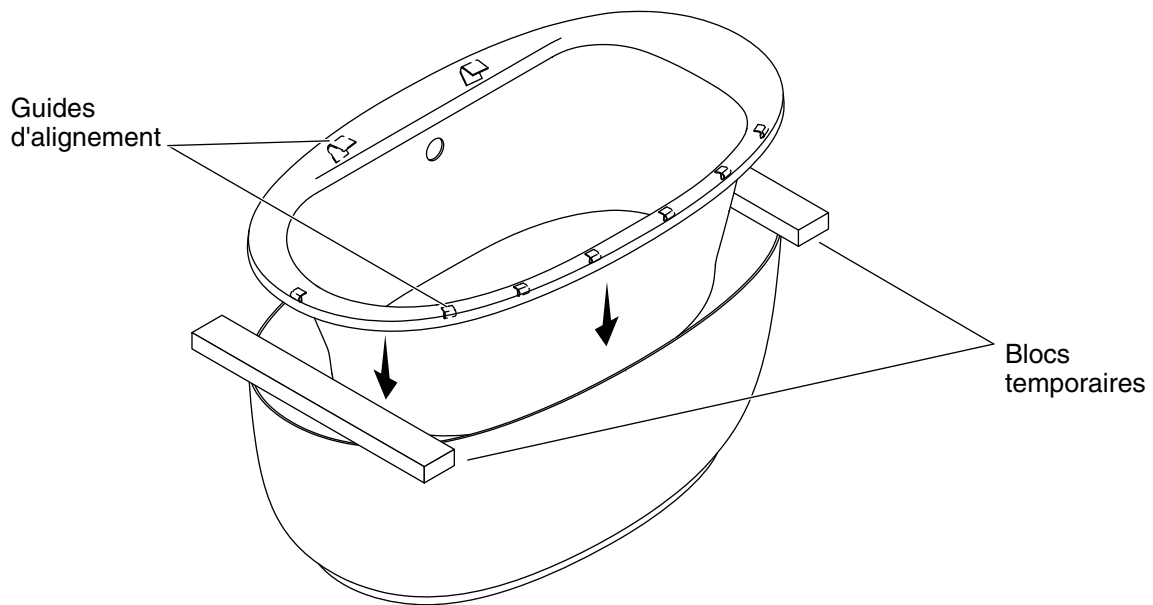
WARNING: Risque de choc électrique. S'assurer que l'alimentation électrique a été débranchée avant d'effectuer les procédures suivantes.

NOTICE: Le souffleur et le chauffe-bulles sont munis de cordons et de prises. Un électricien qualifié doit installer **deux** prises de 120 V, 15 A mises à la terre et protégées par un disjoncteur de fuite de terre*. Aucune autre charge ne doit se trouver sur ces circuits.

- Installer deux prises électriques protégées par un dispositif GFCI* à proximité des cordons d'alimentation de 24 po (610 mm). Une prise doit être comprise dans un rayon de 24 pi (610 mm) du souffleur. L'autre prise devra se trouver dans un rayon de 24 po (610 mm) du chauffe-bulles sous le plancher ou à l'intérieur de l'enveloppe.
- Vérifier que le cordon du souffleur est branché dans la prise à distance protégée par un dispositif GFCI*.
- Brancher le cordon du chauffe-bulles dans une prise séparée protégée par un dispositif GFCI* situé sous le plancher ou à l'intérieur de l'enveloppe**.

*Hors de l'Amérique du Nord, ce dispositif peut être connu sous le nom de dispositif à courant résiduel (RCD).

**Il est recommandé de placer le dispositif GFCI à distance dans un endroit accessible, et non pas sous l'enveloppe.

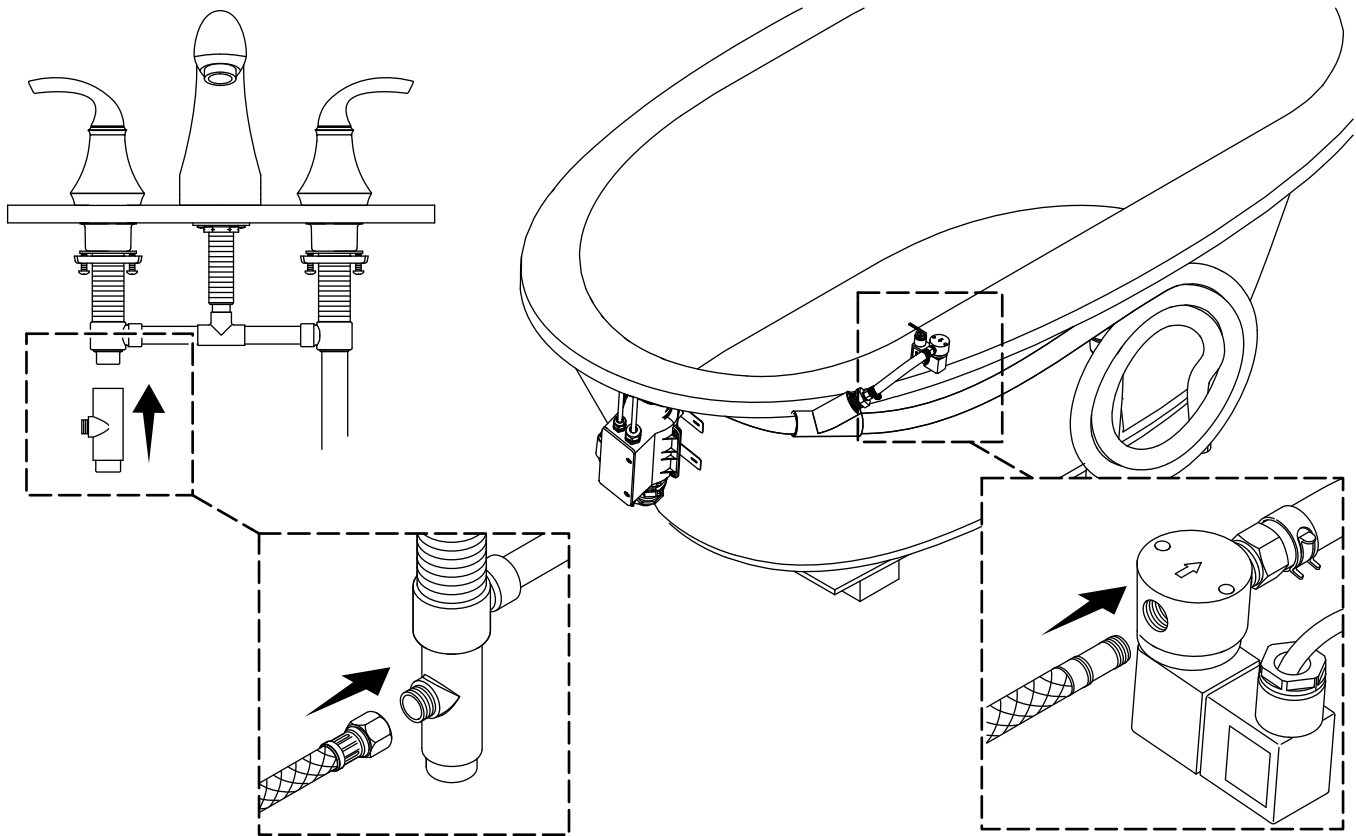


6. Installer la baignoire

NOTICE: Ne pas soulever la baignoire par la tuyauterie, et ne pas utiliser celle-ci comme support structurel de la baignoire. Afin d'éviter tout endommagement de la baignoire, soulever celle-ci par le rebord, sur les côtés.

NOTE: Pour fournir un accès pour la fixation des raccords, positionner temporairement des blocs d'espacement sur les côtés opposés, entre l'enveloppe et le rebord de la baignoire. Positionner les blocs de manière à éviter d'endommager les guides de centrage se trouvant sous le rebord de la baignoire. Le type de guides de centrage peut varier selon le produit.

- Avec de l'aide, lever la baignoire avec précaution pour la positionner par-dessus l'enveloppe et sur les blocs temporaires.
- Pour un robinet à montage sur rebord, installer le robinet et la garniture conformément aux instructions qui les accompagnent. S'assurer qu'il y a un support adéquat sous le rebord de la baignoire pour soutenir le robinet. Se reporter à la section « Préparer le robinet monté sur le rebord (optionnel) ».



7. Connecter le chauffe-bulles

- Installer le té (non fourni) sur la vanne d'eau chaude sur le robinet de la baignoire.
- Enfiler le tuyau d'alimentation (non fourni) dans le port NPT de 1/4 po du té.
- Enfiler le côté opposé du tuyau d'alimentation dans le port NPT de 1/4 po de l'électrovanne. **Ne pas entortiller les tuyaux.**
- Vérifier que le cordon du chauffe-bulles est branché dans la prise électrique sous le plancher ou dans l'enveloppe.

8. Terminer l'installation

- Retirer avec précaution les blocs temporaires et s'assurer que le rebord de la baignoire engage le dessus de l'enveloppe sur tous les côtés. S'assurer que **tous** les guides de centrage se trouvent à l'intérieur de l'enveloppe; aucun écart ne devrait être présent entre la baignoire et l'enveloppe.
- Installer la bride du drain et le couvercle du trop-plein selon les instructions accompagnant le drain.
- Fermer le drain de la baignoire. Remplir la baignoire jusqu'au trop-plein et rechercher des fuites.
- Si souhaité, appliquer un boudin fin et continu de mastic à la silicone à 100% transparent ou de couleurs semblables sur le joint entre l'enveloppe et le plancher fini.

Effectuer un essai de fonctionnement de la baignoire

- Inspecter toutes les connexions électriques et s'assurer que l'alimentation électrique pour la baignoire est activée.
- Remplir la baignoire à un niveau d'eau se trouvant à au moins 4 po (102 mm) au-dessus du haut du jet d'air le plus élevé.

Terminer l'installation (cont.)

- Faire fonctionner la baignoire pendant 5 minutes et tester les jets d'air.
- Pour obtenir de l'information supplémentaire sur le fonctionnement de la baignoire, se reporter à la rubrique « Instructions d'utilisation ».

Instructions Importantes sur la sécurité

LIRE ET SUIVRE TOUTES LES INSTRUCTIONS

CONSERVER CES INSTRUCTIONS

INSTRUCTIONS RELATIVES AUX RISQUES D'INCENDIE, DE CHOC ÉLECTRIQUE OU DE BLESSURES CORPORELLES



WARNING: Lors de l'utilisation de produits électriques, toujours observer les précautions de base, dont les suivantes :



DANGER: Risque de blessures ou de noyade accidentelles. Afin de réduire les risques de blessures, ne jamais permettre à un enfant d'utiliser cet appareil sans surveillance étroite, en tout temps.



WARNING: Risque de blessures. Pour éviter les blessures corporelles, entrer et sortir avec précaution de la baignoire.



WARNING: Risque de choc électrique. Ne pas amener les appareils électriques (tels que des sèche-cheveux, des lampes, des téléphones, des radios ou des télévisions) dans un rayon de 5 pi (1,5 m) de cette baignoire.



WARNING: La consommation d'alcool, de drogues ou de médicaments peut augmenter considérablement le risque fatal d'hyperthermie. Une immersion prolongée dans l'eau chaude peut provoquer une hyperthermie. Une hyperthermie a lieu lorsque la température corporelle interne atteint un niveau dépassant de plusieurs degrés la température corporelle normale de 98,6°F (37°C). Les symptômes d'hyperthermie comprennent une hausse de la température corporelle interne, les étourdissements, une léthargie, une somnolence et les évanouissements. Les effets de l'hyperthermie comprennent : (a) défaut de percevoir la chaleur, (b) défaut de s'apercevoir du besoin de sortir de la baignoire, (c) incapacité de reconnaître le danger imminent, (d) lésions au fœtus dans le cas des femmes enceintes, (e) incapacité physique de sortir de la baignoire et (f) inconscience et danger conséquent de noyade.



WARNING: Risque de préjudice corporel au fœtus. Les femmes enceintes ou qui pourraient être enceintes doivent consulter un médecin avant d'utiliser la baignoire.



WARNING: Risque d'hyperthermie ou de noyade. Ne pas utiliser la baignoire immédiatement après des exercices physiques rigoureux.



WARNING: Risque d'hyperthermie ou de noyade. Une température d'eau supérieure à 100°F (38°C) peut causer des traumatismes. Vérifier et régler la température de l'eau avant utilisation.



WARNING: Risque de blessures. Ne jamais faire tomber ou insérer un objet quelconque dans les ouvertures.

Utiliser cette baignoire uniquement aux fins décrites dans ce guide. Ne pas utiliser de dispositifs d'attache non recommandés par Kohler Co.

La baignoire doit être raccordée uniquement à un circuit d'alimentation qui est protégé par un disjoncteur de fuite de terre (GFCI)*. L'installateur doit fournir un disjoncteur de fuite de terre de ce type et celui-ci doit être inspecté régulièrement. Pour inspecter le disjoncteur de fuite de terre, appuyer sur le bouton d'essai. Le

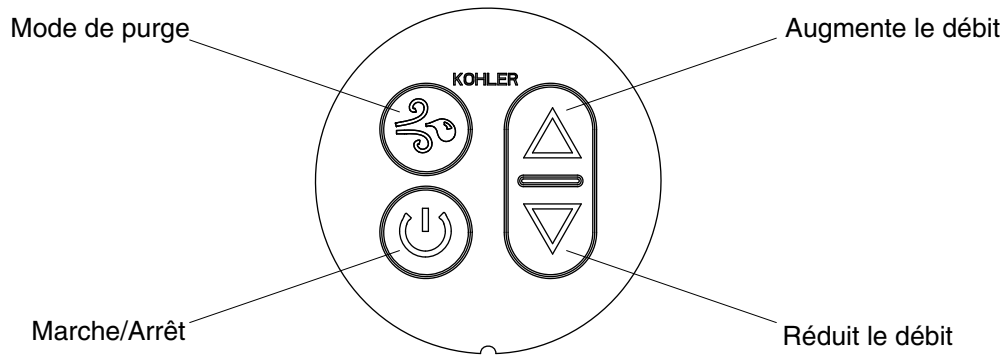
Instructions Importantes sur la sécurité (cont.)

disjoncteur de fuite de terre doit couper le courant. Appuyer sur le bouton de réinitialisation. L'alimentation devrait avoir été restaurée. Si le disjoncteur de fuite de terre ne fonctionne pas de cette manière, le disjoncteur est défectueux. Si le disjoncteur de fuite de terre interrompt l'alimentation de courant vers la baignoire sans que l'on ait appuyé sur le bouton d'essai, ceci indique qu'un courant à la terre est en train de circuler, et, par conséquent, la possibilité d'un choc électrique. Ne pas utiliser cette baignoire. Débrancher la baignoire et demander à un technicien qualifié de résoudre le problème avant d'utiliser celle-ci.

L'utilisation répétée de produits d'hygiène et de beauté contenant des huiles peut endommager les composants en plastique de la baignoire à hydromassage. Éviter d'utiliser des huiles de bain.

L'action de massage de la baignoire à hydromassage peut considérablement faire mousser les produits de bain moussant, le savon, les shampoings, ou les huiles pour le bain, même de petite quantité. Pour cette raison, veiller à ne pas utiliser ces produits pendant le fonctionnement de la baignoire à hydromassage.

*Hors de l'Amérique du Nord, ce dispositif peut être connu sous le nom de dispositif à courant résiduel (RCD).



Instructions d'utilisation

IMPORTANT! Ce produit comprend un mode de purge d'eau automatique qui met le souffleur en marche pendant 5 minutes après l'arrêt et la vidange du dispositif.

NOTE: La température de l'eau de la baignoire ne doit jamais dépasser 104°F (40°C).

- Fermer le drain, puis remplir la baignoire à au moins 4 po (102 mm) au-dessus du jet d'air le plus élevé.
- Utiliser la main pour tester la température de l'eau pour le confort et la sécurité, puis entrer doucement dans la baignoire.
- Appuyer sur l'icône [Marche/Arrêt] pour mettre le souffleur en marche à une vitesse moyenne.
- Appuyer sur les icônes de flèches [Vers le haut] ou [Vers le bas] pour augmenter ou diminuer le débit d'air.
- Appuyer une deuxième fois sur l'icône [Marche/Arrêt] pour arrêter le souffleur.
- Sortir de la baignoire avec précaution et vider celle-ci.

NOTE: Une fois que la baignoire se vide au-dessous du capteur de niveau d'eau, un mode de purge de 5 minutes démarre automatiquement.

NOTE: Si la baignoire ne fonctionne pas correctement, se référer à la section « Dépannage ».

Entretien et nettoyage

- **Ne pas utiliser d'agents nettoyants en poudre, sauf si ceux-ci sont complètement dilués dans l'eau.** Des substances solides pourraient obstruer les jets d'air.
- **Ne pas utiliser de solutions de nettoyage avec eau de Javel ou ammoniacale à concentration intégrale.** Les solutions de nettoyage à agents chimiques actifs peuvent endommager la surface de la baignoire.
- **Ne pas utiliser de nettoyants abrasifs ou de solvants sur les surfaces acryliques.** Les produits nettoyants abrasifs et les solvants peuvent endommager la surface de la baignoire.
- Essuyer la baignoire en acrylique avec un tissu doux après chaque usage.
- Éviter les détergents, les désinfectants ou les produits de nettoyage en bombes aérosols.

NOTE: Pour réparer les dispositifs délavés ou rayés : Appliquer un produit à polir blanc pour automobiles avec un chiffon propre. Polir vigoureusement les rayures et les surfaces délavées. Essuyer les résidus. Passer ensuite une couche de cire en pâte blanche pour automobiles. Ne pas cirer les surfaces sur lesquelles l'on marche ou sur lesquelles l'on se tient debout.

Entretien et nettoyage (cont.)

Nettoyer le clavier utilisateur et la télécommande

- Utiliser un chiffon doux pour essuyer le clavier et la télécommande après chaque usage. Si la surface devient sale, utiliser un savon non-abrasif et de l'eau tiède pour le nettoyage.

Maintenance des jets d'air

- Si le nettoyage des jets d'air s'avère nécessaire en raison de dépôts d'eau calcaire, utiliser une petite brosse de nettoyage entre les dents et du vinaigre blanc. Tremper la brosse dans le vinaigre, brosser l'orifice, rincer la brosse à l'eau propre, puis utiliser la brosse mouillée et rincée pour rincer l'orifice.
- Remplir la baignoire avec de l'eau jusqu'à la rangée supérieure des jets d'air. Vidanger la baignoire et appuyer sur le bouton de purge.

Pour obtenir des renseignements détaillés sur le nettoyage et les produits à considérer, consulter le site www.kohler.com/clean. Pour commander des renseignements sur le nettoyage, appeler le 1-800-456-4537.

Dépannage

NOTICE: Cette section est seulement destinée à une aide d'ordre général. Un représentant du service agréé Kohler Co. ou un électricien qualifié doit rectifier tous les problèmes électriques. Pour un service de garantie, appeler le 1-800-4KOHLER à partir des É.-U. et du Canada, ou le 001-800-456-4537 à partir du Mexique.

Pour tout renseignement sur les pièces de rechange, visiter la page du produit sur le site kohler.com/serviceparts.

Systeme de baignoire à jets d'air

Symptômes	Causes probables	Action recommandée
1. Le souffleur se met en marche de lui-même lorsque la baignoire a été vidangée.	A. Fonctionnement normal. Le mode de purge automatique fonctionne tel que prévu.	A. Aucune action n'est requise. Le mode de purge automatique fonctionne pendant 5 minutes après la vidange de la baignoire.
2. Le souffleur s'arrête de lui-même après avoir fonctionné pendant 5 minutes.	A. On a appuyé sur l'icône Mode Purge au lieu de l'icône Marche/Arrêt.	A. Appuyer sur l'icône Marche/Arrêt sur le clavier utilisateur. Voir la section Instructions d'opération de la baignoire à jets d'air.
3. Le moteur du souffleur ne démarre pas.	A. Le cordon d'alimentation en provenance du moteur du souffleur est desserré, déconnecté ou endommagé.	A. Inspecter le câblage pour vérifier que les connexions sont adéquates.
	B. Câble du clavier utilisateur desserré ou endommagé.	B. Vérifier les connexions de fils. Si nécessaire, remplacer le câble du clavier utilisateur.
	C. Le clavier utilisateur ne fonctionne pas.	C. Remplacer le clavier utilisateur.
	D. Le moteur du souffleur ne fonctionne pas.	D. Remplacer le moteur du souffleur.
4. Le moteur du souffleur s'arrête de fonctionner et ne redémarre pas immédiatement.	A. Moteur de souffleur surchauffé et système de protection activé.	A. Rechercher une obstruction au niveau de l'orifice d'entrée d'air du souffleur. Éliminer l'obstruction et laisser le moteur refroidir.

Dépannage (cont.)

Symptômes	Causes probables	Action recommandée
5. Le moteur du souffleur démarre, mais quelques jets d'air ne fonctionnent pas.	A. La vitesse du moteur du souffleur est trop basse.	A. Augmenter la vitesse.
	B. L'orifice d'entrée du moteur du souffleur est obstrué.	B. Nettoyer l'orifice d'entrée du moteur du souffleur.
	C. Le moteur du souffleur ne fonctionne pas.	C. Remplacer le moteur du souffleur.
	D. L'orifice de sortie du moteur du souffleur est obstrué.	D. Dégager l'obstruction.
	E. Les jets d'air sont bouchés.	E. Utiliser une petite brosse de nettoyage entre les dents et du vinaigre blanc. Tremper la brosse dans le vinaigre, broser l'orifice, rincer la brosse à l'eau propre, puis utiliser la brosse mouillée et rincée pour rincer l'orifice.
6. Le moteur du souffleur fonctionne mais aucune bulle d'air n'est observée.	A. L'orifice d'entrée du moteur du souffleur est obstrué.	A. Nettoyer l'orifice d'entrée du moteur du souffleur.
	B. Les jets d'air sont bouchés.	B. Utiliser une petite brosse de nettoyage entre les dents et du vinaigre blanc. Tremper la brosse dans le vinaigre, broser l'orifice, rincer la brosse à l'eau propre, puis utiliser la brosse mouillée et rincée pour rincer l'orifice.
	C. Le moteur du souffleur ne fonctionne pas.	C. Remplacer le moteur du souffleur.
7. Le moteur du souffleur fonctionne, des bulles d'air sont observées, mais la commande de vitesse ne fonctionne pas.	A. L'orifice d'entrée du moteur du souffleur est obstrué.	A. Nettoyer l'orifice d'entrée du moteur du souffleur.
	B. Le faisceau de câblage est desserré, déconnecté ou endommagé.	B. Inspecter le câblage pour vérifier que les connexions sont adéquates. Remplacer le faisceau de câblage si nécessaire.
	C. Le clavier utilisateur ne fonctionne pas.	C. Remplacer le clavier utilisateur.
	D. Le moteur du souffleur ne fonctionne pas.	D. Remplacer le moteur du souffleur.
8. Le moteur du souffleur ne s'arrête pas lorsque l'on appuie sur le bouton Marche/Arrêt.	A. Le clavier utilisateur ne fonctionne pas.	A. Remplacer le clavier utilisateur.
	B. Le faisceau de câblage est desserré, déconnecté ou endommagé.	B. Inspecter le câblage pour vérifier que les connexions sont adéquates. Remplacer le faisceau de câblage si nécessaire.
	C. La commande ne fonctionne pas.	C. Remplacer la commande.
9. Le moteur du souffleur fonctionne, mais l'eau se refroidit trop vite.	A. Il n'y a pas d'alimentation vers le conduit de chauffage d'air.	A. Armer/réarmer le disjoncteur GFCI d'alimentation du conduit de chauffage d'air; inspecter le câblage.
	B. Le conduit de chauffage d'air est défectueux.	B. Vérifier si le voyant clignote en jaune sur le conduit de chauffage d'air. Un voyant jaune indique une défectuosité du système. Remplacer le conduit de chauffage d'air.

Dépannage (cont.)		
Symptômes	Causes probables	Action recommandée
10. Anomalie de chauffage bas; le voyant clignote en jaune une fois, puis le cycle se répète après une pause d'une seconde.	A. L'eau pour l'électrovanne est connectée à l'alimentation en eau froide (COLD).	A. Déplacer l'alimentation en eau sur l'alimentation en eau chaude. Retirer l'alimentation vers le conduit de chauffage d'air pendant 10 secondes pour la réinitialiser.
	B. L'ensemble d'injection d'eau ne fonctionne pas.	B. Remplacer l'ensemble d'injection d'eau.
11. Anomalie de thermistance; le voyant clignote en jaune deux fois, puis le cycle se répète après une pause d'une seconde.	A. Connexion défectueuse.	A. Vérifier que les connexions du câblage sont adéquates. Remplacer le conduit de chauffage d'air le cas échéant.
12. Anomalie de communication; le voyant clignote en jaune trois fois, puis le cycle se répète après une pause d'une seconde.	A. Connexions de câbles desserrées.	A. Vérifier que les connexions câblées entre l'interface utilisateur, le conduit d'air chauffé et le souffleur sont assises et stables. Retirer l'alimentation vers le conduit de chauffage d'air pendant 10 secondes pour la réinitialiser.
13. Anomalie de chauffage élevé; le voyant clignote en jaune quatre fois, puis le cycle se répète après une pause d'une seconde.	A. L'ensemble d'injection d'eau ne fonctionne pas.	A. Vérifier que l'eau est raccordée à l'alimentation en eau chaude (HOT). Retirer l'alimentation vers le conduit de chauffage d'air pendant 10 secondes pour la réinitialiser.
	B. Le conduit de chauffage d'air est défectueux.	B. Remplacer le conduit de chauffage d'air.
14. Le mode de purge ne fonctionne pas.	A. Le clavier utilisateur ne fonctionne pas.	A. Remplacer le clavier utilisateur.
	B. La commande ne fonctionne pas.	B. Remplacer la commande.
15. La baignoire ne se purge pas automatiquement.	A. Le souffleur ne fonctionne pas.	A. Remplacer le souffleur.
	B. Les capteurs de niveau d'eau sont défectueux.	B. Remplacer les fils.
	C. Les capteurs de niveau d'eau fonctionnent ensemble.	C. Séparer les fils de manière à ce qu'ils soient acheminés le long de côtés différents de la baignoire.

Guía de instalación

Bañera de aeromasaaje caliente autosoportada

Instrucciones de instalación



WARNING: Al usar aparatos eléctricos siempre cumpla las precauciones básicas, como las siguientes:



WARNING: Riesgo de sacudidas eléctricas. Conecte todos los componentes a circuitos protegidos cada uno con un interruptor de circuito con pérdida a tierra (GFCI)*.

Instale de manera que quede acceso para dar servicio.

El compartimiento de cables incluye un conector a presión marcado "Earth/Ground" (tierra). Para reducir el riesgo de que se produzca una sacudida eléctrica, conecte este conector al terminal de tierra de su tablero eléctrico o al panel de suministro eléctrico con un cable de cobre del tamaño equivalente al conductor del circuito que alimenta este equipo.

En el exterior de la bomba o del control de esta unidad se incluye un conector a presión para permitir la conexión de un conductor equipotencial entre esta unidad y el metal expuesto en las proximidades, tal y como lo requieran las normas locales.

Se requiere conexión a tierra. Un representante autorizado de servicio debe instalar esta unidad y conectarla a tierra.



WARNING: Riesgo de lesiones personales o de daños a la propiedad. Antes de comenzar la instalación, lea atentamente todas las instrucciones además de los requisitos detallados a continuación.



WARNING: Riesgo de sacudidas eléctricas. Todas las conexiones eléctricas debe hacerlas un electricista capacitado.



WARNING: Riesgo de sacudidas eléctricas. Desconecte el suministro eléctrico antes de dar servicio.

NOTICE: Cumpla todos los códigos locales de electricidad y de plomería. En Canadá, instale la unidad conforme al Código Eléctrico Canadiense, Parte 1.

*Fuera de Estados Unidos es posible que este dispositivo se conozca como dispositivo de corriente residual (RCD).

Información sobre el producto

Requisitos eléctricos

La instalación debe contar con 2 interruptores de circuito con pérdida a tierra (GFCI) Clase A. El interruptor GFCI protege contra el peligro de sacudida eléctrica de línea a tierra. **Utilice un servicio dedicado de 120 V, 15 A y 60 Hz para el motor soplador. Utilice un servicio independiente dedicado de 120 V, 15 A y 60 Hz para el calentador de burbujas.**

Si el cable de suministro eléctrico del motor soplador está dañado, debe ser reemplazado por el fabricante, por su agente de servicio o por personas igualmente capacitadas, para así evitar una situación peligrosa.

Avisos sobre el producto

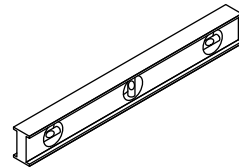
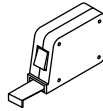
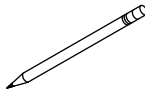
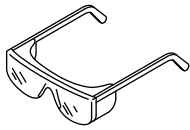
IMPORTANT! La presión de funcionamiento recomendada para este sistema va de 35 a 60 psi (241 a 414 kPA).

NOTICE: Mantenga limpia y sin desperdicios el área alrededor del motor soplador. Asegúrese de que en el área alrededor del motor soplador no haya aserrín, material aislante, suciedad ni otras partículas sueltas pequeñas. Dichos materiales pueden taponar los conductos de aire del motor soplador y reducir el flujo de aire a través del mismo.

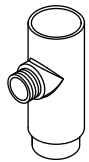
Información sobre el producto (cont.)

NOTICE: Este producto tiene un modo de purga automática de agua que enciende el motor soplador durante 5 minutos después de apagar y vaciar la unidad.

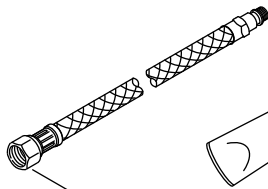
Herramientas y materiales



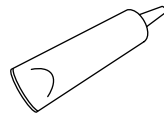
Cinta de Enmascarar



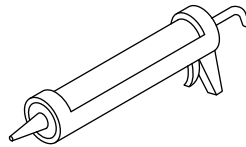
T de latón de 1/4" NPT



1/4 pulg.



Adhesivo de construcción



Sellador 100% de silicona

Más:

- Lona
- Cuñas
- Maderos de 2x4
- Bloques de madera
- Madera contrachapada de 1/2" (13 mm) para exteriores (para grifería de montaje al reborde)

Antes de comenzar

NOTICE: Este producto requiere la instalación remota de un motor soplador. Antes de continuar, consulte las instrucciones que se incluyen con el kit de instalación remota del motor soplador.

NOTICE: El piso debe proporcionar el soporte adecuado. Fíjese en el **número de modelo** en el extremo de componentes de la bañera, y luego consulte información adicional en la página del producto kohler.com.

NOTICE: No levante la bañera por los tubos ni los utilice como soporte estructural de la bañera. Para evitar daños a la bañera, levántela por el reborde a los lados de la bañera.

NOTICE: Antes de instalar una grifería de bañera de montaje al reborde, consulte la hoja de especificaciones en la página del producto de baño en kohler.com.

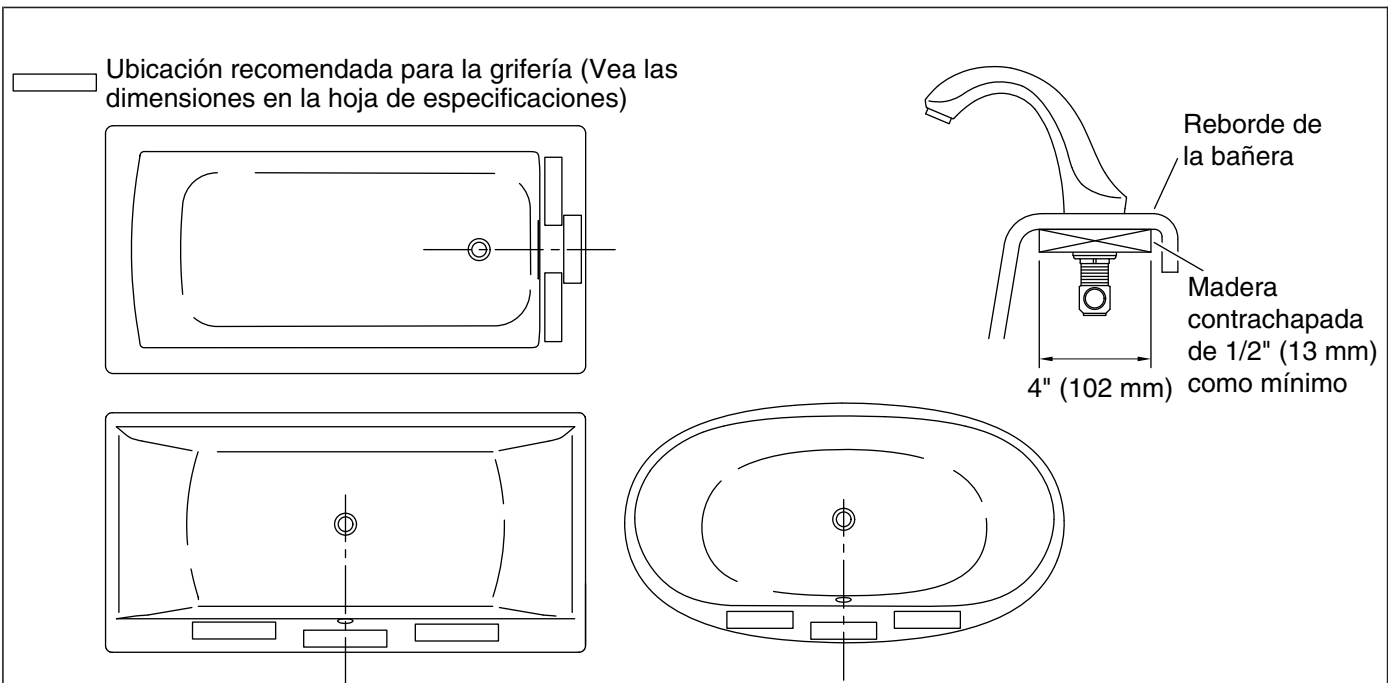
NOTICE: Provea el soporte adecuado con tablas de refuerzo a las griferías de montaje al reborde; las griferías grandes que puedan ser utilizadas inadvertidamente como medio de soporte no son seguras para esta instalación.

IMPORTANT! Para asegurar que la instalación sea exitosa, el piso donde se instale la bañera debe estar acabado y nivelado.

- Cumpla todos los códigos locales de plomería y de construcción.
- Se necesitan 2 personas para instalar este producto.
- Para simplificar el mantenimiento en el futuro, asegúrese de que todas las conexiones de plomería y del tablero de control de la bañera queden fácilmente accesibles.
- Tienda los cables eléctricos en un conducto desde el interruptor de circuito.
- Planee con cuidado cómo mover la bañera al área de instalación. Esta bañera no cabe fácilmente a través de los marcos de las puertas.
- Saque de su embalaje la bañera y sus componentes, y verifique que no estén dañados. Vuelva a colocar la bañera y los componentes en la caja hasta el momento de instalación.
- Esta bañera está diseñada solamente para instalación autosoportada.

Antes de comenzar (cont.)

- Si va a instalar una grifería de montaje al reborde, antes de taladrar los orificios verifique que no haya interferencias sobre o abajo del reborde.
- Es posible que las ilustraciones no muestren el producto exacto que usted adquirió, pero sí corresponden a esta instalación.



1. Prepare la grifería de montaje al reborde (opcional)

NOTICE: Antes de instalar una grifería de bañera de montaje al reborde, consulte las dimensiones de la ubicación para la grifería de su modelo en la hoja de especificaciones en la página del producto de baño en kohler.com.

NOTICE: Para adaptarse a la carcasa de la bañera, una los suministros de agua a la grifería de montaje al reborde con conexiones flexibles.

NOTICE: En instalaciones de griferías de montaje al reborde, tienda las líneas de suministro de agua lo suficientemente altas para permitir acceso para hacer las conexiones finales desde arriba de la carcasa.

- Consulte la hoja de especificaciones en la página del producto de baño en kohler.com para determinar la ubicación recomendada para la grifería y el modelo de desagüe de su bañera.
- Mida y corte un trozo de madera contrachapada para exteriores de 1/2" (13 mm) como soporte de la grifería. La tabla debe medir 4" (102 mm) de ancho. Su longitud debe sobrepasar el ancho entre los orificios para la grifería, para asegurar el soporte adecuado.
- Coloque la grifería en el lugar recomendado sobre el reborde de la bañera. Asegúrese de que la guarnición de la grifería quepa en el reborde de la bañera, sin sobresalir. Antes de taladrar los orificios verifique que no haya interferencias sobre o abajo del reborde.
- Para determinar el tamaño de los orificios para la grifería, consulte las instrucciones de instalación que se incluyen con la grifería.
- Marque con un lápiz las líneas centrales de los orificios para la grifería. Todavía no taladre los orificios.

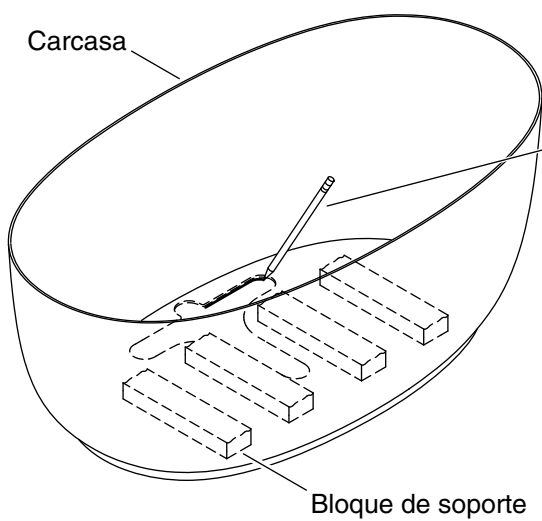
CAUTION: Riesgo de daños al producto. Para evitar maltratar la bañera, coloque una pieza delgada de cartón bajo las mordazas antes de apretarlas.

- En la cara inferior del reborde coloque la madera contrachapada, y fíjela con mordazas en su lugar. Para proteger la superficie acabada aplique cinta de enmascarar bajo el cartón donde las mordazas vayan a hacer contacto con la superficie acabada de la bañera. Asegúrese de que las mordazas no queden en contacto directo con la superficie acabada de la bañera.
- Con cuidado taladre los orificios para la grifería.

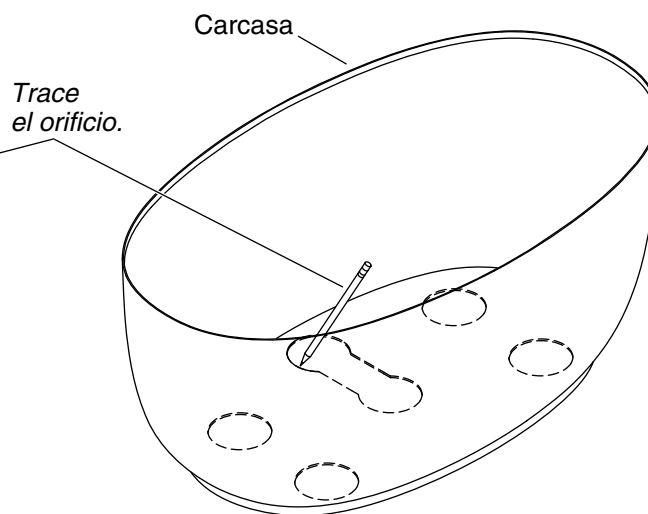
Prepare la grifería de montaje al reborde (opcional) (cont.)

- Instale la válvula de acuerdo a las instrucciones de instalación incluidas con la misma. **No** instale la guarnición de la grifería mientras no se le indique.

Modelos con bloques de soporte



El resto de los modelos



2. Prepare el sitio

NOTICE: Mida su producto para preparar el lugar. Fíjese en el **número de modelo** en el extremo de componentes de la bañera, y luego consulte información adicional en la página del producto en kohler.com.

NOTICE: Es necesario instalar de manera remota el motor soplador en las instalaciones de bañeras autosoportadas. Antes de instalar de manera remota el motor soplador, consulte las instrucciones de instalación que se incluyen con el kit de instalación remota del motor soplador.

NOTICE: No intente retirar el material de fundición endurecido que cubre los bloques. Se necesita material de fundición para colocar e instalar correctamente la bañera.

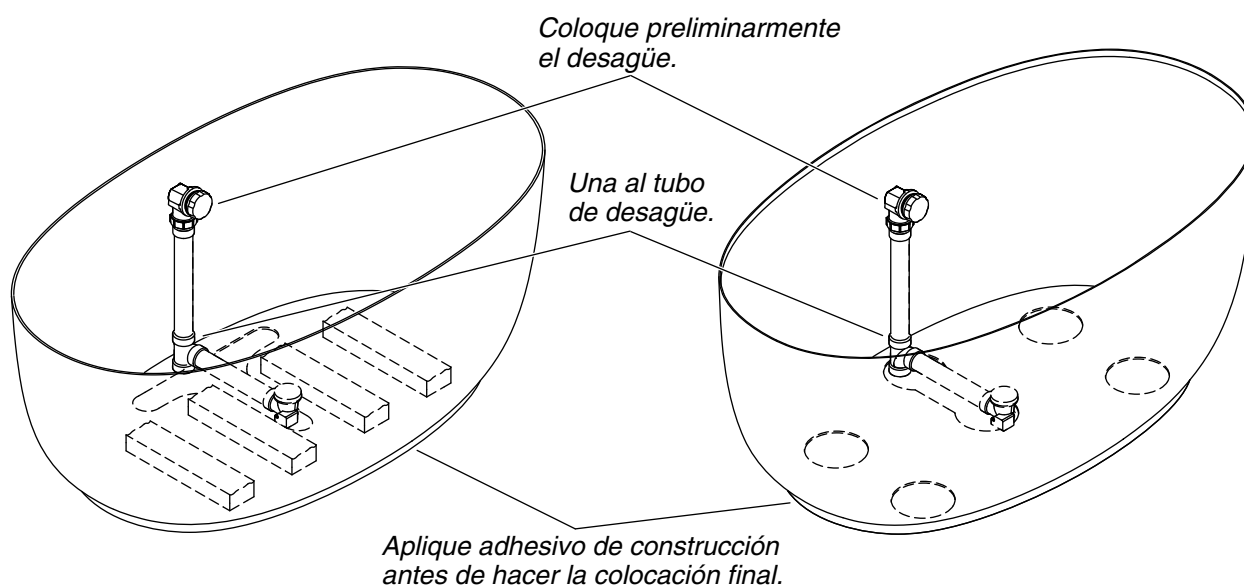
IMPORTANT! Para asegurar que la instalación sea exitosa, el piso donde se instale la bañera debe estar acabado y nivelado.

IMPORTANT! Verifique que el subpiso ofrezca el soporte adecuado para la bañera.

- Cumpla todos los códigos locales de plomería y de construcción.
- Coloque temporalmente la bañera y la carcasa en el lugar de instalación.
- Si corresponde, retire y deseche la delgada película plástica que cubre los bloques de soporte.
- Verifique que la **bañera** esté nivelada. De ser necesario, coloque cuñas bajo la carcasa, y fije las cuñas al piso con adhesivo de construcción.
- Sin mover la carcasa, levante y retire la bañera de la carcasa.
- Use el recorte en el área del desagüe en la carcasa para trazar el área del orificio de desagüe en el piso.
- Retire la carcasa y colóquela a un lado.
- Consulte los requisitos de espacio libre para el desagüe en la hoja de especificaciones en la página del producto de baño en kohler.com, y corte el espacio libre adecuado en el piso.
- Consulte los detalles de altura del desagüe en la hoja de especificaciones en la página del producto de baño en kohler.com. Coloque e instale un tubo de desagüe estándar de PVC o de latón para bañera a la altura correcta.

Modelos con bloques de soporte

El resto de los modelos

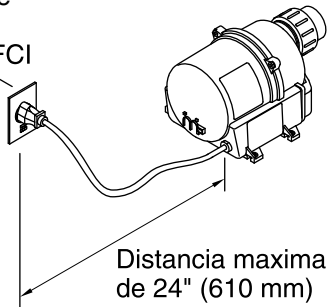


3. Prepare la bañera

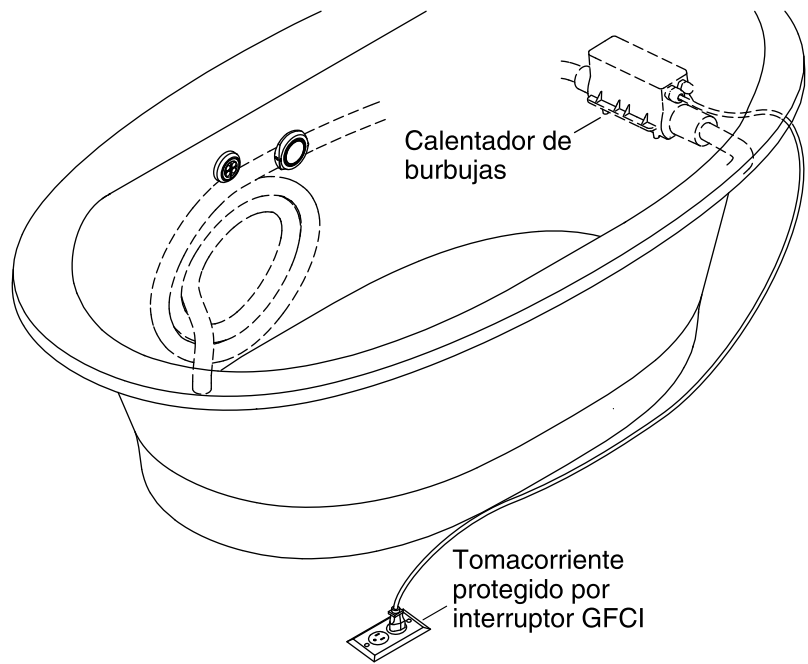
NOTICE: Consulte las instrucciones del desagüe para colocarlo preliminarmente a la bañera. **No cimente ni termine la instalación del desagüe antes de que se le indique hacerlo.**

- Coloque preliminarmente el ensamblaje del desagüe a la bañera. Consulte las instrucciones para el desagüe. **No aplique sellador ni cemento** a los componentes del desagüe en este momento.
- Afloje las conexiones del desagüe y del rebosadero de la bañera, y retire el ensamblaje del desagüe de la bañera.
- Coloque preliminarmente el ensamblaje del desagüe al tubo de desagüe, que ya ha sido cortado a la altura correcta.
- Coloque temporalmente la carcasa en su lugar sobre el ensamblaje del desagüe.
- Obtenga ayuda para levantar temporalmente la bañera en su lugar en la carcasa. Asegúrese de que el reborde de la bañera quede completamente asentado sobre la carcasa para que encajen las guías de alineación.
- Verifique que las conexiones del desagüe y del rebosadero queden bien alineadas con los orificios del desagüe y del rebosadero en la bañera. Mida y registre todos los ajustes necesarios a la longitud de los tubos de desagüe o de rebosadero.
- Retire la bañera y la carcasa, pero deje el ensamblaje del desagüe y rebosadero conectado al tubo de desagüe.
- Ajuste la longitud de los tubos de desagüe lo que sea necesario para asegurar la alineación del desagüe con los orificios del desagüe y del rebosadero en la bañera.
- Repita estos pasos de ajuste del desagüe hasta que las conexiones del desagüe y del rebosadero queden alineadas a los orificios del desagüe y del rebosadero en la bañera.
- Cemente y ensamble los componentes del desagüe y del rebosadero. Conecte la T de desagüe al tubo de desagüe.
- Aplique sellador 100 % de silicona a ambos lados de los empaques del desagüe y del rebosadero.
- Aplique adhesivo de construcción de secado lento al fondo de la carcasa.
- Coloque con cuidado la carcasa sobre el desagüe de manera que el orificio quede alineado con la marca que trazó en el piso.

Tomacorriente protegido por interruptor GFCI



Distancia máxima de 24" (610 mm)



Calentador de burbujas

Tomacorriente protegido por interruptor GFCI

4. Instale de manera remota el motor soplador

NOTICE: Este producto requiere la instalación remota de un motor soplador. Consulte las instrucciones que se incluyen con el kit de instalación remota del motor soplador.

5. Haga las conexiones eléctricas



DANGER: Riesgo de sacudidas eléctricas. Conecte el motor soplador y el calentador de burbujas a tomacorrientes con buena conexión a tierra con protección mediante interruptor de circuito con pérdida a tierra (GFCI)*. No retire las clavijas de conexión a tierra de los enchufes. No utilice adaptadores de conexión a tierra.



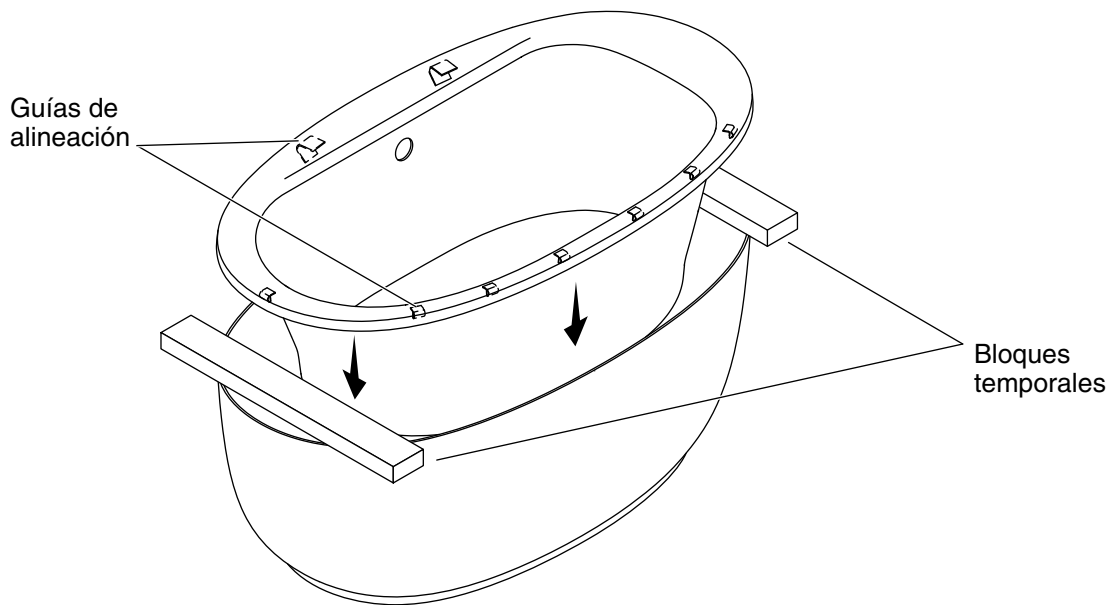
WARNING: Riesgo de sacudidas eléctricas. Asegúrese de desconectar la corriente eléctrica antes de realizar los siguientes procedimientos.

NOTICE: El motor soplador y el calentador de burbujas están equipados con cables y enchufes. Un electricista calificado debe instalar 2 tomacorrientes conectados a tierra, de 120 V, 15 A y protegidos cada uno con un interruptor de circuito con pérdida a tierra (GFCI)*. El circuito no debe tener ninguna otra carga.

- Instale 2 tomacorrientes protegidos con interruptor de circuito con pérdida a tierra (GFCI)* al alcance de los cables de suministro eléctrico de 24" (610 mm). Un tomacorriente se debe estar a menos de 24" (610 mm) del motor soplador. El otro tomacorriente debe estar a menos de 24" (610 mm) del calentador de burbujas en el piso o en la carcasa.
- Verifique que el cable del motor soplador esté conectado al tomacorriente protegido con interruptor de circuito con pérdida a tierra (GFCI)* remoto.
- Conecte el cable del calentador de burbujas en el otro tomacorriente protegido con interruptor de circuito con pérdida a tierra (GFCI)* que está en el piso o en la carcasa**.

*Fuera de Estados Unidos es posible que este dispositivo se conozca como dispositivo de corriente residual (RCD).

**Se recomienda instalar el tomacorriente protegido con interruptor de circuito con pérdida a tierra (GFCI)* en un lugar accesible no bajo la carcasa.

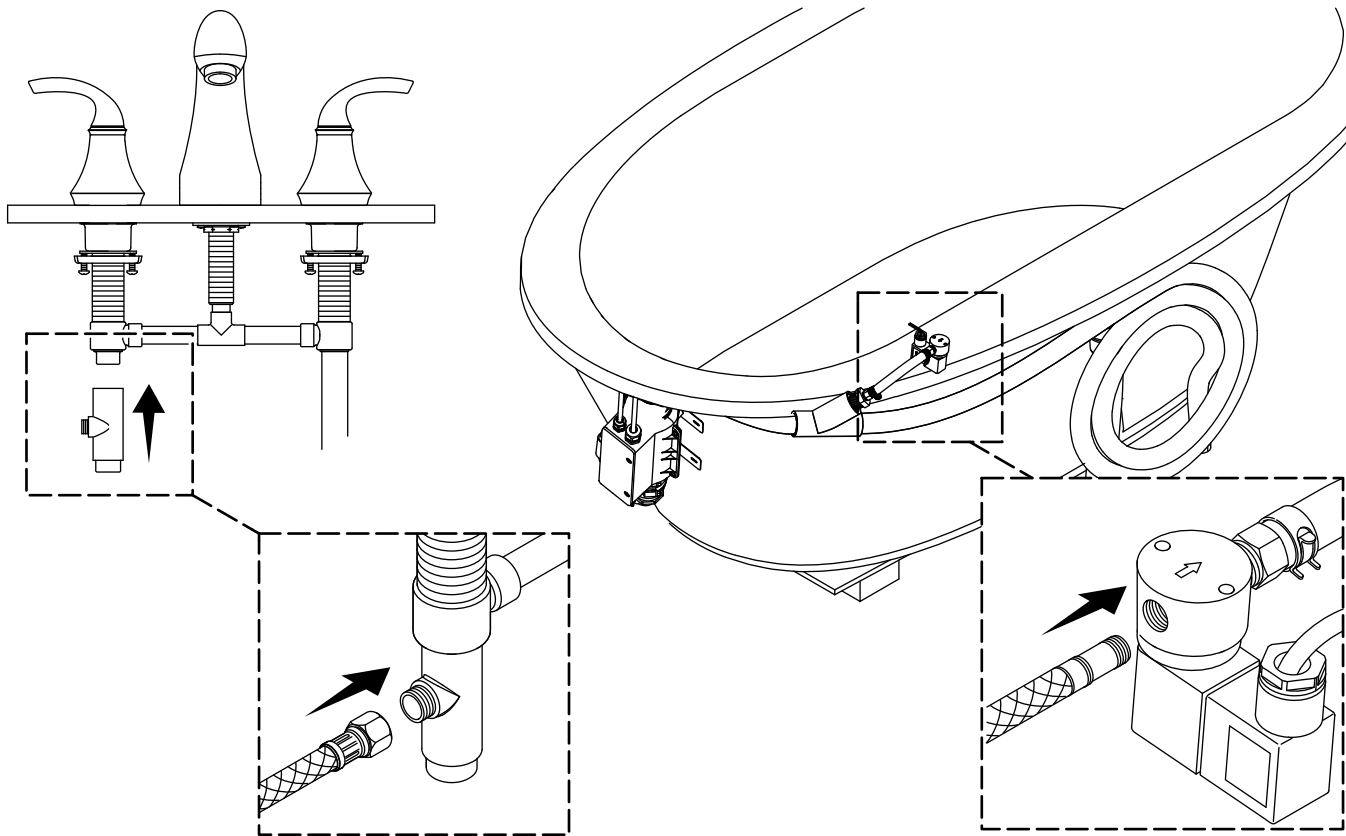


6. Instale la bañera

NOTICE: No levante la bañera por los tubos ni los utilice como soporte estructural de la bañera. Para evitar daños a la bañera, levántela por el reborde a los lados de la bañera.

NOTE: Para que haya acceso para fijar las conexiones, coloque temporalmente bloques espaciadores en las esquinas opuestas entre la carcasa y el reborde de la bañera. Coloque los bloques de manera que se evite dañar las guías de alineación que están bajo el reborde de la bañera. El tipo de guías de alineación puede variar de acuerdo al producto.

- Obtenga ayuda para levantar con cuidado la bañera sobre la carcasa y sobre los bloques temporales.
- En una grifería de montaje al reborde, instale la grifería y su guarnición de acuerdo a las instrucciones de la grifería y de la guarnición. Asegúrese de que haya el soporte adecuado bajo el reborde de la bañera para soportar la grifería. Consulte la sección "Prepare la grifería de montaje al reborde (opcional)".



7. Conecte el calentador de burbujas

- Instale el conector en T (no se incluye) a la válvula de agua caliente en la grifería de la bañera.
- Enrosque la manguera de suministro (no se incluye) en el puerto de 1/4 pulg. NPT del conector en T.
- Enrosque el lado opuesto de la manguera de suministro en el puerto de 1/4" NPT de la válvula de solenoide. **¡No doble las mangueras!**
- Verifique que el cable del calentador de burbujas esté conectado al tomacorriente en el piso o en la carcasa.

8. Termine de hacer la instalación

- Con cuidado retire los bloques temporales y asegúrese de que el reborde de la bañera encaje con la parte superior de la carcasa en todos los lados. Asegúrese de que **todas** las guías de alineación estén dentro de la carcasa; no debe haber espacio entre la bañera y la carcasa.
- Instale la brida del desagüe y la cubierta del rebosadero de acuerdo a las instrucciones del desagüe.
- Cierre el desagüe de la bañera. Llene la bañera hasta el rebosadero, y verifique que no haya fugas.
- Si lo desea, aplique un hilo continuo y delgado de sellador 100 % de silicona transparente o del mismo color que la bañera en la unión entre la carcasa y el piso acabado.

Pruebe el funcionamiento de la bañera

- Revise todas las conexiones eléctricas y asegúrese de que la bañera esté conectada al suministro eléctrico.
- Llene la bañera a un nivel por lo menos 4" (102 mm) arriba del jet de aire más alto.

Termine de hacer la instalación (cont.)

- Ponga en funcionamiento la bañera durante 5 minutos y pruebe los jets de aire.
- Para obtener información adicional sobre el funcionamiento de la bañera, consulte la sección "Instrucciones de funcionamiento".

Instrucciones importantes de seguridad

LEA Y SIGA TODAS LAS INSTRUCCIONES

GUARDE ESTAS INSTRUCCIONES

INSTRUCCIONES RELATIVAS A LOS RIESGOS DE INCENDIO, SACUDIDA ELÉCTRICA O LESIONES PERSONALES



WARNING: Al usar aparatos eléctricos siempre cumpla las precauciones básicas, como las siguientes:



DANGER: Riesgo de lesiones personales o ahogamiento. Para reducir el riesgo de lesiones, no permita que los niños usen este producto sin supervisión estricta en todo momento.



WARNING: Riesgo de lesiones personales. Para evitar lesiones, tenga cuidado al entrar y al salir de la bañera.



WARNING: Riesgo de sacudidas eléctricas. No coloque aparatos eléctricos (como secador de pelo, lámparas, teléfono, radio o televisión) a menos de 5 pies (1,5 m) de esta bañera.



WARNING: El uso de alcohol, drogas o medicamentos puede aumentar enormemente el riesgo de sufrir hipertermia fatal. La inmersión prolongada en agua caliente puede producir hipertermia. Ocurre hipertermia cuando la temperatura interna del cuerpo alcanza un nivel varios grados más arriba de la temperatura corporal normal de 98,6°F (37°C). Los síntomas de hipertermia incluyen aumento de temperatura corporal interna, mareos, letargo, somnolencia y desfallecimiento. Los efectos de hipertermia incluyen: (a) incapacidad para percibir calor, (b) incapacidad para reconocer la necesidad de salir de la bañera, (c) inconsciencia de un peligro inminente, (d) daño al feto en mujeres embarazadas, (e) inhabilidad física para salir de la bañera y (f) pérdida del conocimiento con peligro de ahogarse.



WARNING: Riesgo de lesiones mortales. Las mujeres embarazadas o que posiblemente estén embarazadas deben consultar a un médico antes de usar la bañera.



WARNING: Riesgo de hipertermia o ahogamiento. No utilice la bañera inmediatamente después de hacer ejercicio.



WARNING: Riesgo de hipertermia o ahogamiento. La temperatura del agua superior a 100°F (38°C) puede causar lesiones. Pruebe y ajuste la temperatura del agua antes de usar la bañera.



WARNING: Riesgo de lesiones personales. No deje caer ni introduzca objetos en ninguna de las aberturas.

Use esta bañera únicamente con el fin para el que ha sido fabricada, tal como se explica en esta guía. No use equipos adicionales que no recomiende Kohler Co.

La bañera se debe conectar a un circuito protegido con un interruptor de circuito con pérdida a tierra (GFCI)*. El instalador debe suministrar dicho interruptor GFCI, cuyo funcionamiento debe probarse en forma rutinaria. Para probar el GFCI, oprima el botón de prueba. El GFCI debe interrumpir el suministro eléctrico. Oprima el botón de restablecer (Reset). Esto debe restablecer el suministro eléctrico. Si el GFCI no funciona de esta manera, significa que está averiado. Si el GFCI interrumpe el suministro eléctrico a la bañera sin que se haya activado el botón de prueba, significa que fluye corriente a tierra, lo que indica la posibilidad de una

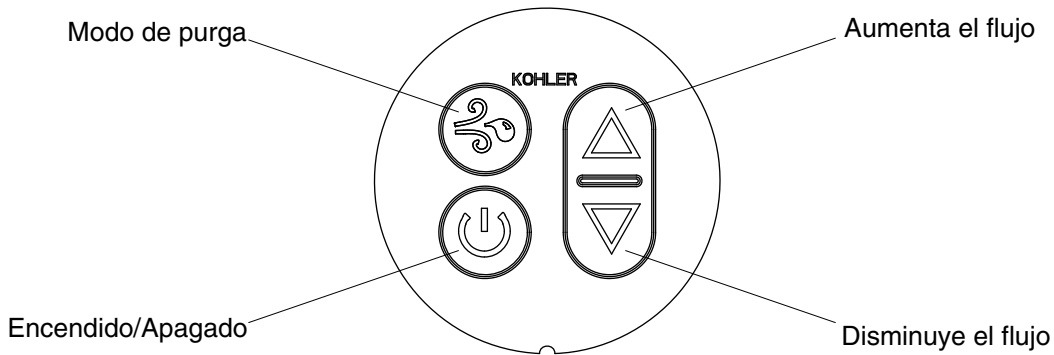
Instrucciones importantes de seguridad (cont.)

sacudida eléctrica. No utilice esta bañera. Desconecte la bañera y solicite que un representante de servicio autorizado solucione el problema.

El uso constante de productos de higiene personal que contengan aceites puede dañar los componentes plásticos de la bañera de hidromasaje. Evite el uso de aceites de baño.

La acción del hidromasaje puede hacer que una pequeña cantidad de líquidos para hacer burbujas, champú, jabón o aceite de baño, espume en exceso. Por esta razón, no utilice estos productos durante el funcionamiento de la bañera de hidromasaje.

*Fuera de Estados Unidos es posible que este dispositivo se conozca como dispositivo de corriente residual (RCD).



Instrucciones de funcionamiento

IMPORTANT! Este producto tiene un modo de purga automática de agua que enciende el motor soplador durante 5 minutos después de apagar y vaciar la unidad.

NOTE: La temperatura del agua en la bañera nunca debe exceder 104°F (40°C).

- Cierre el desagüe, luego llene la bañera por lo menos 4" (102 mm) arriba del jet más alto.
- Pruebe la temperatura del agua con la mano para asegurar que sea cómoda y segura, y luego entre con cuidado a la bañera.
- Oprima el icono de encendido para encender el motor soplador a una velocidad media.
- Oprima los iconos de flecha hacia [Arriba] o [Abajo] para aumentar o disminuir el flujo de aire.
- Vuelva a oprimir el icono de encendido por segunda vez para apagar el motor soplador.
- Salga con cuidado y vacíe la bañera.

NOTE: Una vez que la bañera se vacíe más abajo del sensor de nivel de agua, inicia en forma automática el modo de purga durante 5 minutos.

NOTE: Si la bañera no funciona correctamente, consulte la sección "Guía para resolver problemas".

Cuidado y limpieza

- **No utilice productos de limpieza en polvo, a menos que estén completamente disueltos en agua.** Las sustancias sólidas podrían obstruir los jets de aire.
- **No utilice soluciones de limpieza concentradas que contengan blanqueador o amoníaco.** Las soluciones de limpieza activas químicamente pueden dañar la superficie de la bañera.
- **No utilice disolventes ni limpiadores abrasivos en las superficies de acrílico.** Los disolventes y los productos de limpieza abrasivos pueden dañar la superficie de la bañera.
- Limpie su bañera acrílica con un paño suave después de cada uso.
- Evite el uso de detergentes, desinfectantes o productos de limpieza en aerosol.

NOTE: Para restaurar las unidades opacas o rayadas: Aplique un compuesto de pulir blanco para autos con un trapo limpio. Frote enérgicamente las áreas rayadas y opacas. Limpie los residuos. A continuación aplique una capa de cera en pasta blanca para autos. No aplique cera en las zonas donde se camina o donde se está de pie.

Limpeza del teclado del usuario y del control remoto

Cuidado y limpieza (cont.)

- Utilice un paño suave para limpiar el teclado y el control remoto después de cada uso. Si la superficie se ensucia, limpie con un jabón no abrasivo y agua tibia.

Mantenimiento de los jets de aire

- Si es necesario limpiar los jets de aire debido a depósitos de agua dura, utilice un cepillo interdental pequeño y vinagre blanco. Sumerja el cepillo en el vinagre, cepille el orificio, enjuague el cepillo en agua limpia y luego utilice el cepillo enjuagado para enjuagar el orificio.
- Llene la bañera de agua hasta la fila superior de jets de aire. Drene la bañera y oprima el botón de purga.

Para obtener información detallada de limpieza y de productos a considerar, visite www.kohler.com/clean. Para solicitar información sobre cuidado y limpieza, llame al 1-800-456-4537.

Resolución de problemas

NOTICE: El propósito de esta sección es solo ayuda general. Todos los problemas eléctricos deben ser resueltos por un representante de servicio autorizado de Kohler Co. o un electricista capacitado. Para obtener servicio de garantía, llame al 1-800-4KOHLER desde EE.UU. y Canadá, o al 001-800-456-4537 desde México.

Para consultar información sobre piezas de repuesto, visite la página de su producto en kohler.com/serviceparts.

Sistema de bañera de aeromasaaje

Síntomas	Causas probables	Acción recomendada
1. El motor soplador se enciende por sí mismo después de haber vaciado la bañera.	A. Funcionamiento normal. El modo de purga automática está funcionando de acuerdo a su diseño.	A. No se requiere acción alguna. El modo de purga automática funciona durante 5 minutos después de haber vaciado la bañera.
2. El motor soplador se apaga por sí mismo después de haber funcionado durante 5 minutos.	A. Se oprimió el icono de modo de purga en vez del icono de encendido/apagado.	A. Oprima el icono de encendido/apagado en el teclado. Consulte la sección de instrucciones de funcionamiento de la bañera de aeromasaaje.
3. El motor soplador no se enciende.	A. El cable de suministro eléctrico del motor soplador está suelto, desconectado o dañado.	A. Revise que los cables estén correctamente conectados.
	B. El cable para el teclado está suelto o dañado.	B. Revise las conexiones de los cables. De ser necesario, cambie el cable del teclado del usuario.
	C. El teclado del usuario no funciona.	C. Cambie el teclado del usuario.
	D. El motor soplador no funciona.	D. Cambie el motor soplador.
4. El motor soplador deja de funcionar y no se enciende de inmediato.	A. El motor soplador se ha sobrecalentado y se ha activado el dispositivo de protección.	A. Verifique que no haya obstrucciones en la entrada de aire del motor soplador. Elimine la obstrucción y deje enfriar el motor.

Resolución de problemas (cont.)

Síntomas	Causas probables	Acción recomendada
5. El motor soplador arranca, pero no todos los jets de aire funcionan.	A. La velocidad del motor soplador es demasiado baja.	A. Aumente la velocidad.
	B. La entrada del motor soplador está obstruida.	B. Limpie la entrada del motor soplador.
	C. El motor soplador no funciona.	C. Cambie el motor soplador.
	D. La descarga del motor soplador está obstruida.	D. Elimine la obstrucción.
	E. Hay jets de aire tapados.	E. Utilice un cepillo interdental pequeño y vinagre blanco. Sumerja el cepillo en el vinagre, cepille el orificio, enjuague el cepillo en agua limpia y luego utilice el cepillo enjuagado para enjuagar el orificio.
6. El motor soplador funciona, pero no se observan burbujas de aire.	A. La entrada del motor soplador está obstruida.	A. Limpie la entrada del motor soplador.
	B. Hay jets de aire tapados.	B. Utilice un cepillo interdental pequeño y vinagre blanco. Sumerja el cepillo en el vinagre, cepille el orificio, enjuague el cepillo en agua limpia y luego utilice el cepillo enjuagado para enjuagar el orificio.
	C. El motor soplador no funciona.	C. Cambie el motor soplador.
7. El motor soplador funciona, se observan burbujas de aire, pero la función de velocidad no funciona.	A. La entrada del motor soplador está obstruida.	A. Limpie la entrada del motor soplador.
	B. El arnés de cableado está suelto, desconectado o dañado.	B. Revise que los cables estén correctamente conectados. Si es necesario, cambie el arnés de cableado.
	C. El teclado del usuario no funciona.	C. Cambie el teclado del usuario.
	D. El motor soplador no funciona.	D. Cambie el motor soplador.
8. El motor soplador no se apaga cuando se oprime el botón de encendido/apagado.	A. El teclado del usuario no funciona.	A. Cambie el teclado del usuario.
	B. El arnés de cableado está suelto, desconectado o dañado.	B. Revise que los cables estén correctamente conectados. Si es necesario, cambie el arnés de cableado.
	C. El control no funciona.	C. Cambie el control.
9. El motor soplador funciona, pero el agua se enfría demasiado rápido.	A. El conducto de aire caliente no recibe suministro eléctrico.	A. Establezca o restablezca el interruptor GFCI que suministra al conducto de aire caliente; revise el cableado.
	B. Hay una falla del conducto de aire caliente.	B. Revise si hay una luz amarilla parpadeante en el conducto de aire caliente. Una luz amarilla indica una falla del sistema. Cambie el conducto de aire caliente.
10. Falla de calor a baja temperatura; la luz parpadea una vez en amarillo, luego repite este patrón después de una pausa de 1 segundo.	A. El agua para la válvula de solenoide está conectada al suministro de agua FRÍA.	A. Cambie el suministro de agua al suministro de agua caliente. Retire el suministro eléctrico al conducto de aire caliente durante 10 segundos para restablecer.
	B. El ensamblaje de inyección de agua no funciona.	B. Cambie el ensamblaje de inyección de agua.

Resolución de problemas (cont.)

Síntomas	Causas probables	Acción recomendada
11. Falla de termistor; la luz parpadea 2 veces en amarillo, luego repite este patrón después de una pausa de 1 segundo.	A. Conexión defectuosa.	A. Revise que los cables estén correctamente conectados. De ser necesario, cambie el conducto de aire caliente.
12. Falla de comunicación; la luz parpadea 3 veces en amarillo, luego repite este patrón después de una pausa de 1 segundo.	A. Conexiones de cables flojas.	A. Verifique que todas las conexiones cableadas entre la interface de usuario, el conducto de aire caliente, y el motor soplador estén bien asentadas y estables. Retire el suministro eléctrico al conducto de aire caliente durante 10 segundos para restablecer.
13. Falla de calor a alta temperatura; la luz parpadea 4 veces en amarillo, luego repite este patrón después de una pausa de 1 segundo.	A. El ensamblaje de inyección de agua no funciona.	A. Verifique que el agua esté conectada al suministro de agua caliente. Retire el suministro eléctrico al conducto de aire caliente durante 10 segundos para restablecer.
	B. Hay una falla del conducto de aire caliente.	B. Cambie el conducto de aire caliente.
14. El modo de purga no funciona.	A. El teclado del usuario no funciona.	A. Cambie el teclado del usuario.
	B. El control no funciona.	B. Cambie el control.
15. La bañera no se purga automáticamente.	A. El motor soplador no funciona.	A. Cambie las pilas.
	B. Los sensores de nivel de agua están defectuosos.	B. Cambie los cables.
	C. Los cables de los sensores de nivel de agua están tendidos juntos.	C. Separe los cables de forma que queden tendidos a los distintos lados de la bañera.

USA/Canada: 1-800-4KOHLER

México: 001-800-456-4537

kohler.com

THE BOLD LOOK
OF **KOHLER**®

©2020 Kohler Co.

1385103-2-B