

# Installation Instructions

## Showcase Side Medicine Cabinet

Record your model number:  
Noter le numéro de modèle:  
Anoté su número de modelo: \_\_\_\_\_

Français, page 20  
Español, página 38

**KOHLER®**

# Thank You for Choosing KOHLER

---

Need help? Contact our Customer Care Center.

- USA/Canada: 1-800-4KOHLER (1-800-456-4537) Mexico: 001-800-456-4537
- Service parts: [kohler.com/serviceparts](http://kohler.com/serviceparts)
- Care and cleaning: [kohler.com/clean](http://kohler.com/clean)
- Patents: [kohlercompany.com/patents](http://kohlercompany.com/patents)

## Warranty






---

This product is covered under the KOHLER® One-Year Limited Warranty, found at [kohler.com/warranty](http://kohler.com/warranty). For a hardcopy of warranty terms, contact the Customer Care Center.

## IMPORTANT SAFETY INSTRUCTIONS

---

Read all instructions before installing or using this product.

-  **WARNING: When using electrical products, basic precautions should always be followed, including the following:**
-  **WARNING: Risk of electric shock.** Grounding is required for the outlets within the junction box. Connect only to a circuit protected by a Class A Ground-Fault Circuit-Interrupter (GFCI)\*, which protects against line-to-ground shock hazard. Use a 120 VAC, 15 A service.
-  **WARNING: Risk of electric shock.** A qualified electrician must route all electrical wiring for the product. Improper installation will create an electrical hazard and may not comply with local building and electrical codes.
-  **WARNING: Risk of electric shock.** Disconnect the power before servicing.
-  **CAUTION: Risk of electric shock.** Electrical wiring may need to be relocated.

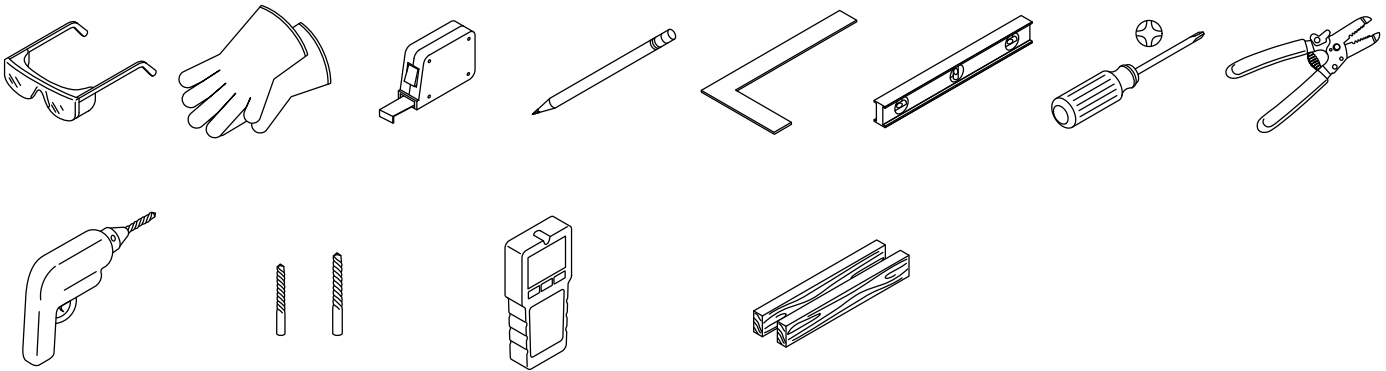
Follow all local plumbing, building, and electrical codes.

\*Outside North America, this may be known as a Residual Current Device (RCD).

**SAVE THESE INSTRUCTIONS**

## Tools and Materials

---








Drill Bits: 1/8" and 1/4" Stud Finder 2x4 Lumber - Recess-Mount Only

### Plus:

- Wall Anchors
- Framing and Drywall Tools
- Framing and Drywall Fasteners
- Jigsaw or Keyhole Saw - Recess-Mount Only

## Before You Begin

---

-  **CAUTION: Risk of personal injury.** This product is heavy. Get assistance lifting and moving the product.
-  **CAUTION: Risk of product or property damage.** The location of the cabinet is critical. Verify that the door will clear all obstacles (such as a faucet or light fixture). Verify that any obstacles behind the finished wall will not be damaged during the cutting and/or drilling process.
-  **CAUTION: Risk of property damage.** Use anchors (not provided) that are rated for the load weight of this product. Refer to the anchor manufacturer's instructions.
-  **CAUTION: Risk of property damage.** Maximum shelf load: 12.1 lbs (5.5 kg).
-  **CAUTION: Risk of property damage.** Maximum utility bar shelf load: 3.3 lbs (1.5 kg) per shelf.

**IMPORTANT!** Reroute any electrical wires or water supply piping. If you encounter drain or vent piping or if your wall is load-bearing, consult a professional before proceeding.

**NOTICE:** Risk of product damage. Do not leave the door supported with only one hinge during removal or reinstallation. Disengage the bottom hinge first during removal, and reattach the top hinge first during installation.

This product does not support TRIAC (Triode for Alternating Current) dimmers.

This medicine cabinet is for recessed- or surface-mount installations. Follow the instructions that apply to your chosen installation.

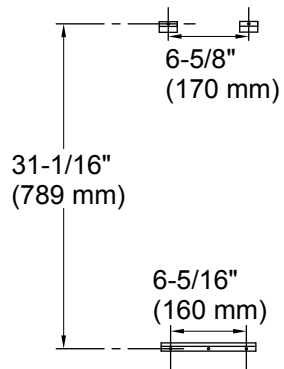
Your product may appear different from the one illustrated. The installation procedure is the same.

Two people should perform this installation.

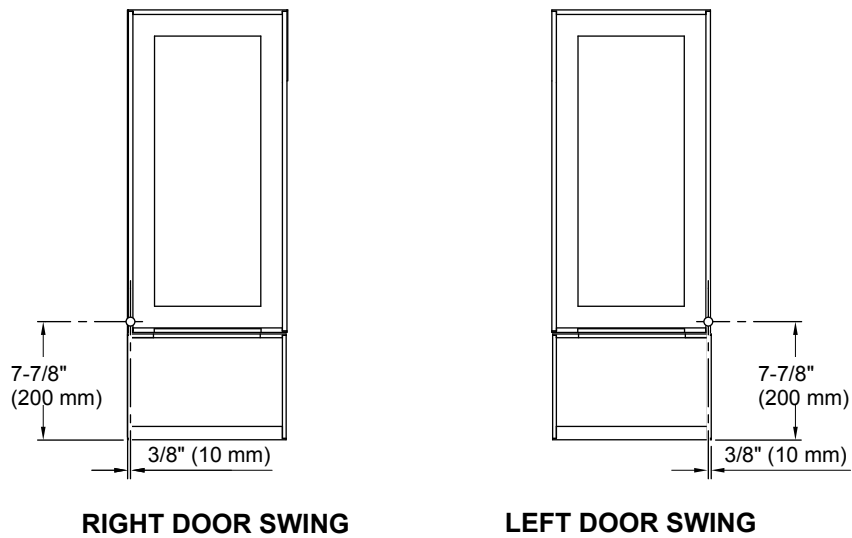
When determining the height of the product, verify the door(s) will clear all obstacles (such as a faucet or light fixture). A minimum distance of 3" (76 mm) is required.

# Roughing-In

## Mounting-Hole Locations - Surface-Mount Installation



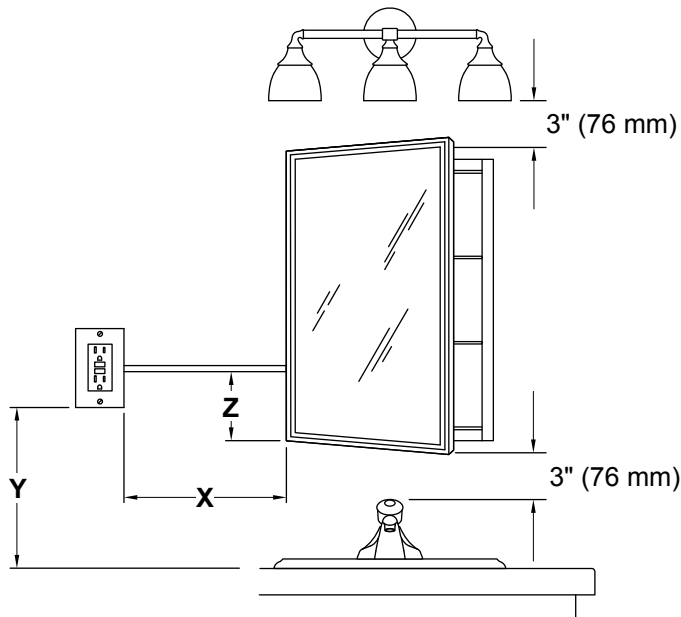
## Wiring-Hole Locations



For surface-mount installation, location of the wiring-hole is on the non-hinge side. The center of the wiring-hole should be 3/8" (10 mm) from the side of the cabinet. Drill a 3/4" (19 mm) hole in the wall for the electrical wires.

For recess-mount installation, electrical wires should enter the cabinet at the location indicated. Electrical wiring may be routed behind the cabinet or along the top or side of the cabinet.

# 1. Prepare the Site



**⚠ WARNING: Risk of electric shock.** Disconnect the power before performing the following procedures.

**⚠ WARNING: Risk of electric shock.** A qualified electrician should route all electrical wiring.

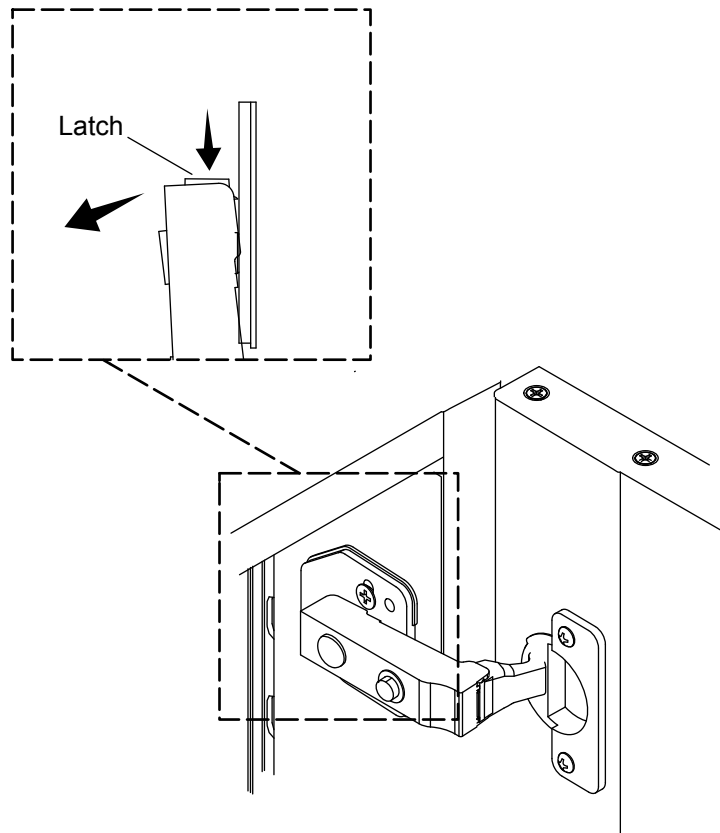
**IMPORTANT!** Use anchors (not provided) that are rated for the load weight of this product. Refer to the anchor manufacturer's instructions.

- When determining the height of the product, verify that the door will clear all obstacles (such as a faucet or light fixture). Provide a minimum distance of 3" (76 mm).
- Identify and mark stud locations.
- Measure and mark the mounting-hole locations for the bottom hanger(s) and top retaining clips according to the "Roughing-In" section.
- Determine the electrical wire hole location according to the dimensions shown in the "Roughing-In" section.
- Location of wiring holes for surface-mount cabinets is on the non-hinge side.
- Drill a 3/4" (19 mm) hole in the wall for the electrical wires.
- Route the electrical supply wires through the hole in the finished wall.

X	Y	Z
Less than 36" (914 mm)	Greater than 1" (25 mm)	7-7/8" (200 mm)

## 2. Remove the Door

---



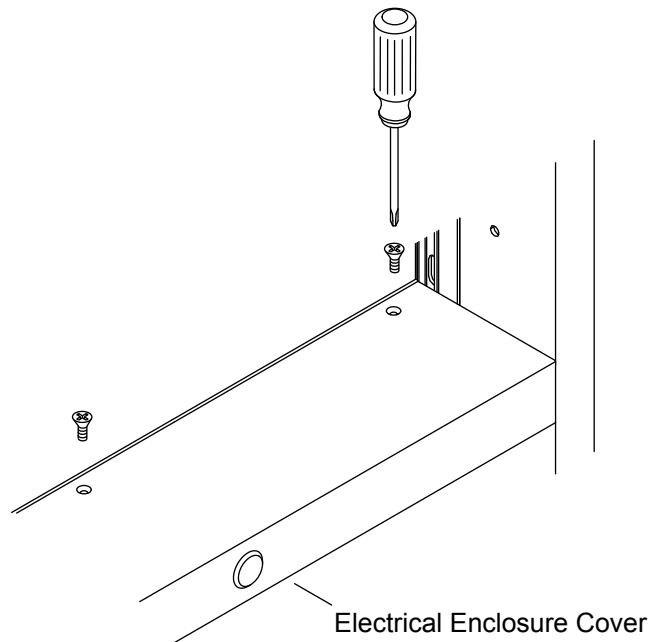
**⚠ CAUTION: Risk of personal injury.** This product is heavy. Get assistance lifting and moving the product.

**NOTE:** Cabinet doors can be removed to assist with installing multiple cabinets and recess-mount installations.

- With help, support the door in the open position.
- Starting with the bottom hinge, press the latch at the end of the hinge to release the latch from the bracket.
- Repeat for the upper hinge.
- Move the door forward to slide the hinges off the brackets.
- Carefully set the door onto a padded surface.

### 3. Remove the Electrical Enclosure Cover

---



**⚠ CAUTION: Risk of personal injury.** This product is heavy. Get assistance lifting and moving the product.

**NOTE:** All electrical wiring must be terminated inside the electrical enclosure.

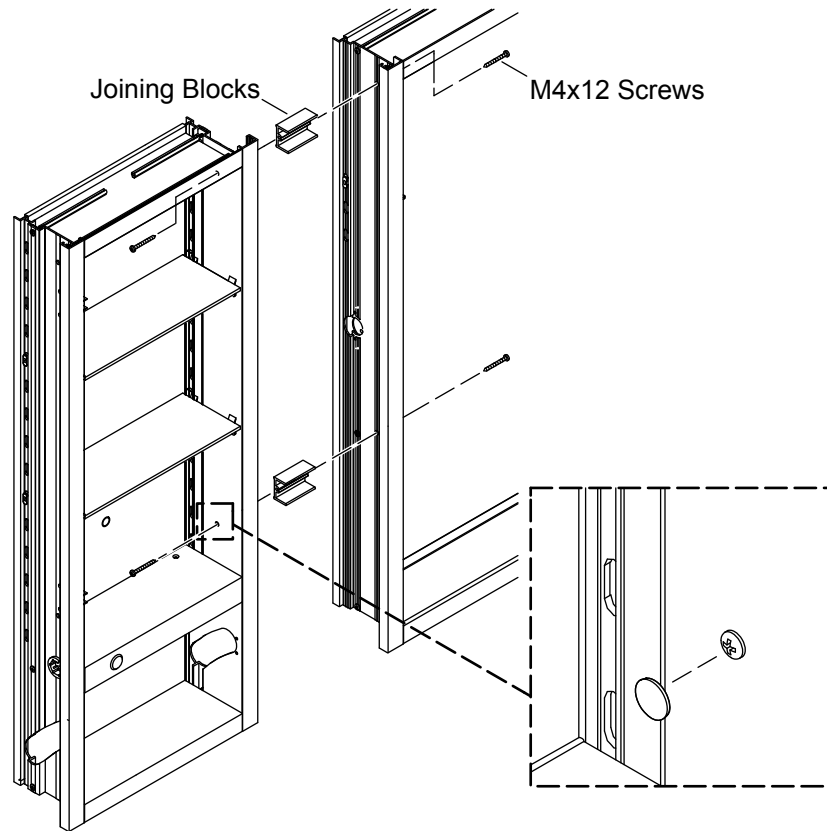
**NOTE:** Remove the electrical enclosure cover prior to installation so that the electrical wiring can be inserted into the cabinet. Install the electrical enclosure cover after connecting the electrical supply wires.

- Remove the two top screws from the electrical enclosure cover using a Phillips screwdriver. Lift the cover off and set aside.



## 4. Ganging (Multiple Cabinets Only)

---



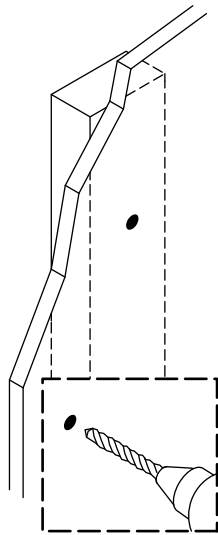
**⚠ CAUTION: Risk of personal injury.** This product is heavy. Get assistance lifting and moving the product.

**NOTE:** If installing multiple cabinets, install the cabinets one at a time, ganging the cabinets together one by one as the cabinets are installed.

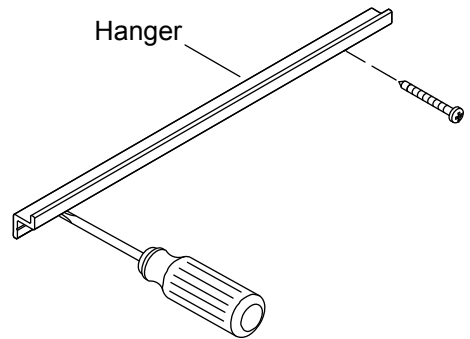
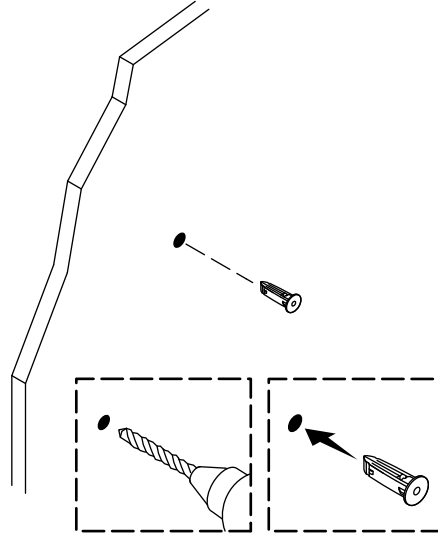
- Start with the first cabinet and attach two of the joining blocks to the side of the cabinet using the provided screws.
- Position the second cabinet next to the first cabinet.
- Align the screw holes on the side of the second cabinet with the slots in the joining blocks.
- If the electrical wires are connected between the cabinets, carefully position the electrical wires as the cabinets are joined together. Avoid pinching the electrical wires while securing the brackets.
- Secure the second cabinet to the first cabinet using the provided screws.
- Press the provided screw caps over the screws.
- Repeat for each additional cabinet that will be joined together.

## 5. Install the Hanger - Surface-Mount Installation

Wall Stud or Support



Drywall or Concrete

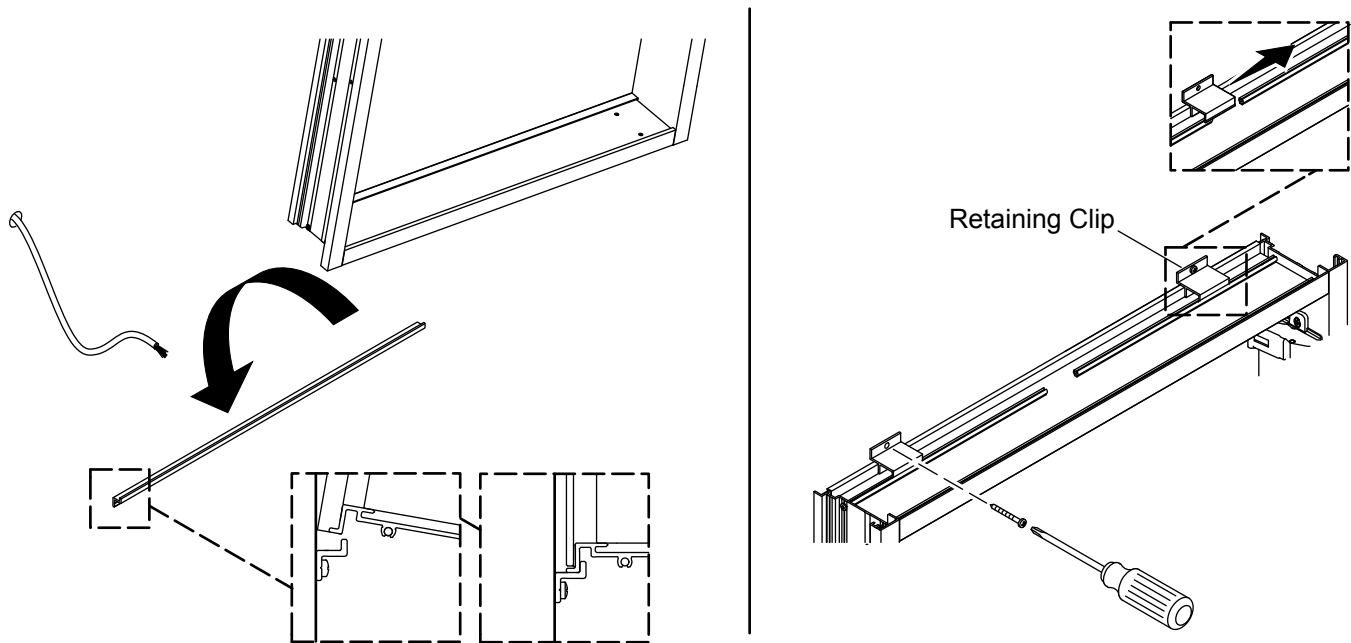


**⚠ CAUTION: Risk of personal injury.** This product is heavy. Get assistance lifting and moving the product.

**NOTE:** The following instructions are for surface-mount installation only. For recess-mount installation, refer to the "Recess-Mount Installation" sections.

- With help, lift and hold the cabinet in position on the wall.
- Position the bottom hanger in place under the cabinet on the wall, centered with the centerline of the cabinet.
- Verify that the cabinet and hanger are level.
- With help, set the cabinet down onto a padded surface.
- If the mounting-holes have not been marked, measure and mark the mounting-hole locations for the bottom hanger(s).
- If there is a wall stud or support at the marked mounting-hole locations, drill 1/8" pilot holes at the marked mounting-hole locations.
- For drywall, drill 1/8" pilot holes at the marked mounting-hole locations.
- For concrete walls, drill 1/4" pilot holes at the marked mounting-hole locations.
- For drywall without a stud, install the anchors (not provided).
- For concrete walls, install the anchors (not provided).
- Secure the hanger with the provided ST3.9x50 screws.

## 6. Install the Cabinet - Surface-Mount Installation



**⚠ CAUTION: Risk of personal injury.** This product is heavy. Get assistance lifting and moving the product.

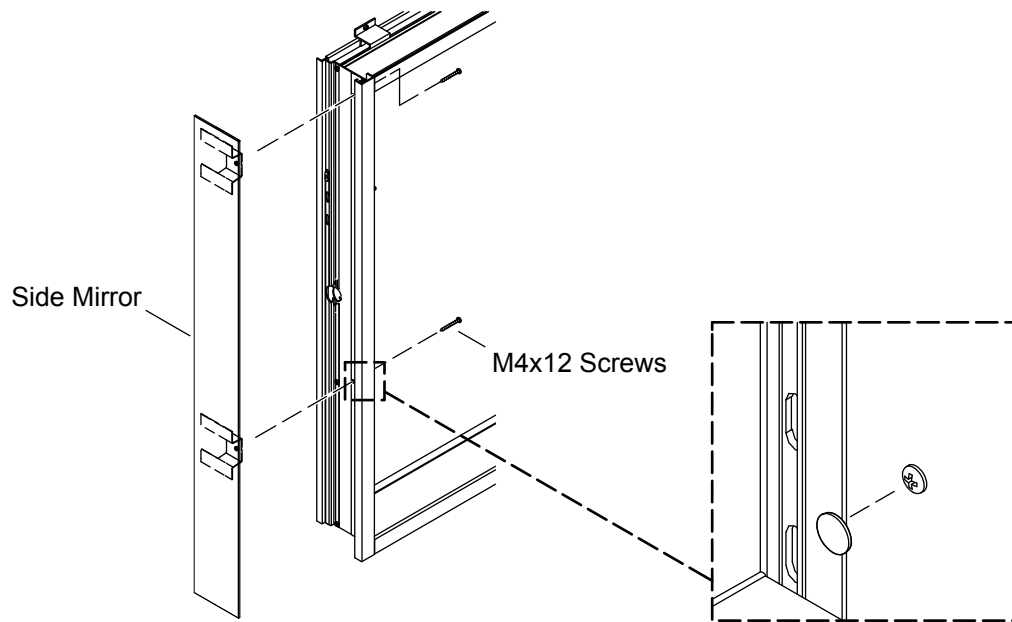
**NOTE:** If installing multiple cabinets, install the cabinets one at a time, ganging the cabinets together one by one as the cabinets are installed. Refer to the “Ganging (Multiple Cabinets Only)” section.

**NOTE:** The following instructions are for surface-mount installation only. For recess-mount installation, refer to the “Recess-Mount Installation” sections.

- With help, lift the cabinet and set the bottom of the cabinet onto the hanger. Verify that the bottom of the cabinet hooks and engages the hanger.
- Insert the electrical supply wires through the back of the cabinet into the side hole of the electrical enclosure. Pull the electrical supply wires through the cabinet and so that the electrical wires hang down in front of the cabinet.
- From the center of the cabinet, insert the top retaining clips into the channel and position a retaining clip to each side of the cabinet.
- Tilt the top of the cabinet and hold against the wall to mark the mounting-holes for the retaining clips.
- If there is a wall stud or support at the marked mounting-hole locations, drill 1/8" pilot holes at the marked mounting-hole locations.
- For drywall, drill 1/8" pilot holes at the marked mounting-hole locations.
- For concrete walls, drill 1/4" pilot holes at the marked mounting-hole locations.
- For drywall without a stud, install the anchors (not provided).
- For concrete walls, install the anchors (not provided).
- Tilt the top of the cabinet back against the wall and align the holes in the retaining clips with the mounting-holes.
- Secure the retaining clips with the provided ST3.9x50 screws.
- If installing multiple cabinets, refer to the “Ganging (Multiple Cabinets Only)” section to gang the next cabinet.

## 7. Install the Side Mirrors - Surface-Mount Installation

---

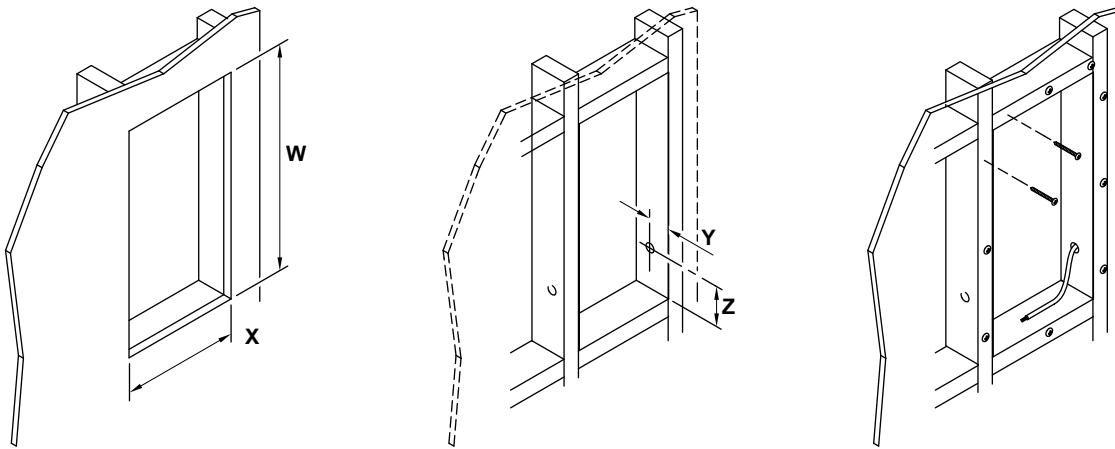


**NOTE:** The following instructions are for surface-mount installation only. For recess-mount installation, refer to the “Recess-Mount Installation” sections.

**NOTE:** The side mirrors have a left and right orientation.

- Align the left side mirror on the left side of the cabinet.
- Secure with the two provided M4x12 screws.
- Align the right side mirror on the right side of the cabinet.
- Secure with the two provided M4x12 screws.
- Press the provided screw caps over the screws.

## 8. Construct the Framing - Recess-Mount Installation



**NOTE:** The following instructions are for recess-mount installation only. For surface-mount installation, refer to the “Surface-Mount Installation” sections.

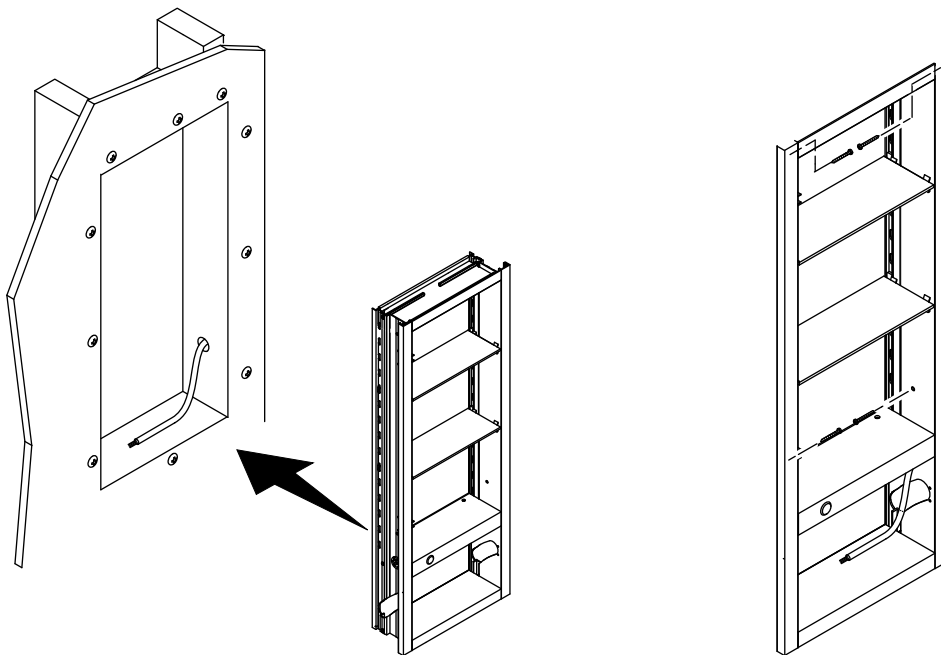
- Mark the cutout opening based on your models dimensions from the table below.
- Use a jigsaw or keyhole saw to carefully remove the finished wall material from the marked cutout location.
- Determine the electrical wire hole location according to the dimensions shown in the “Roughing-In” section.
- Verify that there is enough electrical wire to reach the junction box inside the cabinet.
- Frame the wall cavity. If needed, install a header.
- Secure the drywall to the framing.

### Cutout Size

Cabinet Model	W (Height)	X (Width)	Y (From Wall Surface)	Z (From Bottom of Cutout)
Showcase Side Cabinet	30-3/4" (781 mm)	11-5/16" (287 mm)	1" (25 mm)	7-7/16" (189 mm)

## 9. Install the Cabinet - Recess-Mount Installation

---

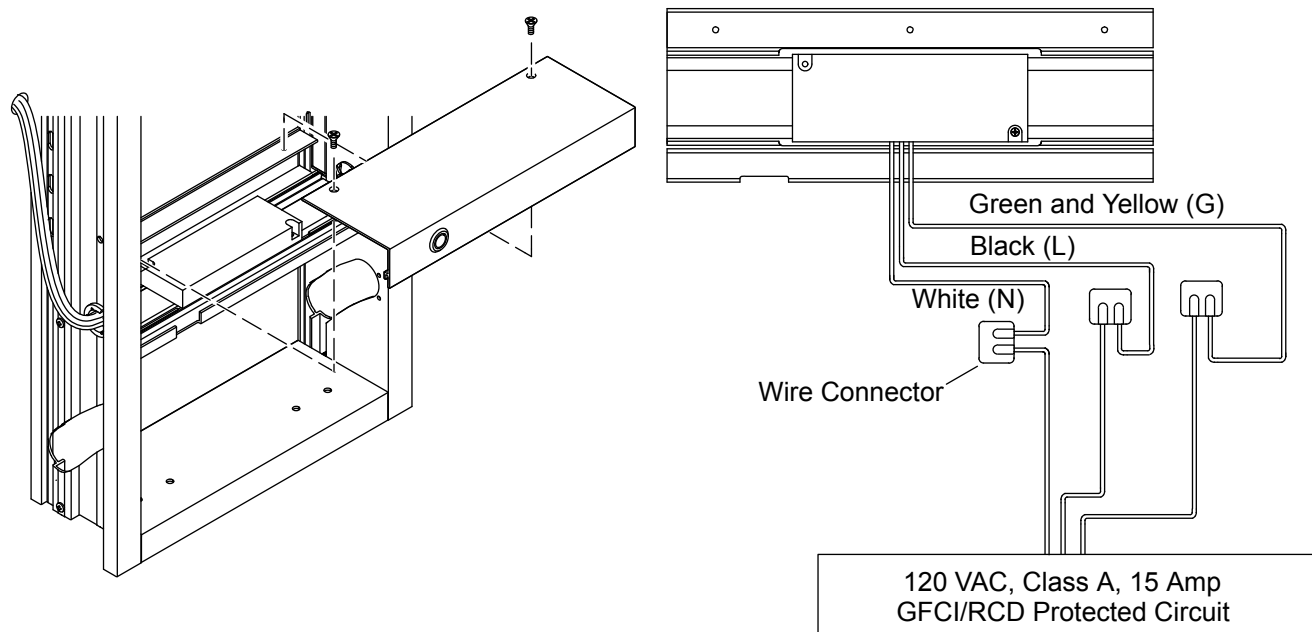


**⚠ CAUTION: Risk of personal injury.** This product is heavy. Get assistance lifting and moving the product.

**NOTE:** The following instructions are for recess-mount installation only. For surface-mount installation, refer to the "Surface-Mount Installation" sections.

- With help, lift and hold the cabinet in the cutout.
- Insert the electrical wires through the back of the cabinet at the location identified in the "Roughing-In" section.
- Pull the electrical wires through the cabinet side hole.
- Secure the cabinet to the side framing with the four provided ST3.9X40 screws.
- Press the provided screw caps over the screws.

## 10. Connect the Electrical Supply Wires



**⚠ WARNING: Risk of electric shock.** A qualified electrician should make all electrical connections.

**⚠ WARNING: Risk of electric shock.** Disconnect the power before performing the following procedures.

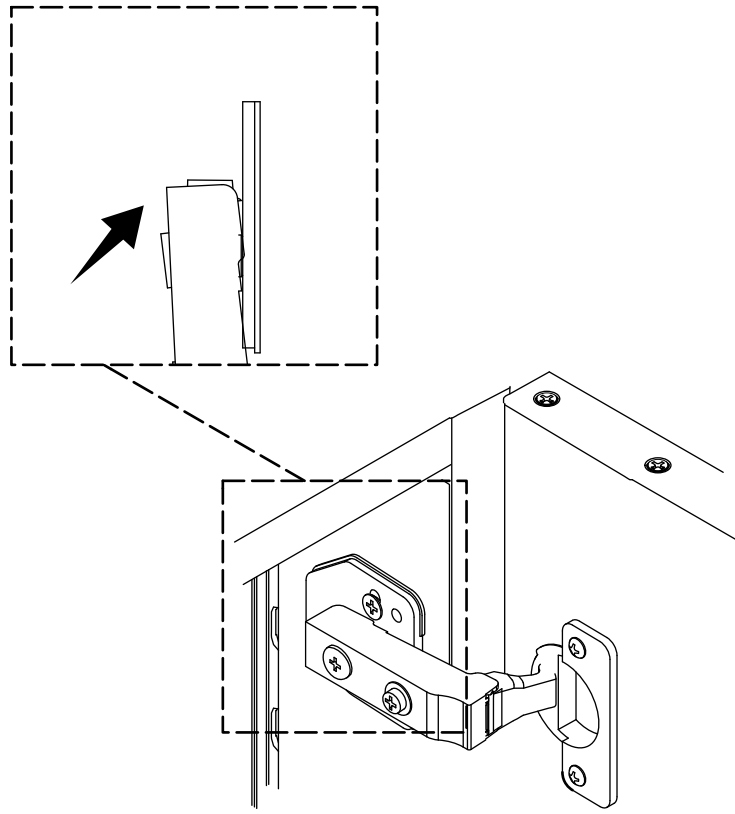
**NOTICE:** A qualified electrician must install the 120 VAC, 15 A, Class A GFCI\* protected circuit.

- Connect the electrical supply wires to the cabinet electrical wires following the wiring diagram.
- Reinstall the electrical enclosure cover onto the electrical enclosure. Secure with the two screws using a Phillips screwdriver.

\*Outside North America, this may be known as a Residual Current Device (RCD).

## 11. Install the Door

---



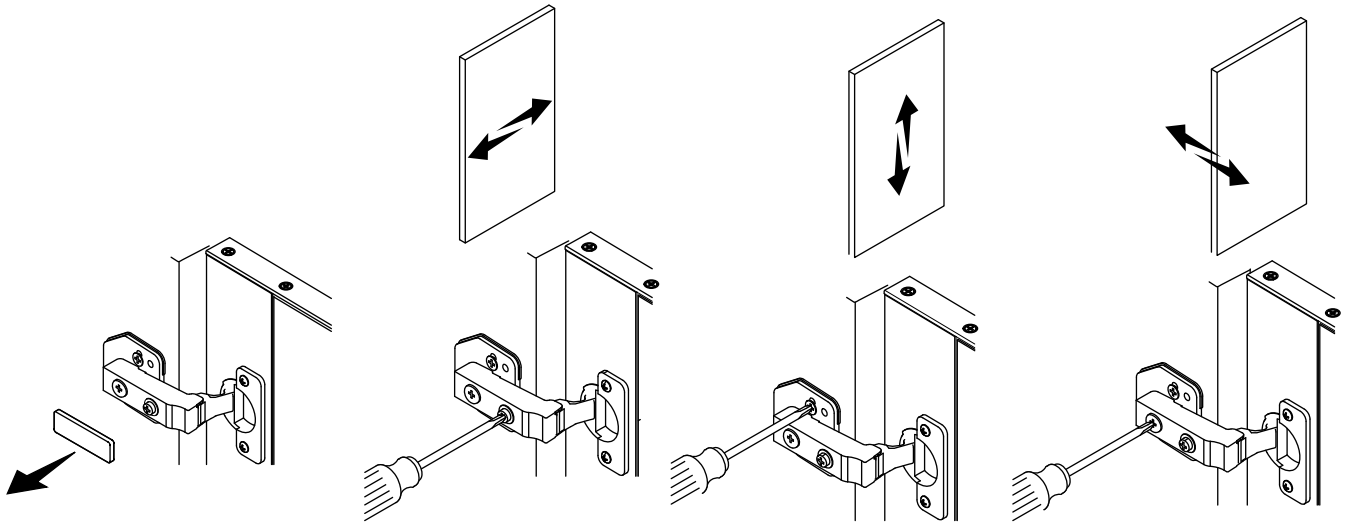
**⚠ CAUTION: Risk of personal injury.** This product is heavy. Get assistance lifting and moving the product.

- With help, support the door in the open position.
- Starting with the top bracket, align the hinge pin with the cup of the bracket.
- Press the back of the hinge to snap the latch onto the bracket.
- Repeat for the lower hinge.
- Open and close the door to verify proper operation.



## 12. Adjust the Door

---



**NOTE:** The hinges can be adjusted for proper door functionality and alignment.

- Remove the hinge cover to access the adjustment screws.

### **Left/Right Adjustment**

- Tighten or loosen the front screw to adjust the door horizontally.

### **Up/Down Adjustment**

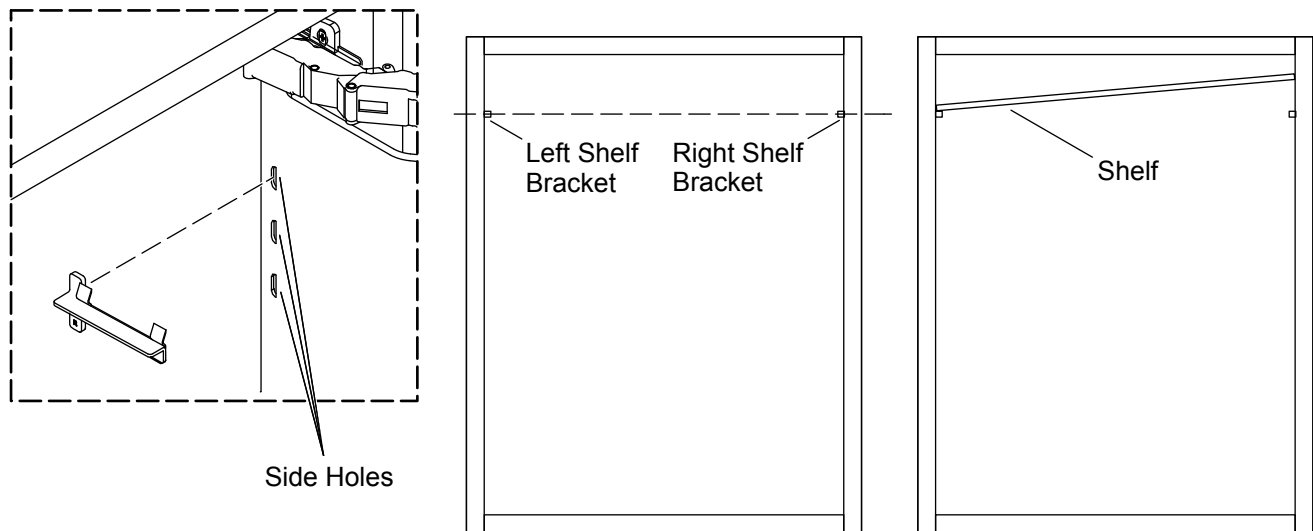
- Loosen the two screws holding the hinge to the cabinet. Adjust the height of the door and tighten the screws to secure the door in the desired position.

### **Forward/Backward Adjustment**

- Tighten or loosen the rear screw to adjust the door depth.

## 13. Install the Shelves

---

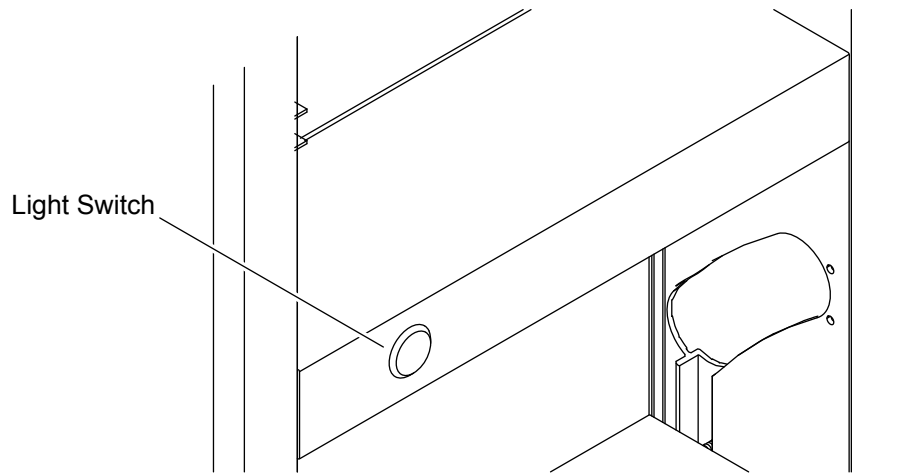


**⚠ CAUTION: Risk of property damage.** Maximum shelf load: 12.1 lbs (5.5 kg).

- Insert the left and right shelf brackets into the side holes.
- Verify that the shelf brackets on both sides of the cabinet are aligned.
- Position one end of the shelf onto one shelf bracket and then press the other end of the shelf down onto the opposite shelf bracket.

## Operating the Light

---



- Press the light switch to turn ON the light.
- Press the light switch to turn OFF the light.

# Instructions d'installation

## Armoire à pharmacie latérale à vitrine

### Merci d'avoir choisi KOHLER

---

**Besoin d'aide?** Appeler notre centre de services à la clientèle.

- USA/Canada : 1-800-4KOHLER (1-800-456-4537) Mexique : 001-800-456-4537
- **Pièces d'entretien** : [kohler.com/serviceparts](http://kohler.com/serviceparts)
- **Entretien et nettoyage** : [kohler.com/clean](http://kohler.com/clean)
- **Brevets** : [kohlercompany.com/patents](http://kohlercompany.com/patents)

### Garantie






---

Ce produit est couvert sous la **garantie limitée d'un an KOHLER®**, fournie sur le site [kohler.com/warranty](http://kohler.com/warranty). Pour obtenir une copie imprimée des termes de la garantie, s'adresser au centre de services à la clientèle.

### INSTRUCTIONS IMPORTANTES SUR LA SÉCURITÉ

---

**Lire toutes les instructions avant d'installer ou d'utiliser ce produit.**

-  **AVERTISSEMENT : Lors de l'utilisation de produits électriques, toujours observer les mesures de précaution de base, dont les suivantes :**
-  **AVERTISSEMENT : Risque d'électrocution.** Une mise à la terre est requise pour les prises comprises dans la boîte de connexion. Seulement raccorder à un circuit qui est protégé par un disjoncteur de fuite de terre (GFCI)\* de Classe A qui protège contre les risques d'électrocution de tension phase-terre. Utiliser un service de 120 V c.a., 15 A.
-  **AVERTISSEMENT : Risque de choc électrique.** Tout le câblage électrique pour le produit doit être acheminé par un électricien qualifié. Une installation non adéquate crée un danger électrique et pourrait ne pas être conforme aux codes du bâtiment et d'électricité locaux.
-  **AVERTISSEMENT : Risque de choc électrique.** Débrancher l'alimentation électrique avant un entretien.
-  **ATTENTION : Risque de choc électrique.** Il sera peut-être nécessaire de déplacer le câblage électrique.

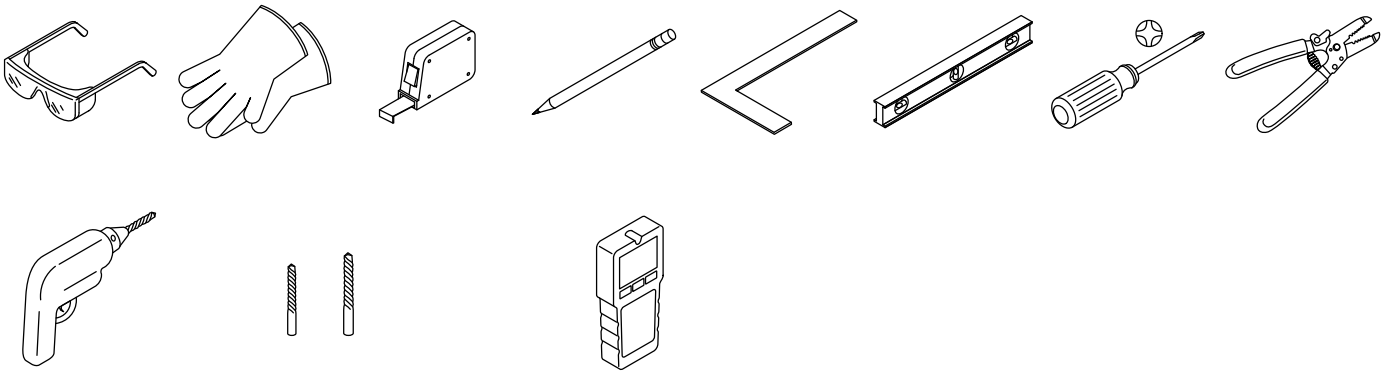
Respecter tous les codes locaux en ce qui concerne l'électricité, la plomberie et le bâtiment.

\*Hors de l'Amérique du Nord, ce dispositif peut être connu sous le nom de dispositif à courant résiduel (RCD).

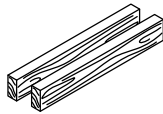
**CONSERVER CES INSTRUCTIONS**

## Outils et matériel

---



Mèches : 1/8 po et 1/4 po Localisateur de montants








Bois de construction 2x4 - Montage encastré uniquement

### Plus :

- Chevilles d'ancrage mural
- Outils pour encadrement et cloison sèche
- Dispositifs d'attache pour encadrement et cloison sèche
- Scie sauteuse ou à guichet - Montage encastré uniquement

## Avant de commencer

---

-  **ATTENTION : Risque de blessures.** Ce produit est lourd. Demander de l'aide pour soulever et déplacer le produit.
-  **ATTENTION : Risque d'endommagement du produit ou de dommages matériels.** L'emplacement de l'armoire est de première importance. Vérifier que la porte est dégagée de tous les obstacles (comme un robinet ou un appareil d'éclairage). Vérifier qu'aucun des obstacles se trouvant à l'arrière du mur fini ne sera endommagé pendant la procédure de coupe et/ou de perçage.
-  **ATTENTION : Risque de dommages matériels.** Utiliser des chevilles d'ancrage (non fournies) classifiées pour le poids de charge de ce produit. Se référer aux instructions du fabricant des chevilles d'ancrage.
-  **ATTENTION : Risque de dommages matériels.** Charge d'étagère maximale : 12,1 lb (5,5 kg).
-  **ATTENTION : Risque de dommages matériels.** Charge maximale d'étagères à barre utilitaire : 3,3 lb (1,5 kg) par étagère.

**IMPORTANT!** Réacheminer tous les câbles électriques ou tuyaux d'alimentation en eau. En présence de tuyauterie d'évent ou d'écoulement ou s'il s'agit d'un mur porteur, consulter un professionnel avant de continuer.

**AVIS :** Risque d'endommagement du produit. Ne pas laisser la porte soutenue par une seule charnière seulement lors du retrait ou de la réinstallation. Dégager la charnière inférieure en premier lieu lors du retrait, puis réattacher d'abord la charnière supérieure pendant l'installation.

Ce produit ne prend pas en charge les gradateurs TRIAC (Triode pour courant alternatif).

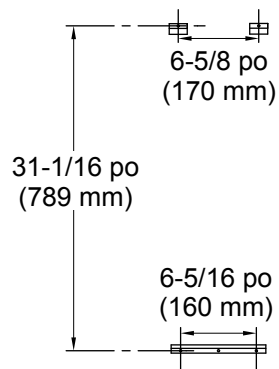
L'armoire à pharmacie est destinée à des installations avec montage encastré ou en surface. Suivre les instructions qui s'appliquent pour l'installation choisie.

Le produit en question peut être différent de celui qui est illustré. La procédure d'installation reste la même.

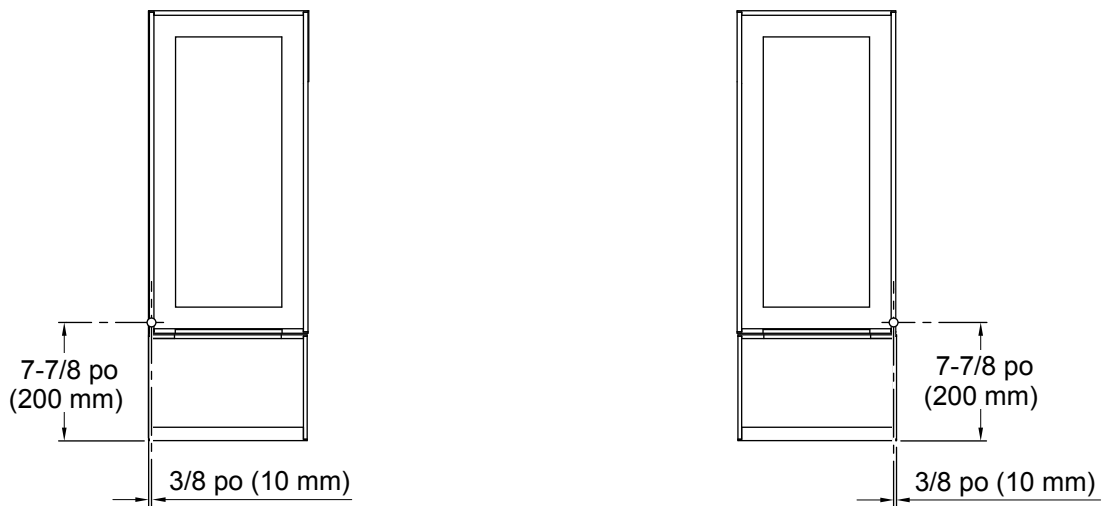
Deux personnes doivent effectuer cette installation.

Lors de l'établissement de la hauteur du produit, vérifier que la ou les portes sont dégagées de tous les obstacles (comme un robinet ou un appareil d'éclairage). Une distance de 3 po (76 mm) minimum est requise.

## Emplacements des trous de fixation - Installation avec montage en surface



## Emplacements des trous de câblage

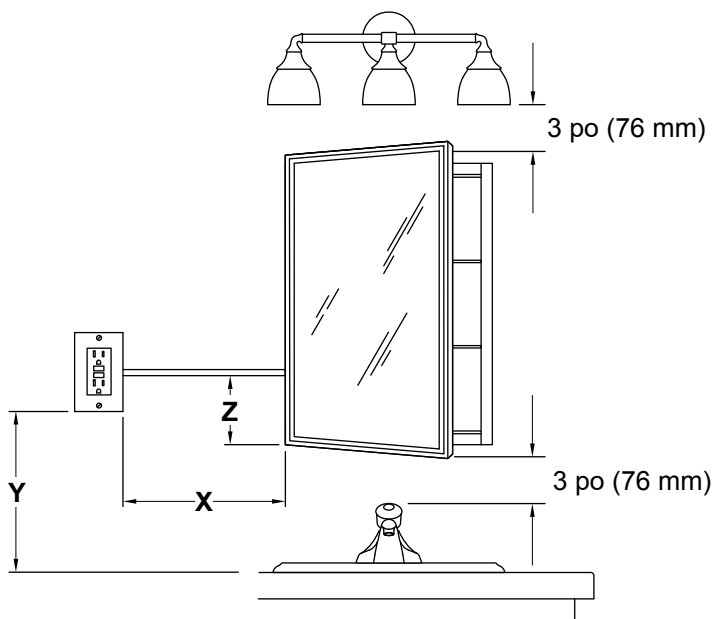


**OUVERTURE DE PORTE SUR LA DROITE    OUVERTURE DE PORTE SUR LA GAUCHE**

Pour une installation avec montage en surface, l'emplacement du trou de câblage se trouve sur le côté sans charnières. Le centre du trou de câblage devrait se trouver à 3/8 po (10 mm) du côté de l'armoire. Percer un trou de 3/4 po (19 mm) dans le mur pour les fils électriques.

Pour une installation avec montage encastré, les fils électriques devraient entrer dans l'armoire à l'emplacement indiqué. Le câblage électrique peut être acheminé à l'arrière de l'armoire ou le long du haut ou du côté de l'armoire.

# 1. Préparer le site



**⚠ AVERTISSEMENT : Risque de choc électrique.** Débrancher l'alimentation électrique avant d'exécuter les procédures suivantes.

**⚠ AVERTISSEMENT : Risque de choc électrique.** Tout le câblage électrique doit être acheminé par un électricien qualifié.

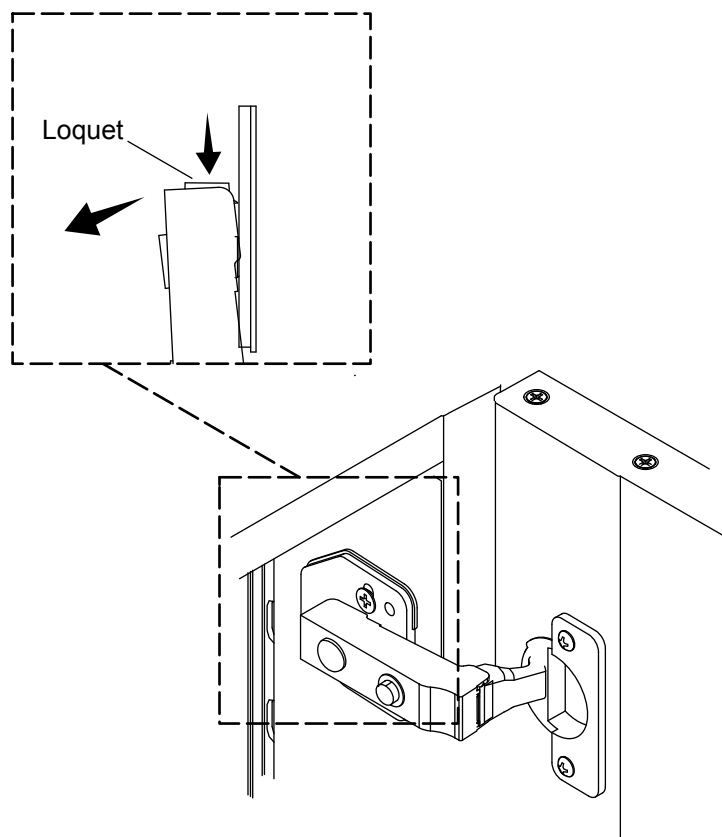
**IMPORTANT!** Utiliser des chevilles d'ancrage (non fournies) classifiées pour le poids de charge de ce produit. Se référer aux instructions du fabricant des chevilles d'ancrage.

- Lors de l'établissement de la hauteur du produit, vérifier que la porte sera dégagée de tous les obstacles (comme un robinet ou un appareil d'éclairage). Fournir une distance de 3 po (76 mm) minimum.
- Identifier et marquer les emplacements des montants.
- Mesurer et marquer les emplacements des trous de fixation pour l'étrier ou les étriers inférieurs et les pinces de retenue supérieures conformément à la section « Plomberie brute ».
- Déterminer l'emplacement du trou des fils électriques conformément aux dimensions indiquées dans la section « Plomberie brute ».
- L'emplacement des trous de câblage pour les armoires à montage en surface se trouve sur le côté sans charnières.
- Percer un orifice de 3/4 po (19 mm) dans le mur pour les fils électriques.
- Acheminer les fils d'alimentation électrique à travers le trou dans le mur fini.

X	Y	Z
Moins de 36 po (914 mm)	Plus de 1 po (25 mm)	7-7/8 po (200 mm)



## 2. Retirer la porte

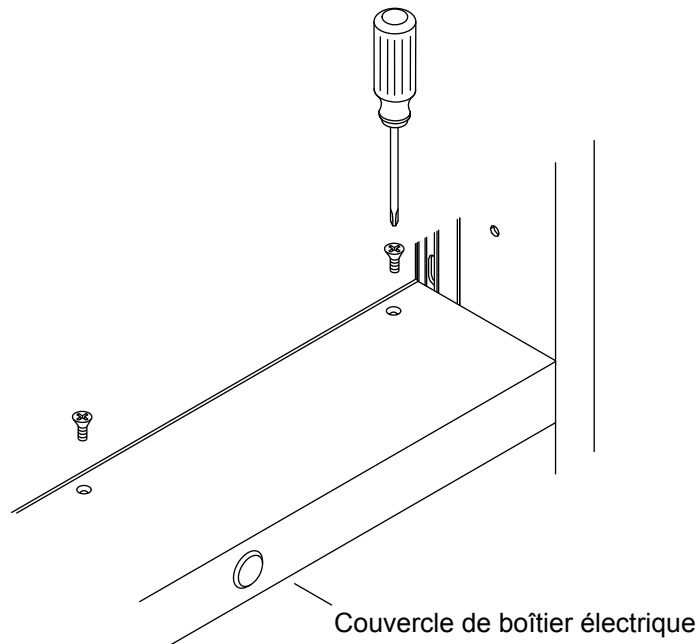


**⚠ ATTENTION : Risque de blessures.** Ce produit est lourd. Demander de l'aide pour soulever et déplacer le produit.

**REMARQUE :** Les portes des armoires peuvent être retirées pour aider avec l'installation de plusieurs armoires et les installations avec montage encastré.

- Avec de l'aide, soutenir la porte en position ouverte.
- En commençant par la charnière inférieure, appuyer sur le loquet au bout de la charnière pour dégager le loquet du support.
- Répéter la procédure pour la charnière supérieure.
- Déplacer la porte vers l'avant pour glisser les charnières hors des supports.
- Poser la porte avec précaution sur une surface rembourrée.

### 3. Retirer le couvercle du boîtier électrique



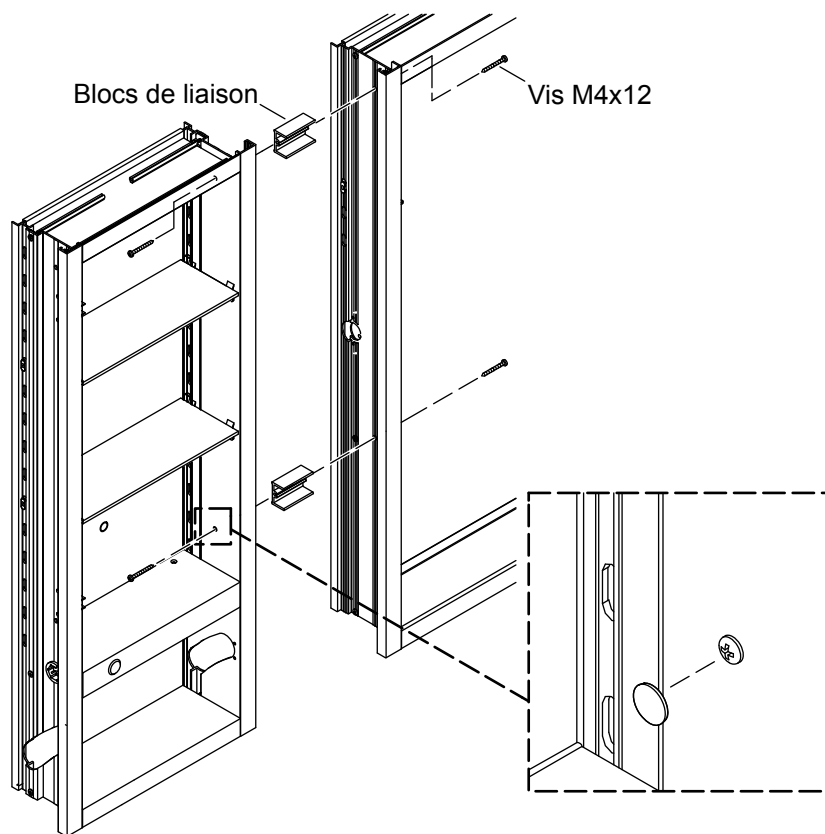
**⚠ ATTENTION : Risque de blessures.** Ce produit est lourd. Demander de l'aide pour soulever et déplacer le produit.

**REMARQUE :** Tout le câblage électrique doit être bouclé à l'intérieur du boîtier électrique.

**REMARQUE :** Retirer le couvercle du boîtier électrique avant l'installation de manière à ce que le câblage électrique puisse être inséré dans l'armoire. Installer le couvercle du boîtier électrique après avoir connecté les fils d'alimentation électrique.

- Retirer les deux vis supérieures du couvercle du boîtier électrique en utilisant un tournevis Phillips. Soulever le couvercle pour le retirer et le mettre de côté.

## 4. Accoler (plusieurs armoires uniquement)



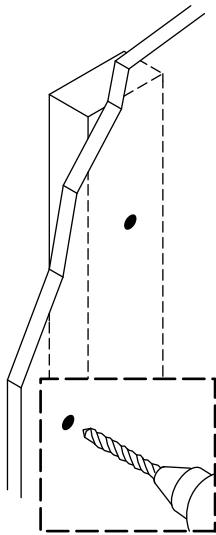
**⚠ ATTENTION : Risque de blessures.** Ce produit est lourd. Demander de l'aide pour soulever et déplacer le produit.

**REMARQUE :** En cas d'installation de plusieurs armoires, installer les armoires une à la fois, en les accolant une à la fois, au fur et à mesure de leur installation.

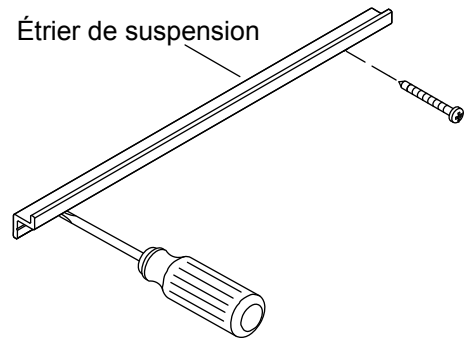
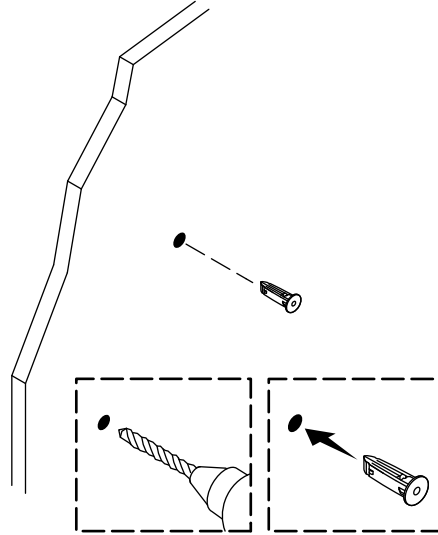
- Commencer par la première armoire et attacher deux des blocs qui se rattachent sur le côté de l'armoire en utilisant les vis fournies.
- Positionner la deuxième armoire à côté de la première.
- Aligner les trous de vis sur le côté de la deuxième armoire avec les fentes des blocs de liaison.
- Si les fils électriques sont connectés entre les armoires, positionner les fils électriques avec précaution alors que les armoires sont connectées entre elles. Éviter de pincer les fils électriques pendant que les supports sont fixés en place.
- Sécuriser la deuxième armoire sur la première armoire en utilisant les vis fournies.
- Enfoncer les chapeaux de vis fournis sur les vis.
- Répéter pour chaque armoire supplémentaire qui sera accolée.

## 5. Installer l'étrier - Installation avec montage en surface.

Support ou poteau mural



Cloison sèche ou béton

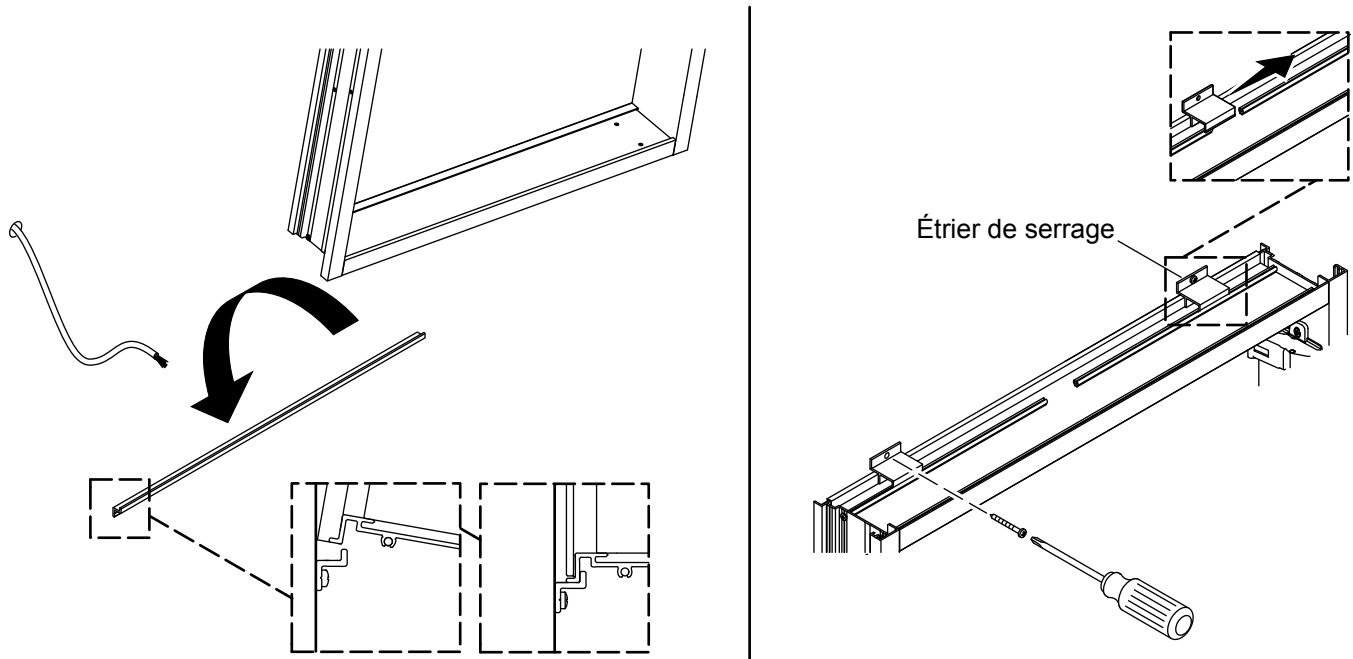


**⚠ ATTENTION : Risque de blessures.** Ce produit est lourd. Demander de l'aide pour soulever et déplacer le produit.

**REMARQUE :** Les instructions ci-dessous s'appliquent à une installation avec montage en surface uniquement. Se référer aux sections « Installation avec montage encastré » pour une installation avec montage encastré.

- En se faisant aider, soulever l'armoire et la tenir positionnée sur le mur.
- Positionner l'étrier inférieur en place sous l'armoire sur le mur, centré avec la ligne centrale de l'armoire.
- Vérifier que l'armoire et l'étrier sont à niveau.
- Avec de l'aide, déposer l'armoire sur une surface rembourrée.
- Si les trous de fixation n'ont pas été marqués, mesurer et marquer les emplacements des trous de fixation pour le(s) étrier(s) inférieurs.
- Si un poteau ou un support mural sont présents aux emplacements des trous de fixation marqués, percer des avant-trous de 1/8 po aux emplacements des trous de fixation marqués.
- Pour une cloison sèche, percer des avant-trous de 1/8 po aux emplacements des trous de fixation marqués.
- Pour des murs en béton, percer des avant-trous de 1/4 po aux emplacements des trous de fixation marqués.
- Pour une cloison sèche sans poteau, installer des chevilles d'ancrage (non fournies).
- Pour des murs en béton, installer les chevilles d'ancrage (non fournies).
- Fixer l'étrier avec les vis de ST3.9x50 fournies.

## 6. Installer l'armoire - Installation avec montage en surface



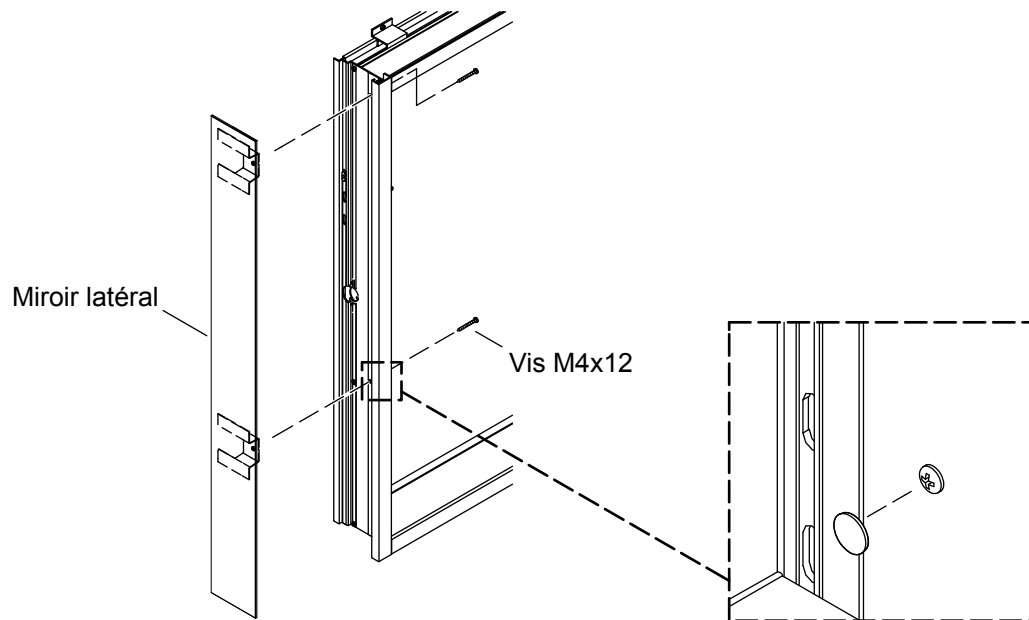
**⚠ ATTENTION : Risque de blessures.** Ce produit est lourd. Demander de l'aide pour soulever et déplacer le produit.

**REMARQUE :** En cas d'installation de plusieurs armoires, installer les armoires une à la fois, en les accolant une à la fois, au fur et à mesure de leur installation. Se reporter à la section « Accoler (plusieurs armoires uniquement) ».

**REMARQUE :** Les instructions ci-dessous s'appliquent à une installation avec montage en surface uniquement. Se référer aux sections « Installation avec montage encastré » pour une installation avec montage encastré.

- Avec de l'aide, soulever l'armoire et poser le bas de l'armoire sur l'étrier. Vérifier que le fond de l'armoire accroche et engage l'étrier.
- Insérer les fils d'alimentation électrique à travers l'arrière de l'armoire dans le trou latéral du boîtier électrique. Tirer les fils d'alimentation électrique à travers l'armoire de manière à ce que les fils électriques pendent vers le bas sur l'avant de l'armoire.
- À partir du centre de l'armoire, insérer les pinces de retenue supérieures dans le canal et positionner une pince de retenue sur chaque côté de l'armoire.
- Basculer le haut de l'armoire et le tenir contre le mur pour marquer les trous de fixation pour les pinces de retenue.
- Si un poteau ou un support mural sont présents aux emplacements des trous de fixation marqués, percer des avant-trous de 1/8 po aux emplacements des trous de fixation marqués.
- Pour une cloison sèche, percer des avant-trous de 1/8 po aux emplacements des trous de fixation marqués.
- Pour des murs en béton, percer des avant-trous de 1/4 po aux emplacements des trous de fixation marqués.
- Pour une cloison sèche sans poteau, installer des chevilles d'ancrage (non fournies).
- Pour des murs en béton, installer les chevilles d'ancrage (non fournies).
- Rebasculer le haut de l'armoire contre le mur et aligner les trous dans les pinces de retenue avec les trous de fixation.
- Fixer les pinces de retenue avec les vis ST3.9x50 fournies.
- En cas d'installation de plusieurs armoires, se reporter à la section « Accoler (plusieurs armoires uniquement) » pour accoler le cabinet suivant.

## 7. Installer les miroirs latéraux - Installation avec montage en surface

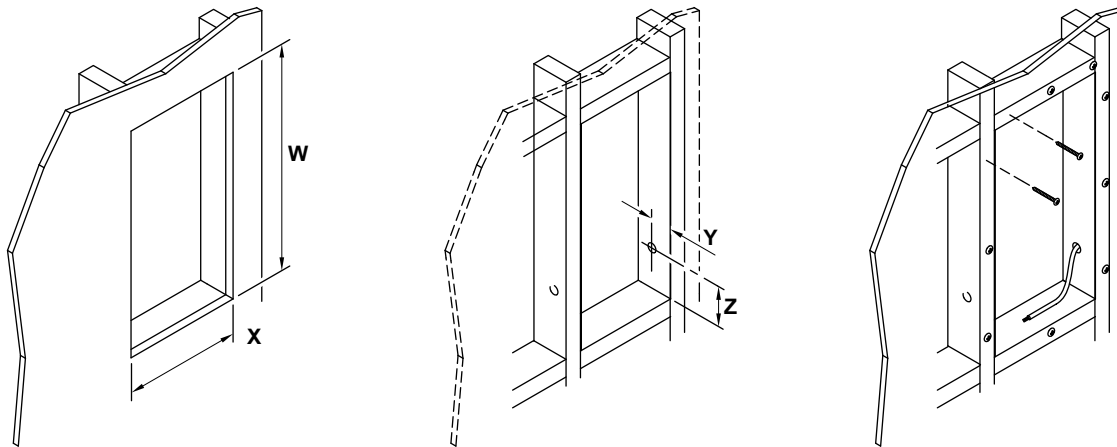


**REMARQUE :** Les instructions ci-dessous s'appliquent à une installation avec montage en surface uniquement. Se référer aux sections « Installation avec montage encastré » pour une installation avec montage encastré.

**REMARQUE :** Les miroirs latéraux ont une orientation vers la gauche et vers la droite.

- Aligner le miroir côté gauche sur le côté gauche de l'armoire.
- Fixer en place avec les deux vis M4x12 fournies.
- Aligner le miroir côté droit sur le côté droit de l'armoire.
- Fixer en place avec les deux vis M4x12 fournies.
- Enfoncer les chapeaux de vis fournis sur les vis.

## 8. Construire l'encadrement - Installation avec montage encastré



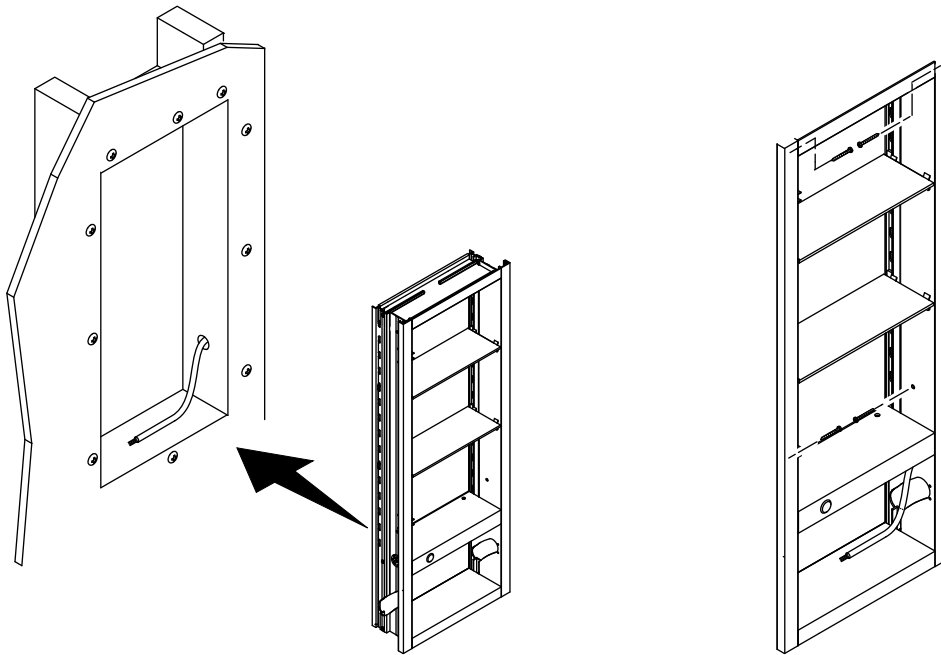
**REMARQUE :** Les instructions ci-dessous s'appliquent à une installation avec montage encastré uniquement. Se référer aux sections « Installation avec montage en surface » pour une installation à montage en surface.

- Marquer l'ouverture de la découpe en fonction des dimensions des modèles en question fournies dans le tableau ci-dessous.
- À l'aide d'une scie sauteuse ou d'une scie à guichet, retirer avec précaution le matériau du mur fini de l'emplacement de découpe marqué.
- Déterminer l'emplacement du trou des fils électriques conformément aux dimensions indiquées dans la section « Plomberie brute ».
- Vérifier que le fil électrique est assez long pour atteindre la boîte de connexion à l'intérieur de l'armoire.
- Encadrer le vide intérieur du mur. Si nécessaire, installer un linteau.
- Fixer la cloison sèche en place sur l'encadrement.

### Taille de découpe

Modèle d'armoire	W (Hauteur)	X (Largeur)	Y (À partir de la surface du mur)	Z (À partir du bas de la découpe)
Armoire latérale à vitrine	30-3/4 po (781 mm)	11-5/16 po (287 mm)	1 po (25 mm)	7-7/16 po (189 mm)

## 9. Installer l'armoire - Installation avec montage encastré



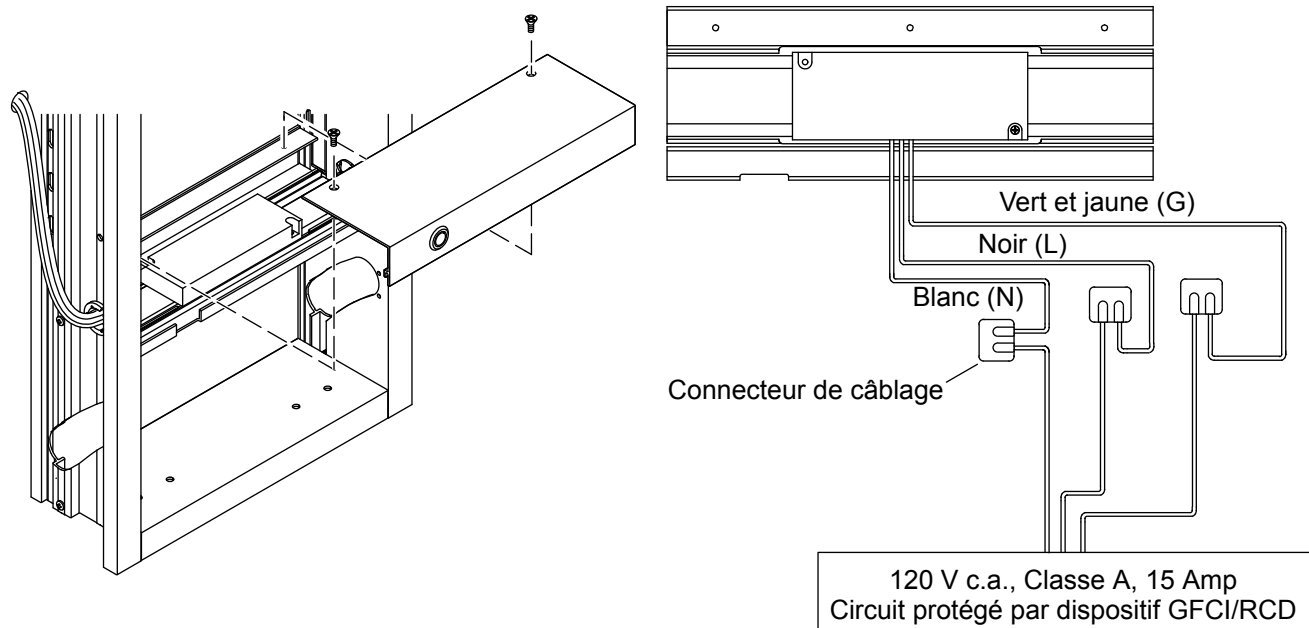
**⚠ ATTENTION : Risque de blessures.** Ce produit est lourd. Demander de l'aide pour soulever et déplacer le produit.

**REMARQUE :** Les instructions ci-dessous s'appliquent à une installation avec montage encastré uniquement. Se référer aux sections « Installation avec montage en surface » pour une installation à montage en surface.

- En se faisant aider, soulever l'armoire et la tenir dans la découpe.
- Insérer les fils électriques à travers l'arrière de l'armoire à l'emplacement identifié dans la section « Plomberie brute ».
- Tirer les fils électriques à travers le trou latéral de l'armoire.
- Fixer l'armoire sur l'encadrement latéral avec les quatre vis ST3.9x40 fournies.
- Enfoncer les chapeaux de vis fournis sur les vis.



## 10. Connecter les fils d'alimentation électrique



**⚠ AVERTISSEMENT : Risque de choc électrique.** Un électricien qualifié doit effectuer toutes les connexions électriques.

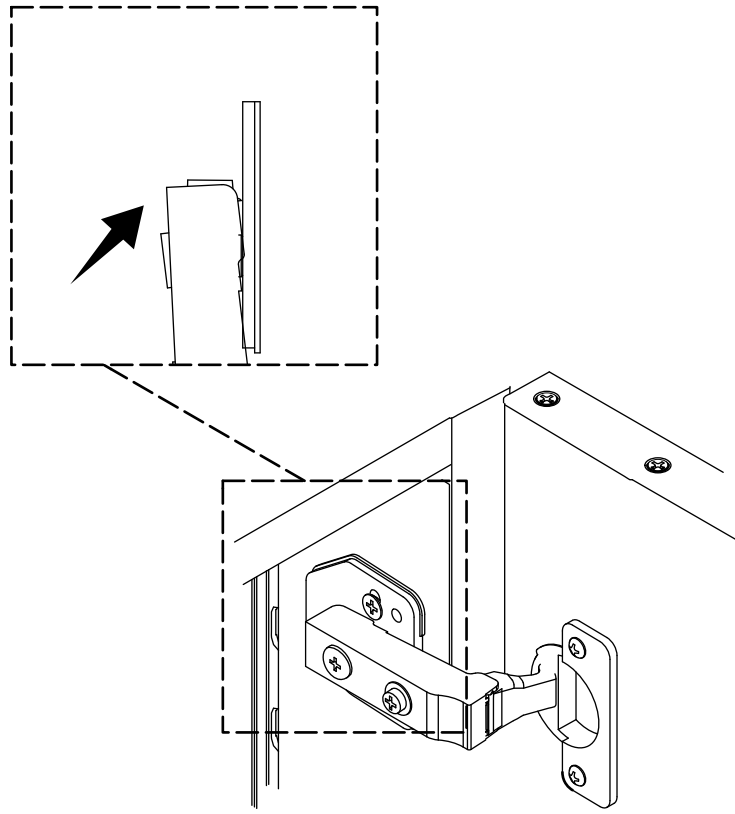
**⚠ AVERTISSEMENT : Risque de choc électrique.** Débrancher l'alimentation électrique avant d'exécuter les procédures suivantes.

**AVIS :** Un électricien qualifié doit installer le circuit de 120 V c.a., 15 A, Classe A, protégé par un dispositif GFCI\*.

- Connecter les fils d'alimentation électrique aux fils électriques de l'armoire en suivant le schéma de câblage.
- Réinstaller le couvercle du boîtier électrique sur le boîtier électrique. Fixer en place avec les deux vis en utilisant un tournevis Phillips.

\*Hors de l'Amérique du Nord, ce dispositif peut être connu sous le nom de dispositif à courant résiduel (RCD).

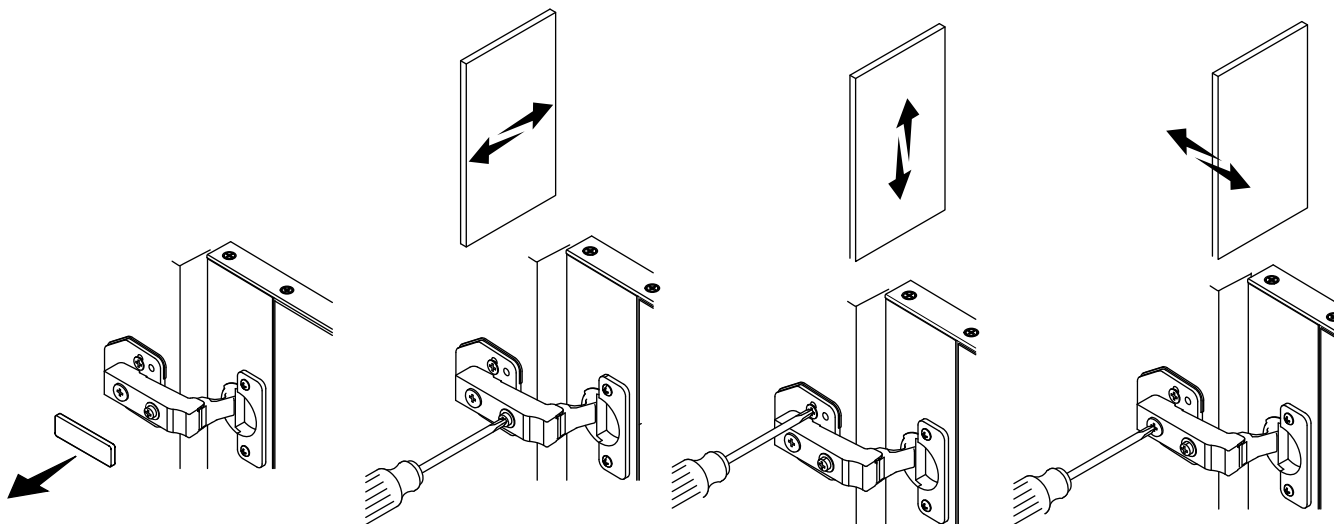
## 11. Installer la porte



**⚠ ATTENTION : Risque de blessures.** Ce produit est lourd. Demander de l'aide pour soulever et déplacer le produit.

- Avec de l'aide, soutenir la porte en position ouverte.
- En commençant par le support supérieur, aligner l'axe des charnières sur la coupelle du support.
- Appuyer sur l'arrière de la charnière pour enclencher le loquet sur le support.
- Répéter la procédure pour la charnière inférieure.
- Ouvrir et fermer la porte pour vérifier qu'elle fonctionne correctement.

## 12. Ajuster la porte



**REMARQUE :** Les charnières peuvent être ajustées pour assurer une fonctionnalité et un alignement appropriés de la porte.

- Retirer le couvercle de la charnière pour accéder aux vis de réglage.

### Ajustement gauche/droite

- Serrer ou desserrer la vis avant pour ajuster la porte horizontalement.

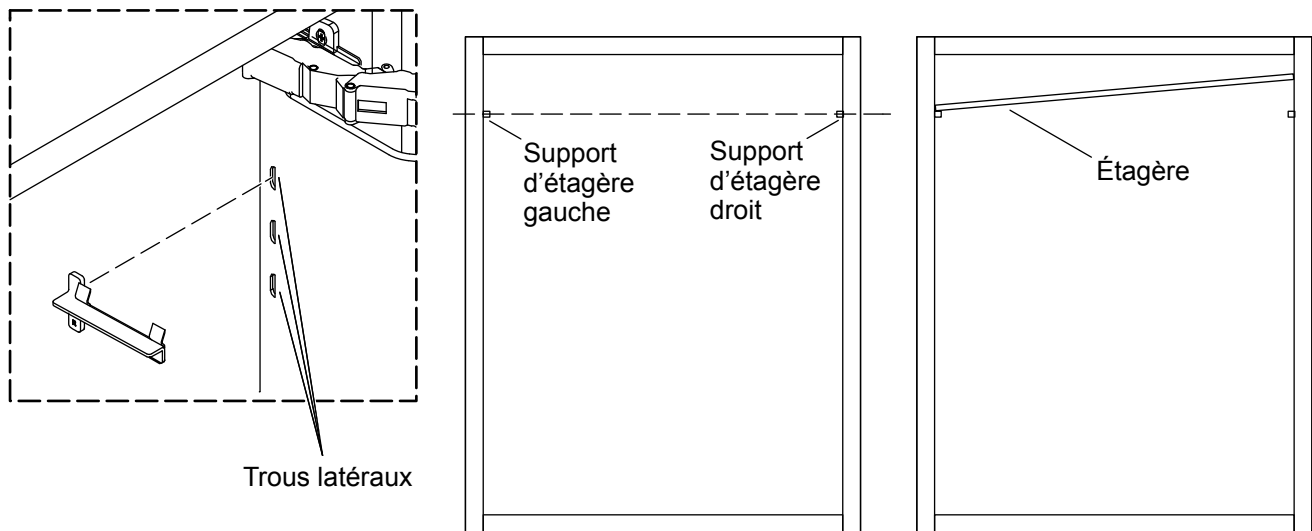
### Ajustement vers le haut/vers le bas

- Desserrer les deux vis qui maintiennent la charnière sur l'armoire. Ajuster la hauteur de la porte et serrer les vis pour fixer la porte à la position souhaitée.

### Ajustement vers l'avant/vers l'arrière

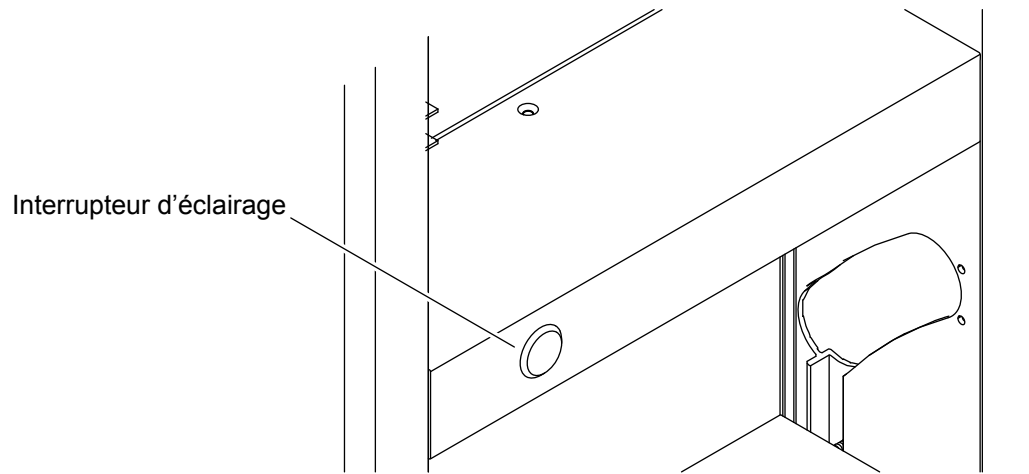
- Serrer ou desserrer la vis arrière pour ajuster la profondeur de la porte.

## 13. Installer les étagères



**⚠ ATTENTION : Risque de dommages matériels.** Charge d'étagère maximale : 12,1 lb (5,5 kg).

- Insérer les supports de gauche et de droite de l'étagère dans les trous latéraux.
- Vérifier que les supports de l'étagère sont alignés sur les deux côtés de l'armoire.
- Positionner une extrémité de l'étagère sur le support de l'étagère, puis enfoncer l'autre extrémité de l'armoire sur le support d'étagère du côté opposé.



- Appuyer sur l'interrupteur d'éclairage pour mettre l'éclairage en marche.
- Appuyer sur l'interrupteur d'éclairage pour éteindre l'éclairage.

# Instrucciones de instalación

## Botiquín lateral tipo vitrina

### Gracias por elegir productos KOHLER

---

¿Necesita ayuda? Comuníquese con nuestro Centro de Atención al Cliente.

- EE. UU./Canadá: 1-800-4KOHLER (1-800-456-4537) México: 001-800-456-4537
- **Piezas de repuesto:** [kohler.com/serviceparts](http://kohler.com/serviceparts)
- **Cuidado y limpieza:** [kohler.com/clean](http://kohler.com/clean)
- **Patentes:** [kohlercompany.com/patents](http://kohlercompany.com/patents)

### Garantía






---

A este producto lo cubre la **garantía limitada de un año de KOHLER®**, que se puede consultar en [kohler.com/warranty](http://kohler.com/warranty). Si lo desea, solicite al Centro de Atención al Cliente una copia impresa de los términos de la garantía.

### IMPORTANTES INSTRUCCIONES DE SEGURIDAD

---

Lea todas las instrucciones antes de instalar o de usar este producto.

-  **AVISO:** Al usar aparatos eléctricos siempre cumpla las precauciones básicas, como las siguientes:
-  **AVISO: Riesgo de sacudidas eléctricas.** Es necesario conectar a tierra los tomacorrientes dentro de caja de empalmes. Conecte solo a un circuito protegido por un interruptor de circuito con pérdida a tierra (GFCI)\* clase A, que proteja contra peligros de sacudida eléctrica de línea a tierra. Utilice un circuito de 120 VCA, 15 A.
-  **AVISO: Riesgo de sacudidas eléctricas.** Un electricista capacitado debe tender todo el cableado eléctrico para el producto. La instalación incorrecta crea riesgo eléctrico, y es posible que no satisfaga los códigos locales eléctricos y de construcción.
-  **AVISO: Riesgo de sacudidas eléctricas.** Desconecte el suministro eléctrico antes de dar servicio.
-  **PRECAUCIÓN: Riesgo de sacudidas eléctricas.** Tal vez sea necesario cambiar el tendido del cableado eléctrico.

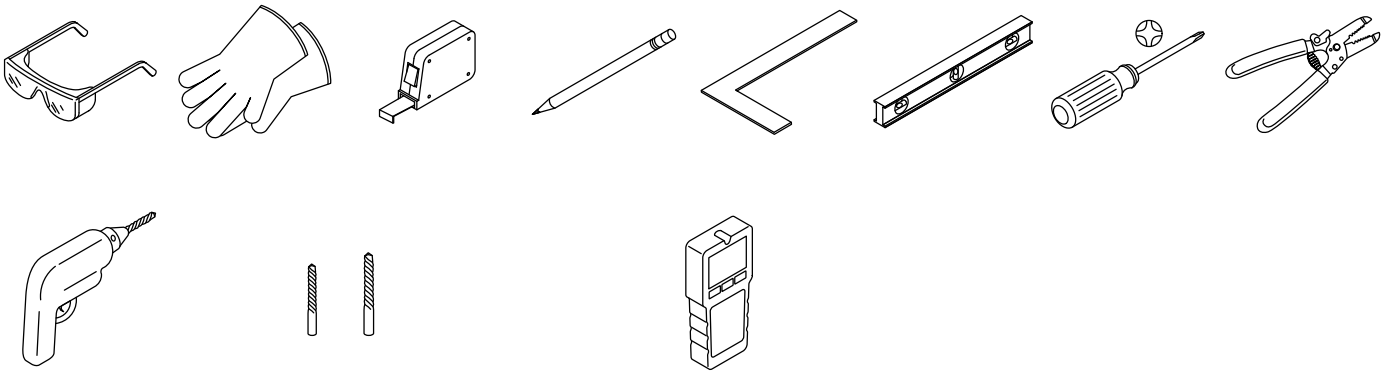
Cumpla todos los códigos locales de plomería, construcción y eléctricos.

\*Fuera de Estados Unidos y Canadá es posible que este se conozca como dispositivo de corriente residual (RCD).

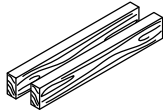
**GUARDE ESTAS INSTRUCCIONES**

## Herramientas y materiales

---



Brocas: 1/8 y 1/4 de pulgada Localizador de postes en la pared








Maderos de 2x4 pulgadas - Solo montaje empotrado

### Más:

- Anclajes de pared
- Herramientas para marcos estructurales y paneles de yeso
- Sujetadores para paneles de yeso y marcos estructurales
- Sierra caladora eléctrica o manual - Solo para montaje empotrado

## Antes de comenzar

---

-  **PRECAUCIÓN: Riesgo de lesiones personales.** Este producto es pesado. Obtenga ayuda para levantar y mover el producto.
-  **PRECAUCIÓN: Riesgo de daños al producto o a la propiedad.** La ubicación del botiquín es crítica. Verifique que la puerta libre todos los obstáculos (como grifería o unidades de iluminación). Verifique que ninguno de los obstáculos detrás de la pared acabada sufran daños al cortar o al taladrar.
-  **PRECAUCIÓN: Riesgo de ocasionar daños a la propiedad.** Utilice anclajes (no se incluyen) clasificados para el peso de carga de este producto. Consulte las instrucciones del fabricante de los anclajes.
-  **PRECAUCIÓN: Riesgo de ocasionar daños a la propiedad.** Carga máxima de las repisas: 12,1 lb (5,5 kg)
-  **PRECAUCIÓN: Riesgo de ocasionar daños a la propiedad.** Carga máxima del estante de la barra de servicio: 3,3 lb (1,5 kg) por estante.

**¡IMPORTANTE!** Cambie el tendido de los cables eléctricos o la tubería de suministro de agua. Si hay tubos de desagüe o de venteo, o si la pared es de carga, consulte a un profesional antes de continuar.

**AVISO:** Riesgo de daños al producto. Al desinstalar o al volver a instalar la puerta, no la deje soportada por una sola bisagra. Al desinstalar suelte primero la bisagra inferior, y al instalar vuelva a fijar primero la bisagra superior.

Este producto no soporta atenuadores TRIAC (triodo para corriente alterna).

Este botiquín es adecuado para instalaciones empotradas o de montaje en superficie. Siga las instrucciones correspondientes a la instalación que usted elija.

Es posible que su producto parezca distinto al ilustrado. El procedimiento de instalación es el mismo.

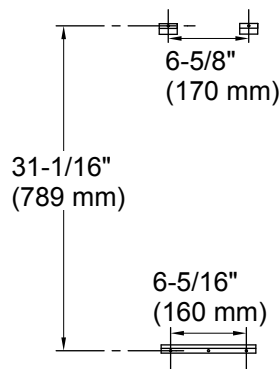
Se requieren 2 personas para hacer esta instalación.

Al determinar la altura del producto, verifique que las puertas libren todos los obstáculos (como grifería o unidades de iluminación). Se requiere una distancia mínima de 3" (76 mm).

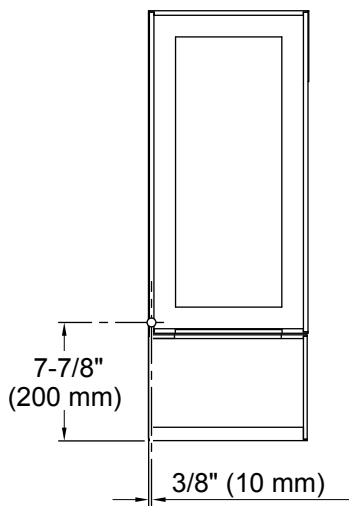


# Diagrama de instalación

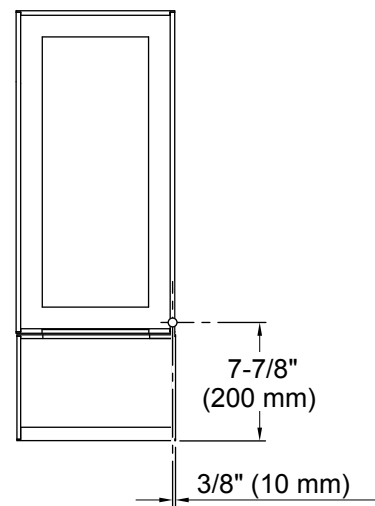
## Ubicación de los orificios de montaje - Instalación de montaje en superficie



## Ubicación de los orificios para cableado



**PUERTA ABRE HACIA LA DERECHA.**



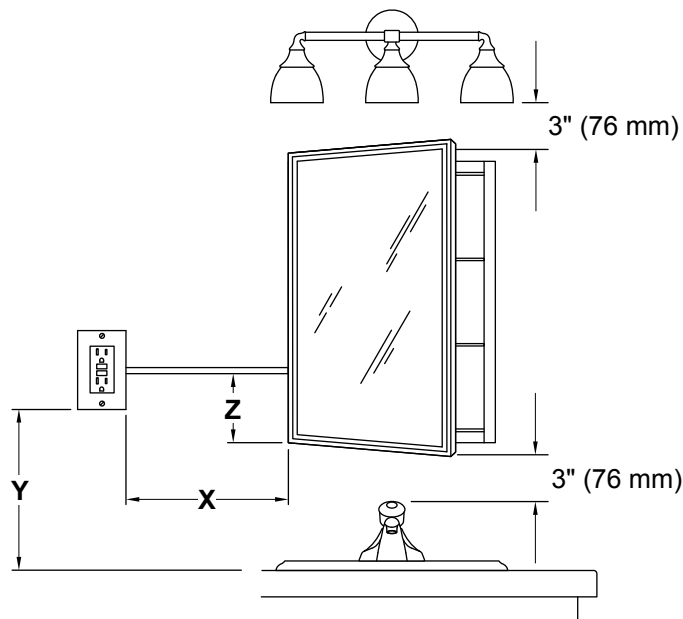
**PUERTA ABRE HACIA LA IZQUIERDA.**

En instalaciones de montaje en superficie, el lugar para el orificio para cableado es el lado sin bisagras. El centro del orificio para el cableado debe estar a 3/8" (10 mm) del lado lateral del botiquín. Taladre un orificio de 3/4" (19 mm) en la pared para los cables eléctricos.

En instalaciones de montaje empotrado, los cables eléctricos deben entrar al botiquín por el lugar indicado. El cableado eléctrico puede ser tendido por detrás del botiquín o a lo largo de la parte superior o lateral del mismo.

# 1. Prepare el sitio

ES



**⚠ AVISO: Riesgo de sacudidas eléctricas.** Desconecte el suministro eléctrico antes de realizar los siguientes procedimientos.

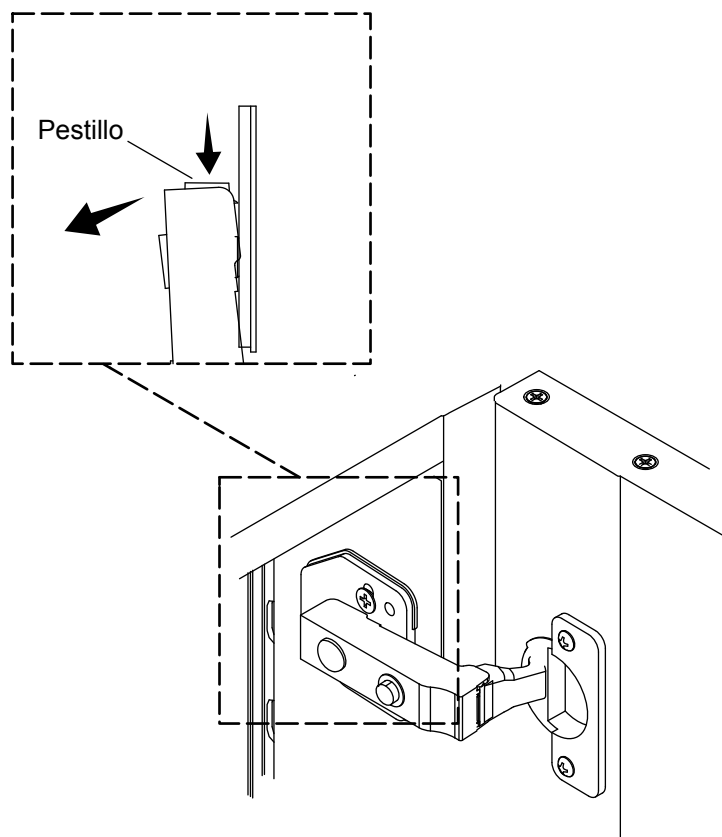
**⚠ AVISO: Riesgo de sacudidas eléctricas.** Un electricista capacitado debe tender todo el cableado eléctrico.

**¡IMPORTANTE!** Utilice anclajes (no se incluyen) clasificados para el peso de carga de este producto. Consulte las instrucciones del fabricante de los anclajes.

- Al determinar la altura del producto, verifique que la puerta libre todos los obstáculos (como griferías o unidades de iluminación). Deje una distancia mínima de 3" (76 mm).
- Identifique y marque lugares donde haya postes de madera.
- Mida y marque los lugares de los orificios de montaje para los soportes de suspensión inferiores y los clips de retención superiores, de acuerdo a la sección "Diagrama de instalación".
- Determine la ubicación de los orificios para los cables eléctricos de acuerdo a las dimensiones que se indican en la sección "Diagrama de instalación".
- Los lugares de los orificios de cableado para botiquines de montaje en superficie están en el lado sin bisagras.
- Taladre un orificio de 3/4" (19 mm) en la pared para los cables eléctricos.
- Tienda los cables de suministro eléctrico a través del orificio en la pared acabada.

X	Y	Z
Menos de 36" (914 mm)	Más de 1" (25 mm)	7-7/8" (200 mm)

## 2. Retire la puerta



**⚠ PRECAUCIÓN: Riesgo de lesiones personales.** Este producto es pesado. Obtenga ayuda para levantar y mover el producto.

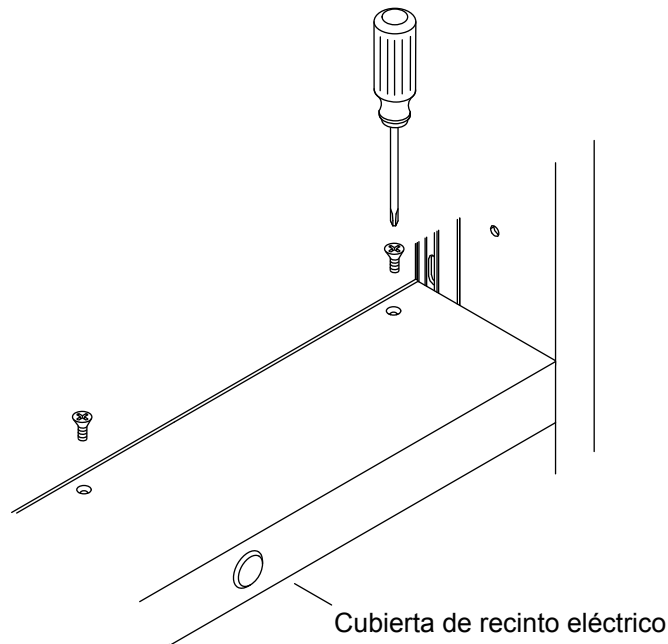
**NOTA:** Las puertas de los botiquines pueden ser desmontadas para facilitar la instalación de múltiples botiquines y en instalaciones empotradas.

- Con ayuda, sostenga la puerta en la posición abierta.
- Comenzando con la bisagra inferior, oprima el pasador del extremo de la bisagra para soltar el pasador de la ménsula.
- Repita este procedimiento con la bisagra superior.
- Mueva la puerta hacia adelante para deslizar las bisagras y sacarlas de las ménsulas.
- Con cuidado coloque la puerta sobre una superficie acolchinada.

### 3. Retire la cubierta del recinto eléctrico

---

ES



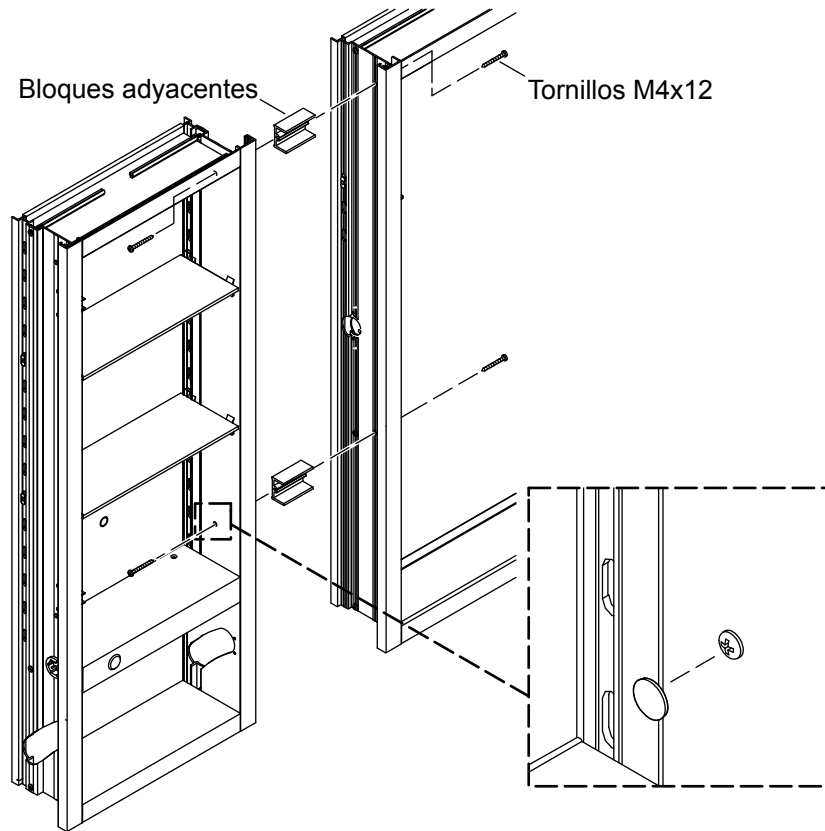
**⚠ PRECAUCIÓN: Riesgo de lesiones personales.** Este producto es pesado. Obtenga ayuda para levantar y mover el producto.

**NOTA:** Todo el cableado eléctrico debe terminarse dentro del recinto eléctrico.

**NOTA:** Antes de hacer la instalación, retire la cubierta del recinto eléctrico para poder introducir el cableado eléctrico al botiquín. Instale la cubierta del recinto eléctrico después de conectar los cables de suministro eléctrico.

- Saque los 2 tornillos superiores de la cubierta del recinto eléctrico con un destornillador Phillips. Levante la cubierta y colóquela a un lado.

## 4. Agrupamiento (solo botiquines múltiples)



**⚠ PRECAUCIÓN: Riesgo de lesiones personales.** Este producto es pesado. Obtenga ayuda para levantar y mover el producto.

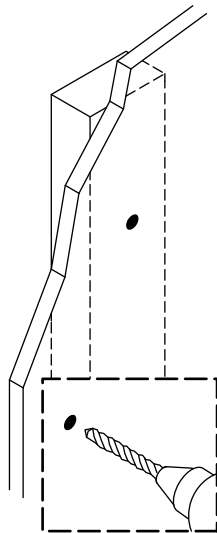
**NOTA:** Si va a instalar múltiples botiquines, instálelos uno a la vez, agrupándolos juntos, uno a uno, a medida que los instala.

- Comience con el primer botiquín y una, con los tornillos que se incluyen, 2 de los bloques conectores a un lado de este botiquín.
- Coloque el segundo botiquín junto al primero.
- Alinee los orificios para tornillos al lado del segundo botiquín con las ranuras en los bloques conectores.
- Si hay cables eléctricos conectados entre botiquines, colóquelos con cuidado a medida que los botiquines estén siendo agrupados. Evite pellizcar los cables eléctricos mientras fija las ménsulas.
- Con los tornillos que se incluyen, fije el segundo botiquín al primer botiquín.
- Oprima los tapapernos que incluimos sobre los tornillos.
- Repita en cada botiquín adicional que vaya agrupando.

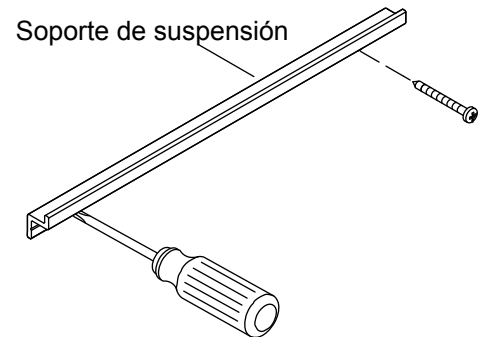
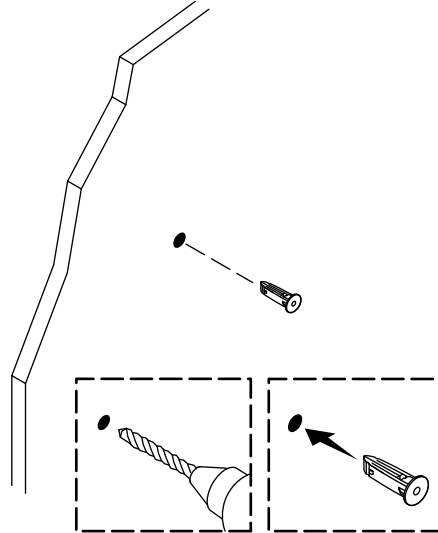
## 5. Instale el soporte de suspensión - Instalación en superficie

ES

Poste de pared o soporte



Panel de yeso o concreto

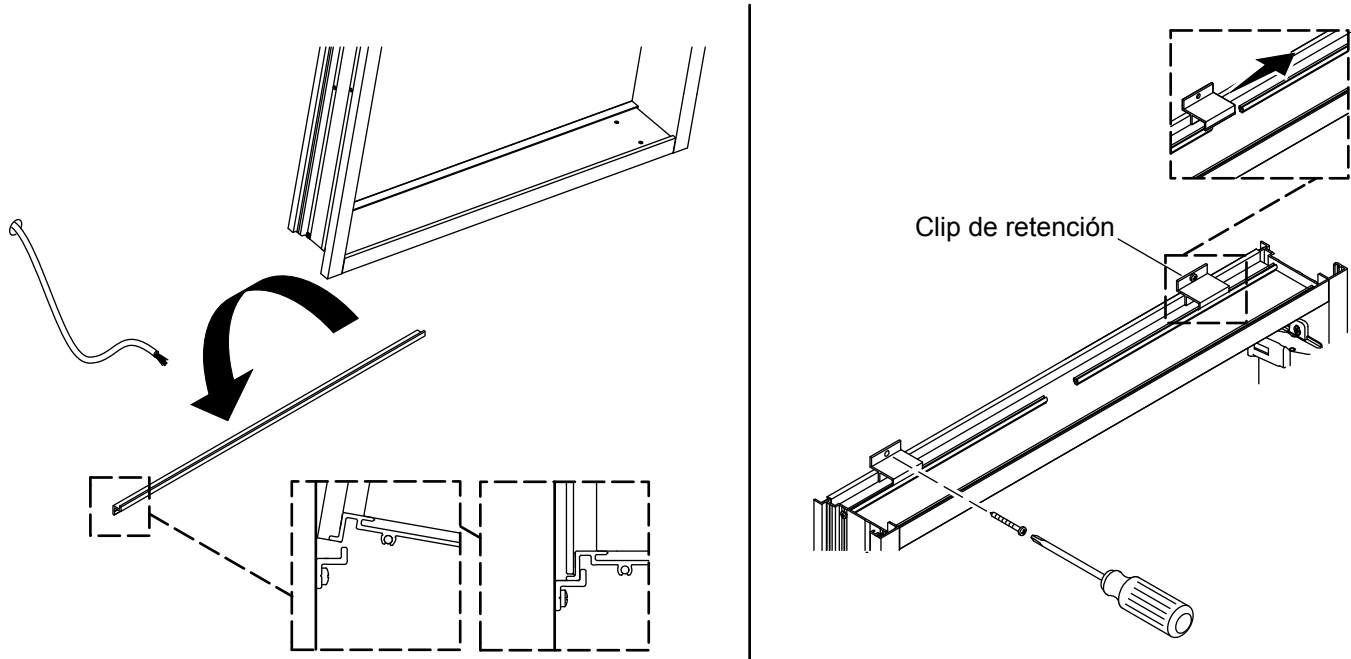


**⚠ PRECAUCIÓN: Riesgo de lesiones personales.** Este producto es pesado. Obtenga ayuda para levantar y mover el producto.

**NOTA:** Las siguientes instrucciones son solo para montaje en superficie. En instalaciones de montaje empotrado, consulte las secciones de "Instalación de montaje empotrado".

- Con ayuda, levante y sostenga el botiquín en su lugar en la pared.
- Coloque el soporte de suspensión inferior en su lugar en la pared abajo del botiquín, centrado con la línea de centros del botiquín.
- Verifique que el botiquín y el soporte de suspensión estén nivelados.
- Con ayuda, coloque el botiquín sobre una superficie acojinada.
- Si los orificios de montaje no han sido marcados, mida y marque los lugares para los orificios de montaje para los soportes de suspensión.
- Si hay un poste de madera en la pared o un soporte en los lugares marcados para los orificios de montaje, taladre orificios guía de 1/8 de pulgada en los lugares marcados para los orificios de montaje.
- En panel de yeso, taladre orificios guía de 1/8 de pulgada en los lugares marcados para los orificios de montaje.
- En paredes de concreto, taladre orificios guía de 1/4 de pulgada en los lugares marcados para los orificios de montaje.
- En paneles de yeso sin un poste de madera, instale los anclajes (no se incluyen).
- En paredes de concreto, instale anclajes (no se incluyen).
- Fije el soporte de suspensión con los tornillos ST3.9x50 (se incluyen).

## 6. Instale el botiquín - Instalación en superficie



**⚠ PRECAUCIÓN: Riesgo de lesiones personales.** Este producto es pesado. Obtenga ayuda para levantar y mover el producto.

**NOTA:** Si va a instalar múltiples botiquines, instálelos uno a la vez, agrupándolos juntos, uno a uno, a medida que los instala. Consulte la sección “Agrupamiento (solo botiquines múltiples)”.

**NOTA:** Las siguientes instrucciones son solo para montaje en superficie. En instalaciones de montaje empotrado, consulte las secciones de “Instalación de montaje empotrado”.

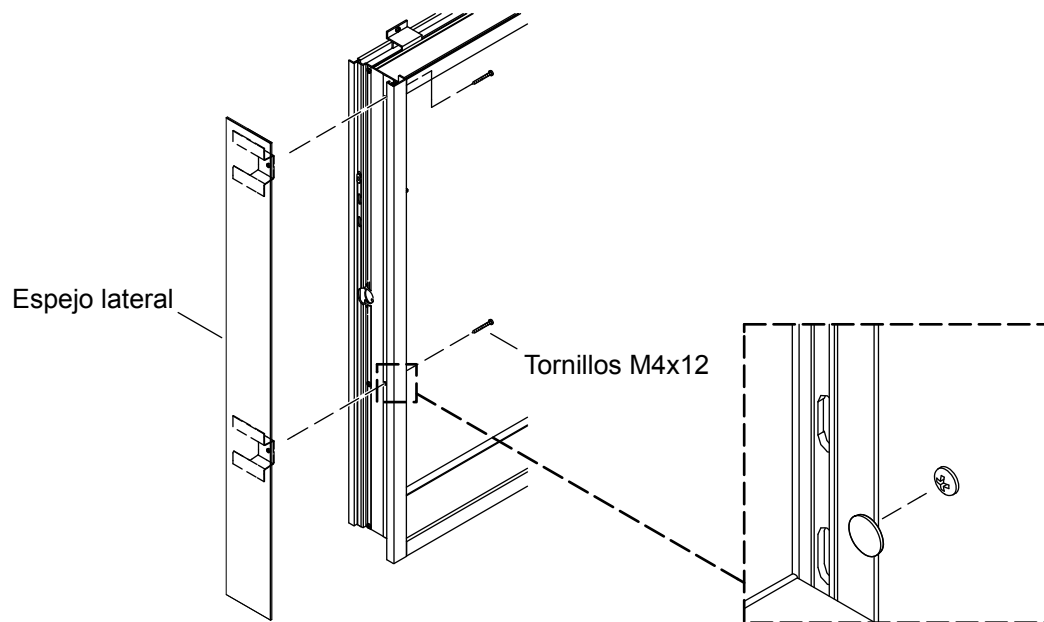
- Con ayuda, levante el botiquín y coloque la parte inferior del mismo en el soporte de suspensión. Verifique que la parte inferior del botiquín enganche en el soporte de suspensión.
- Introduzca los cables de suministro eléctrico a través de la parte posterior del botiquín hacia dentro del orificio lateral del recinto eléctrico. Pase los cables de suministro eléctrico a través del botiquín, de forma que los cables queden colgando frente al botiquín.
- Desde el centro del botiquín introduzca los clips de retención en la canaleta, y coloque un clip de retención a cada lado del botiquín.
- Incline la parte superior del botiquín y sosténgala contra la pared para marcar los orificios de montaje para los clips de retención.
- Si hay un poste de madera en la pared o un soporte en los lugares marcados para los orificios de montaje, taladre orificios guía de 1/8 de pulgada en los lugares marcados para los orificios de montaje.
- En panel de yeso, taladre orificios guía de 1/8 de pulgada en los lugares marcados para los orificios de montaje.
- En paredes de concreto, taladre orificios guía de 1/4 de pulgada en los lugares marcados para los orificios de montaje.
- En paneles de yeso sin un poste de madera, instale los anclajes (no se incluyen).
- En paredes de concreto, instale anclajes (no se incluyen).
- Incline la parte superior de la parte posterior del botiquín contra la pared, y alinee los orificios en los clips de retención con los orificios de montaje.

- Fije los clips de retención con los tornillos ST3.9x50 (se incluyen).
- Si va a instalar múltiples botiquines, consulte la sección “Agrupamiento (solo múltiples botiquines)” para agrupar el siguiente botiquín.

**E  
S**



## 7. Instale los espejos laterales - Instalación de montaje en superficie



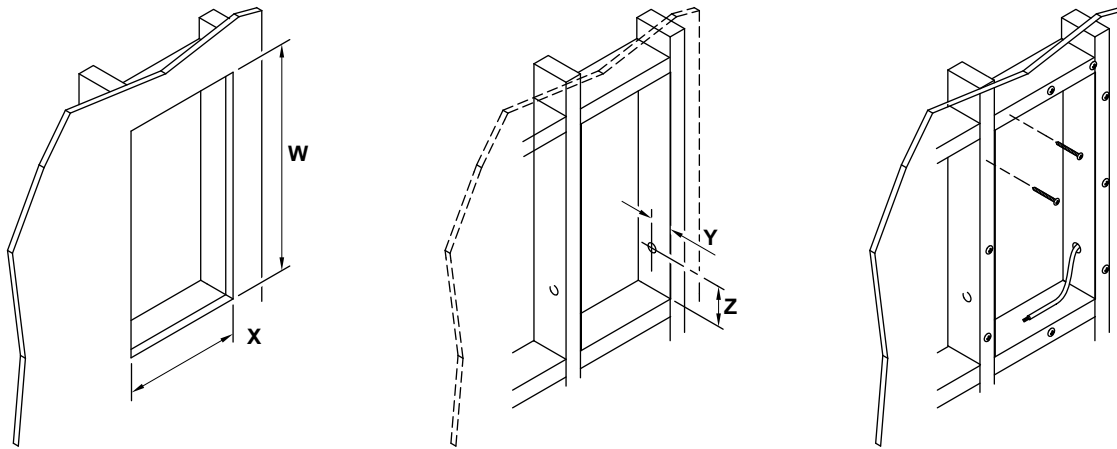
**NOTA:** Las siguientes instrucciones son solo para montaje en superficie. En instalaciones de montaje empotrado, consulte las secciones de "Instalación de montaje empotrado".

**NOTA:** Los espejos laterales tienen una orientación izquierda o derecha.

- Alinee el espejo lateral izquierdo en el lado izquierdo del botiquín.
- Fije con los 2 tornillos M4x12 (se incluyen).
- Alinee el espejo lateral derecho en el lado derecho del botiquín.
- Fije con los 2 tornillos M4x12 (se incluyen).
- Oprima los tapapernos que incluimos sobre los tornillos.

## 8. Construya el marco estructural - Montaje empotrado

ES



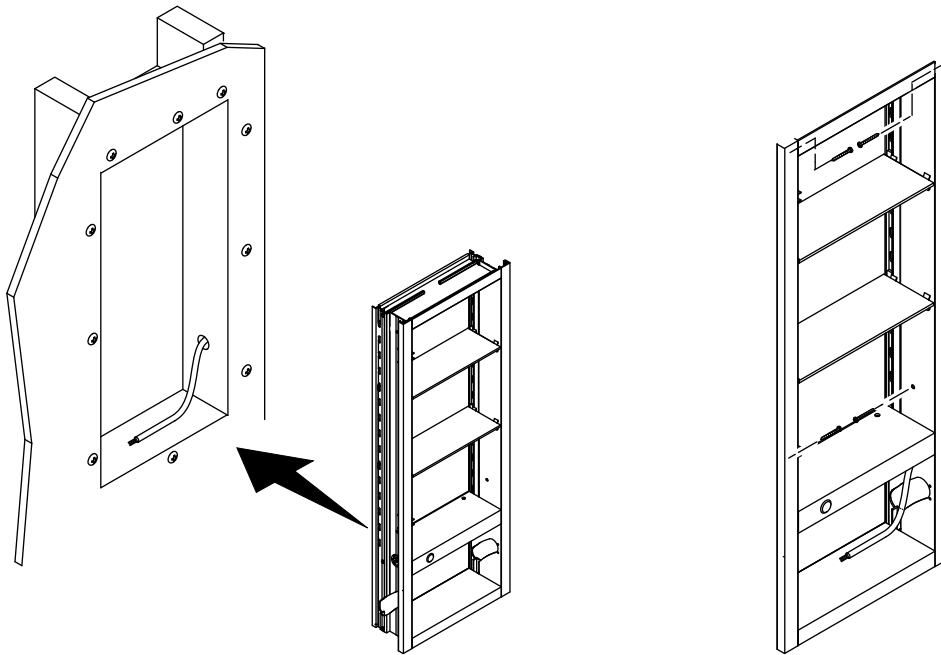
**NOTA:** Las siguientes instrucciones son solo para montaje empotrado. En instalaciones de montaje en superficie, consulte las secciones de "Montaje en superficie".

- Marque la abertura en base a las dimensiones de sus modelos, de acuerdo con la tabla a continuación.
- Con una sierra caladora eléctrica o manual retire con cuidado el material de la pared acabada del lugar marcado para la abertura.
- Determine la ubicación de los orificios para los cables eléctricos de acuerdo a las dimensiones que se indican en la sección "Diagrama de instalación".
- Verifique que haya suficiente cable eléctrico para que llegue hasta la caja de empalmes dentro del botiquín.
- Haga un marco estructural en el perímetro de la cavidad en la pared. De ser necesario, instale un dintel.
- Fije el panel de yeso al marco estructural.

### Tamaño de abertura

Modelo de botiquín	W (altura)	X (ancho)	Y (desde la superficie de la pared)	Z (desde la parte inferior de la abertura)
Botiquín lateral tipo vitrina	30-3/4" (781 mm)	11-5/16" (287 mm)	1" (25 mm)	7-7/16" (189 mm)

## 9. Instale el botiquín - Instalación empotrada



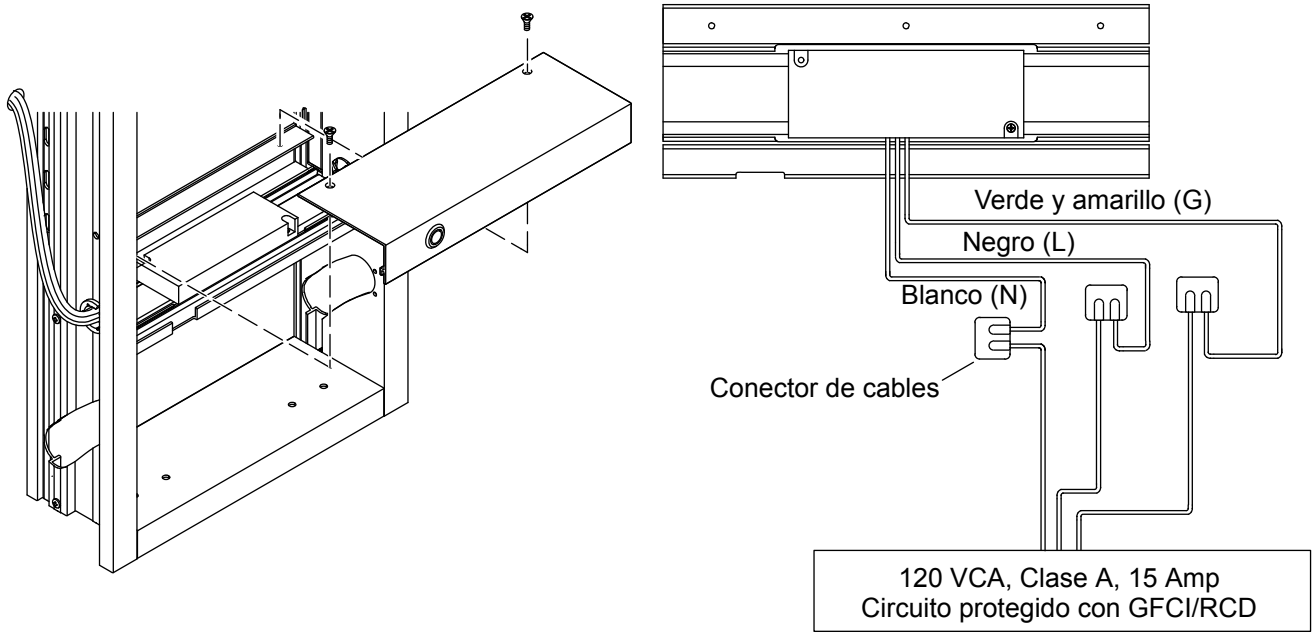
**⚠ PRECAUCIÓN: Riesgo de lesiones personales.** Este producto es pesado. Obtenga ayuda para levantar y mover el producto.

**NOTA:** Las siguientes instrucciones son solo para montaje empotrado. En instalaciones de montaje en superficie, consulte las secciones de "Montaje en superficie".

- Con ayuda, suba y sostenga el botiquín en la abertura recortada.
- Introduzca los cables eléctricos a través de la parte posterior del botiquín en el lugar identificado en la sección "Diagrama de instalación".
- Pase los cables eléctricos a través del orificio lateral del botiquín.
- Fije el botiquín al marco estructural lateral con los 4 tornillos ST3.9X40 (se incluyen).
- Oprima los tapapernos que incluimos sobre los tornillos.

## 10. Conecte los cables de suministro eléctrico

ES



**⚠ AVISO: Riesgo de sacudidas eléctricas.** Todas las conexiones eléctricas debe hacerlas un electricista capacitado.

**⚠ AVISO: Riesgo de sacudidas eléctricas.** Desconecte el suministro eléctrico antes de realizar los siguientes procedimientos.

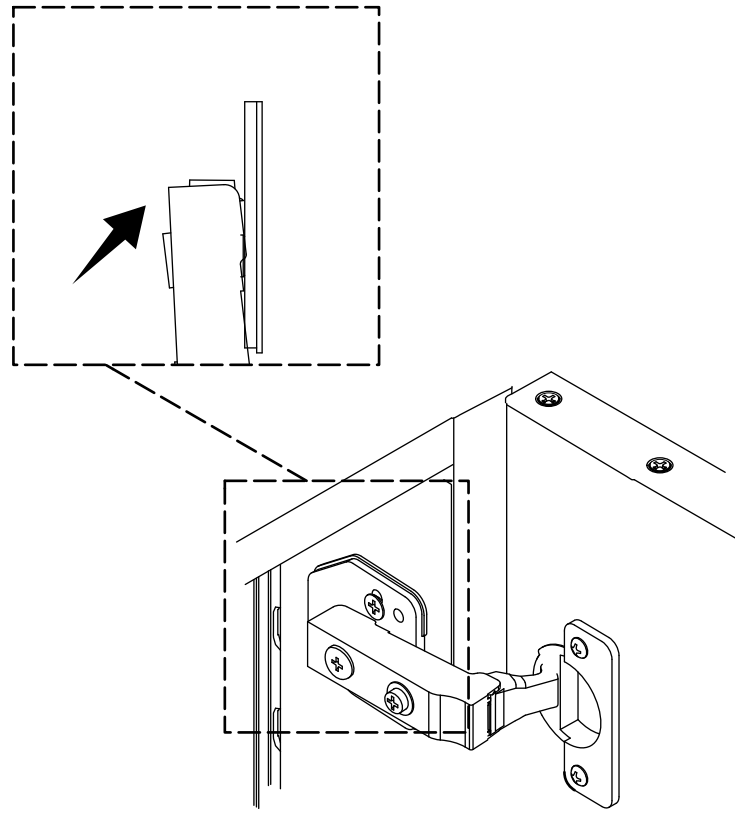
**AVISO:** Un electricista capacitado debe instalar el circuito de 120 VCA, 15 A, Clase A, protegido con GFCI\*.

- Conecte los cables de suministro eléctrico a los cables eléctricos de los botiquines, de acuerdo al diagrama de cableado.
- Vuelva a instalar la cubierta del recinto eléctrico en el recinto eléctrico. Con el destornillador Phillips apriete los 2 tornillos.

\*Fuera de Estados Unidos y Canadá es posible que este se conozca como dispositivo de corriente residual (RCD).

## 11. Instale la puerta

---

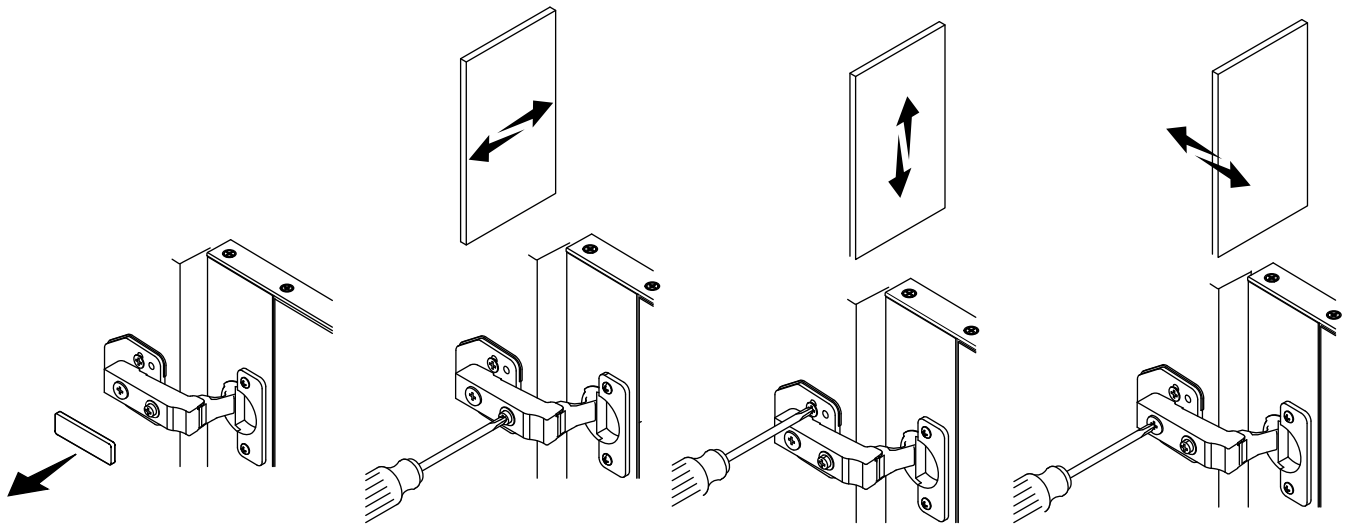


**⚠ PRECAUCIÓN: Riesgo de lesiones personales.** Este producto es pesado. Obtenga ayuda para levantar y mover el producto.

- Con ayuda, sostenga la puerta en la posición abierta.
- Comenzando con la ménsula superior, deje la horquilla de la bisagra alineada con la copa de la ménsula.
- Oprima la parte posterior de la bisagra para que el pasador entre a presión en la ménsula.
- Repita este procedimiento con la bisagra inferior.
- Abra y cierre la puerta para verificar que funcione correctamente.

## 12. Ajuste la puerta

ES



**NOTA:** Es posible ajustar las bisagras para que la puerta quede bien alineada y que funcione bien.

- Retire la cubierta de la bisagra para obtener acceso a los tornillos de ajuste.

### **Ajuste a la izquierda o la derecha**

- Apriete o afloje el tornillo delantero para ajustar la puerta horizontalmente.

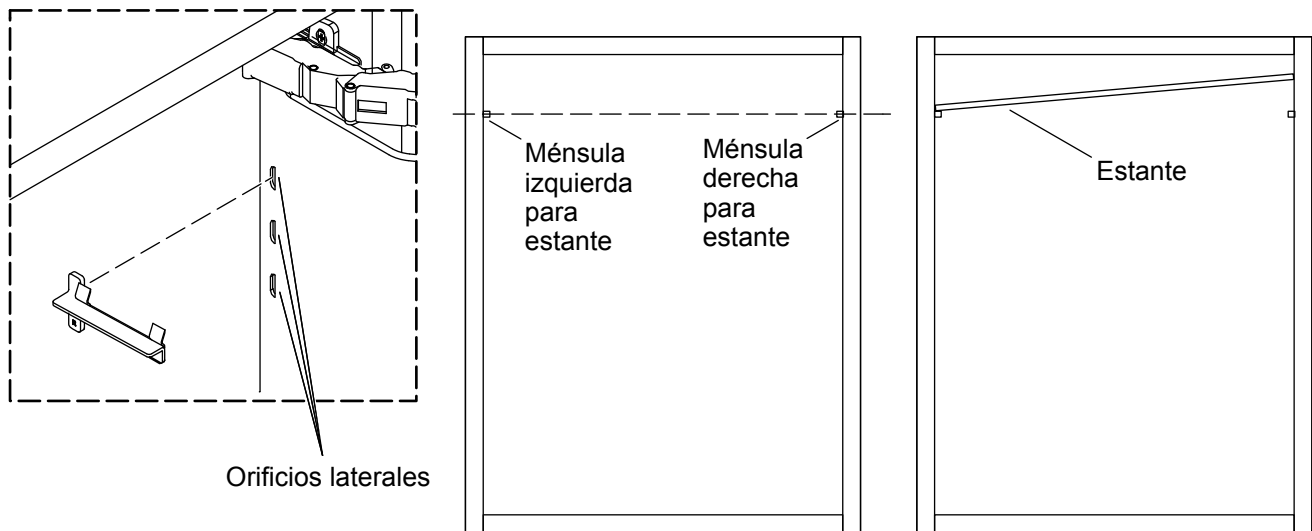
### **Ajuste hacia arriba y hacia abajo**

- Afloje los 2 tornillos que sostienen la bisagra al botiquín. Ajuste la altura de la puerta, y apriete los tornillos para fijar la puerta en la posición deseada.

### **Ajuste hacia adelante o hacia atrás**

- Apriete o afloje el tornillo posterior para ajustar la profundidad de la puerta.

## 13. Instale los estantes



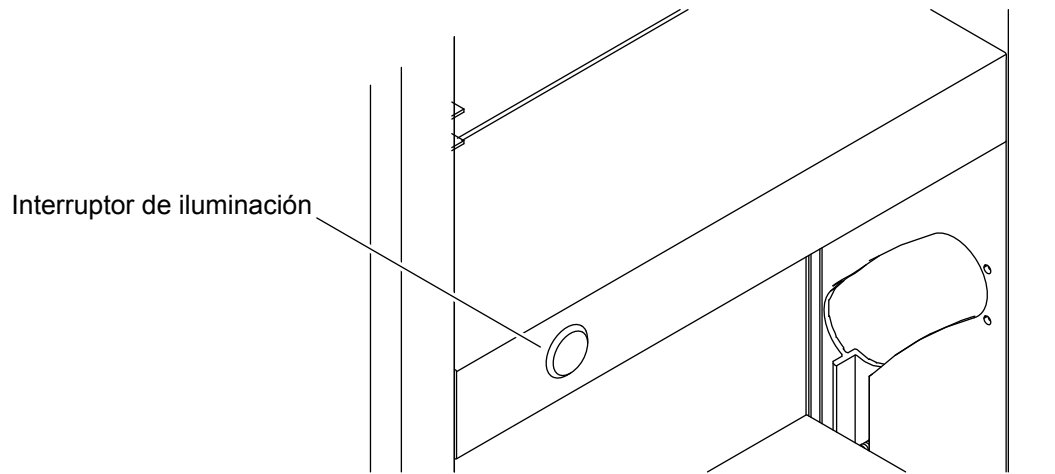
**⚠ PRECAUCIÓN: Riesgo de ocasionar daños a la propiedad.** Carga máxima de las repisas: 12,1 lb (5,5 kg)

- Introduzca las ménsulas izquierda y derecha en los orificios laterales.
- Verifique que las ménsulas de los estantes a ambos lados del botiquín estén alineadas.
- Coloque un extremo del estante en una ménsula para estante, y luego oprima el otro extremo del estante hacia abajo en la ménsula de estante opuesta.

## Funcionamiento de la iluminación

---

ES



- Oprima el interruptor de iluminación para encender la iluminación.
- Oprima el interruptor de iluminación para apagar la iluminación.









[kohler.com](https://www.kohler.com)

THE BOLD LOOK  
OF **KOHLER**®

©2023 Kohler Co.



1558797-2

1558797-2-B