



# PureWarmth™

heated elongated toilet seat  
**K-10349**

## Features

- Heated toilet seat with three adjustable warmth settings: low, medium and high.
- Dual LED lighting offers guiding light when lid is down and task light when lid is lifted.
- Night-light is manually adjustable to two color choices and two brightness levels.
- Compatible with the KOHLER® PureWarmth™ app to adjust seat warmth and lighting brightness to your daily schedule.
- Hidden cord provides a clean look.
- Quiet-Close™ lid closes slowly and quietly without slamming.
- Quick-Release™ hinges allow seat to be unlatched from toilet for easy removal and convenient cleaning; no tools required.
- Grip-Tight bumpers hold seat firmly in place.
- Color-matched plastic hinges.
- Fits most elongated toilets.

## Material

- Plastic.

## Installation

- Requires a dedicated GFCI outlet.
- Installation tool included.

## Included Components

Additional Components:  
Power Cord Included



## Codes/Standards



UL 1431  
CSA C22.2 No. 64  
CSA C22.2 No. 68

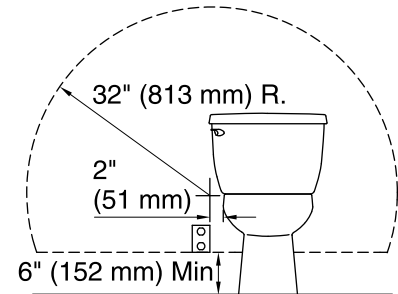
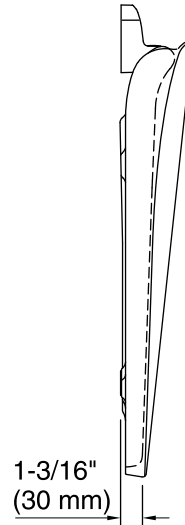
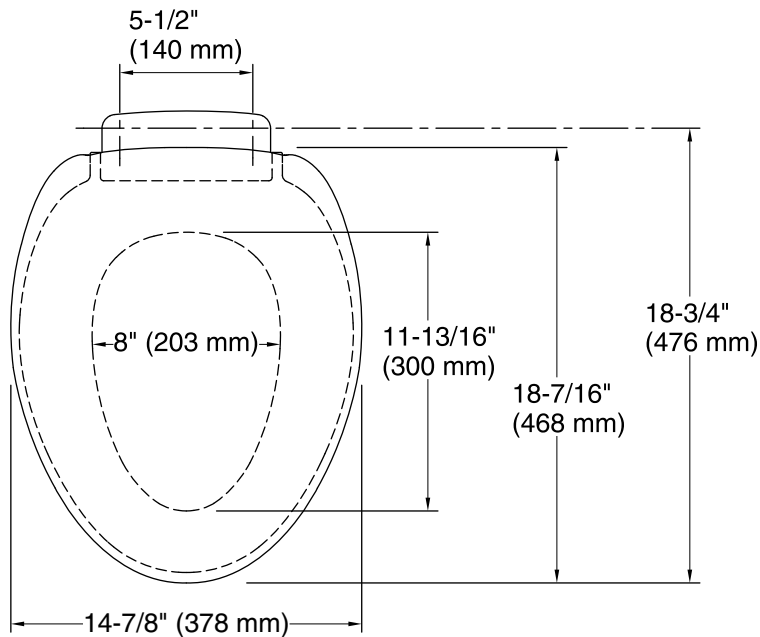
## KOHLER® One-Year Limited Warranty

See website for detailed warranty information.

## Available Colors/Finishes

*Color tiles intended for reference only.*

Color	Code	Description
	0	White
	96	Biscuit



**Electrical Service Detail**

## Required Electrical Service

One circuit required.

120/240 V, 0.6 A, 50/60 Hz

## Technical Information

All product dimensions are nominal.

Seat shape type:	Elongated
Seat front type:	Closed-front
Seat-mounting holes:	5-1/2" (140 mm)
Bluetooth® range:	33 ft (0.8 m)
Bluetooth® version:	4.2
Power cord length:	60" (1524 mm)

## Notes

Install this product according to the installation instructions.

Do not install this seat in a location where: (1) water might be splashed on the product or (2) excessive moisture, high humidity levels, or condensation is present. This will avoid damage to the electronic components.

Do not use an extension cord with this product.

To avoid possible product malfunction, do not plug in the seat until instructed to do so.

Locate the receptacle at least 6" (152 mm) above the floor, and within a 32" (813 mm) radius measured 2" (51 mm) from the bowl ledge.