



# Underscore® Rectangle

66" x 36" heated whirlpool bath w/ reversible drain

**K-1173-JH**

## Features

- Eight Flexjet® hydromassage jets can be individually adjusted for water flow and direction.
- Variable-speed pump for adjusting hydromassage intensity.
- Built-in heater.
- Slotted overflow allows for deep soaking.
- Spacious design accommodates up to two bathers.
- Integral lumbar support.
- Textured bottom surface.

## Material

- Acrylic.

## Installation

- Drop-in or undermount.
- Reversible drain.

## Required Products/Accessories

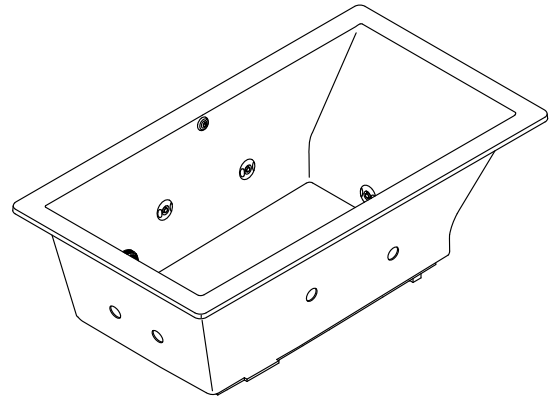
K-7271 Brass Slotted Overflow Bath Drain  
K-9698 Flexjet® Whirlpool Trim Kit

or

K-7272 PVC Slotted Overflow Bath Drain  
K-9698 Flexjet® Whirlpool Trim Kit

## Recommended Products/Accessories

K-1491 Bath/Whirlpool Pillow  
K-1601 Bath/whirlpool footstop, removable  
K-9497 2-1/2" Keypad Trim  
K-24916 Wireless Music Kit



## Codes/Standards

ASME A112.19.7/CSA B45.10  
CSA B45.5/IAPMO Z124  
ASTM E162  
ASTM E662  
UL 1795  
CSA C22.2 No. 218.2

## KOHLER® Plastic Baths and Receptors Lifetime Limited Warranty KOHLER® Hydrotherapy Components Five-Year Limited Warranty

See website for detailed warranty information.

## Available Colors/Finishes

*Color tiles intended for reference only.*

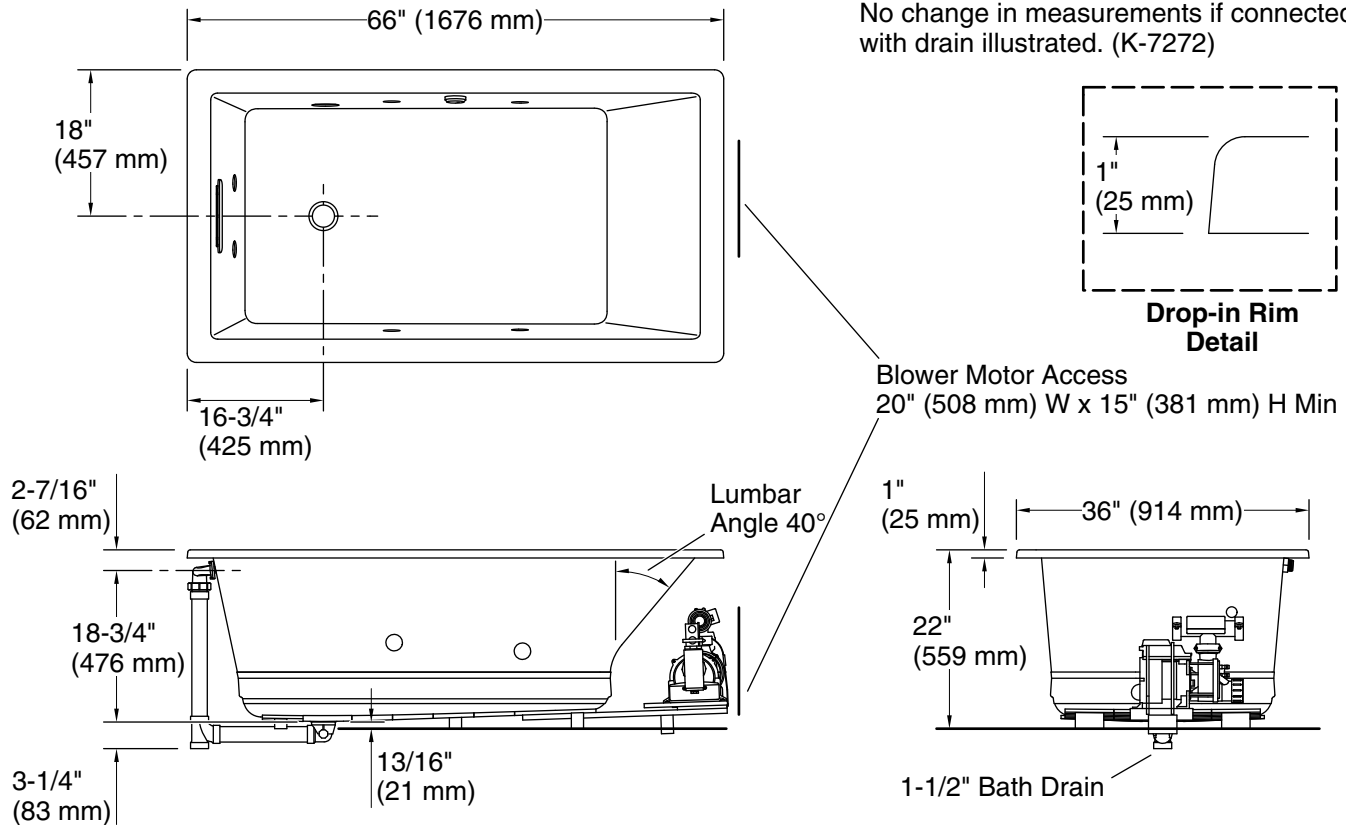
Color	Code	Description
	0	White
	96	Biscuit
	NY	Dune
	95	Ice™ Grey
	58	Thunder™ Grey
	7	Black Black™



# Underscore® Rectangle

66" x 36" heated whirlpool bath w/ reversible drain

K-1173-JH



No change in measurements if connected with drain illustrated. (K-7272)

### Required Electrical Service

Two dedicated circuits required, protected with Class A Ground-Fault Circuit-Interrupter (GFCI). Outside North America, this device may be known as a Residual Current Device (RCD).

Pump: 120 V, 15 A, 60 Hz  
 Heater: 120 V, 15 A, 60 Hz

### Technical Information

All product dimensions are nominal.

Installation: Drop-in, Undermount  
 Drain location: End  
 Basin area, bottom: 44-1/2" x 26-7/16" (1130 mm x 671 mm)  
 Basin area, top: 60-1/4" x 30-1/4" (1530 mm x 769 mm)  
 Weight: 125 lbs (56.7 kg)  
 Minimum floor load: 61 lbs/ft<sup>2</sup> (297.8 kg/m<sup>2</sup>)  
 Water depth: 17-3/4" (450 mm)  
 Water capacity: 100.4 gal (380.1 L)  
 Cutout: Drop-in, 65" x 35" (1651 mm x 889 mm)  
 Electrical component rating: Pump: 120 V, 7 A, 60 Hz  
 Heater: 120 V, 12 A, 60 Hz

### Notes

Measure your actual product for rough-in details.

Install this product according to the installation instructions.

The hot water supply should be 70% of the capacity of the bath or greater. Installations will vary.