

Features

- Single-function Rain showerhead
- MasterClean™ spray nozzles prohibit mineral buildup for easy cleaning
- Katalyst™ Spray Technology with air induction ball joint (patent pending)
- Optimized sprayface for maximum performance
- Solid brass construction
- 2.5 gallon (9.5 L) per minute flow rate
- 1/2" - 14 NPT connection



Codes/Standards

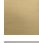
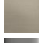

ASME A112.18.1/CSA B125.1
DOE - Energy Policy Act 1992

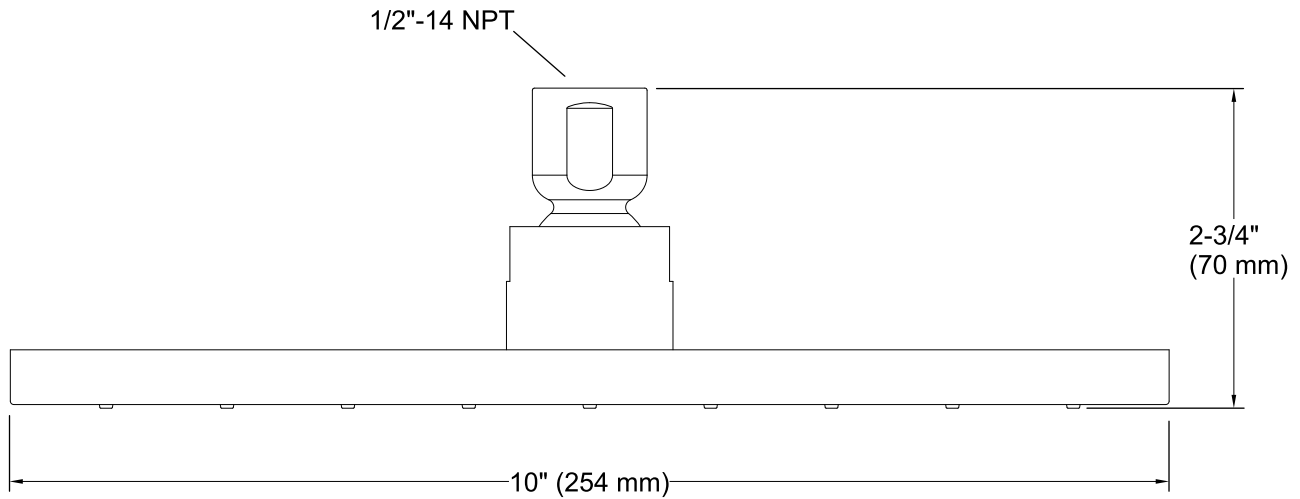
KOHLER® Faucet Lifetime Limited Warranty

See website for detailed warranty information.

Available Colors/Finishes

Color tiles intended for reference only.

| Color | Code | Description |
|--|------|-------------------------------|
|  | CP | Polished Chrome |
|  | SN | Vibrant® Polished Nickel |
|  | BGD | Vibrant® Moderne Brushed Gold |
|  | BN | Vibrant® Brushed Nickel |
|  | BV | Vibrant® Brushed Bronze |
|  | TT | Titanium |



Technical Information

All product dimensions are nominal.

Notes

Install this product in accordance with the installation instructions.