

## Features

- Reversible quarter-turn washerless ceramic disc valves.
- Flexible connections for easy installation.
- Fixture-mount transfer valve/vacuum breaker.
- Vertical spray.
- Pop-up drain with lift rod and tailpiece.
- Available with lever handle.

## Material

- Metal construction.
- Brass valve bodies.



## Codes/Standards

ASME A112.18.1/CSA B125.1  
ASSE 1001

## KOHLER® Faucet Lifetime Limited Warranty

See website for detailed warranty information.

## Available Colors/Finishes

*Color tiles intended for reference only.*

Color	Code	Description
-------	------	-------------



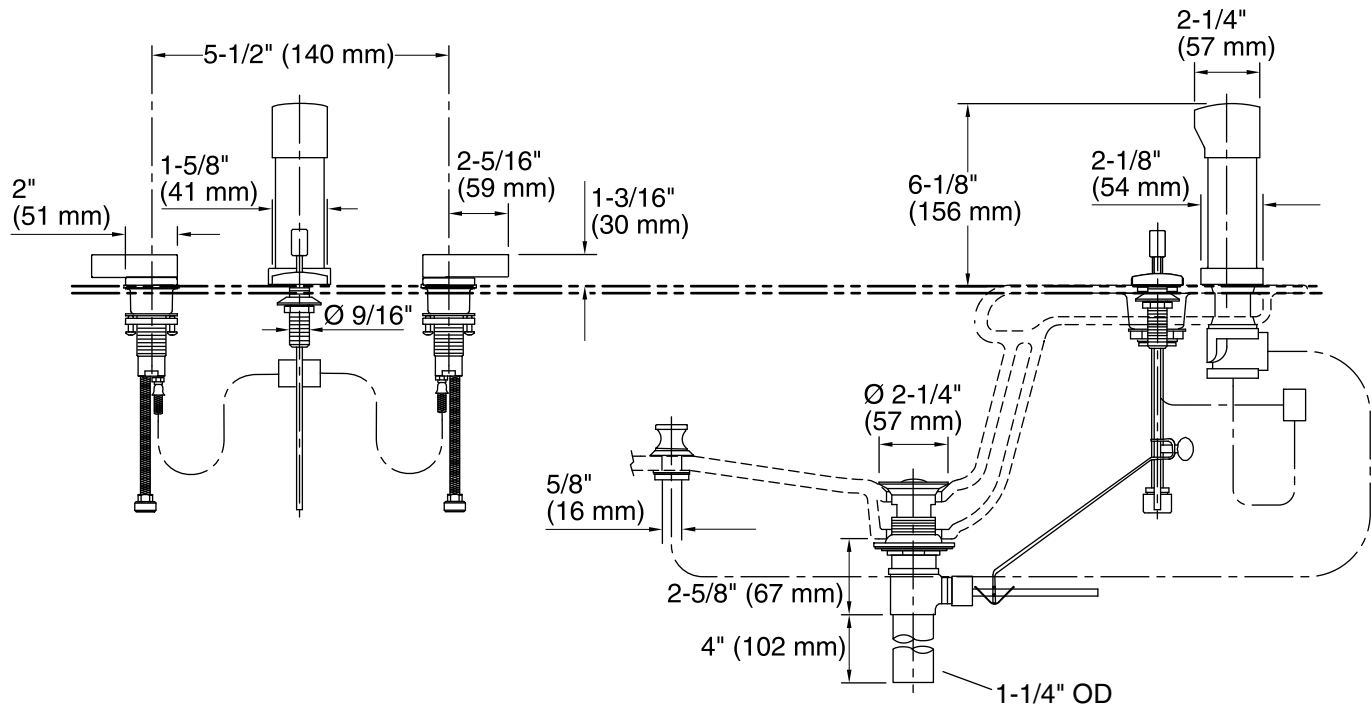
CP Polished Chrome



SN Vibrant® Polished Nickel



BN Vibrant® Brushed Nickel



## Technical Information

All product dimensions are nominal.

## Notes

Install this product according to the installation instructions.