



15/16" Male Aerator K-18026

Features

- Kohler plumbing products mean beautiful form as much as reliable function
- 15/16" male
- .5-gpm vandal-resistant, pressure-compensating spray (non-aerated)
- GPM = Volumetric flow rate in gallons per minute
- This product can help a building earn Water Efficiency points in the LEED Green Building Rating System™. See specification sheet for water use data.

Included Components

Additional Components:

Aerator wrench



Codes/Standards

None Applicable


KOHLER® One-Year Limited Warranty

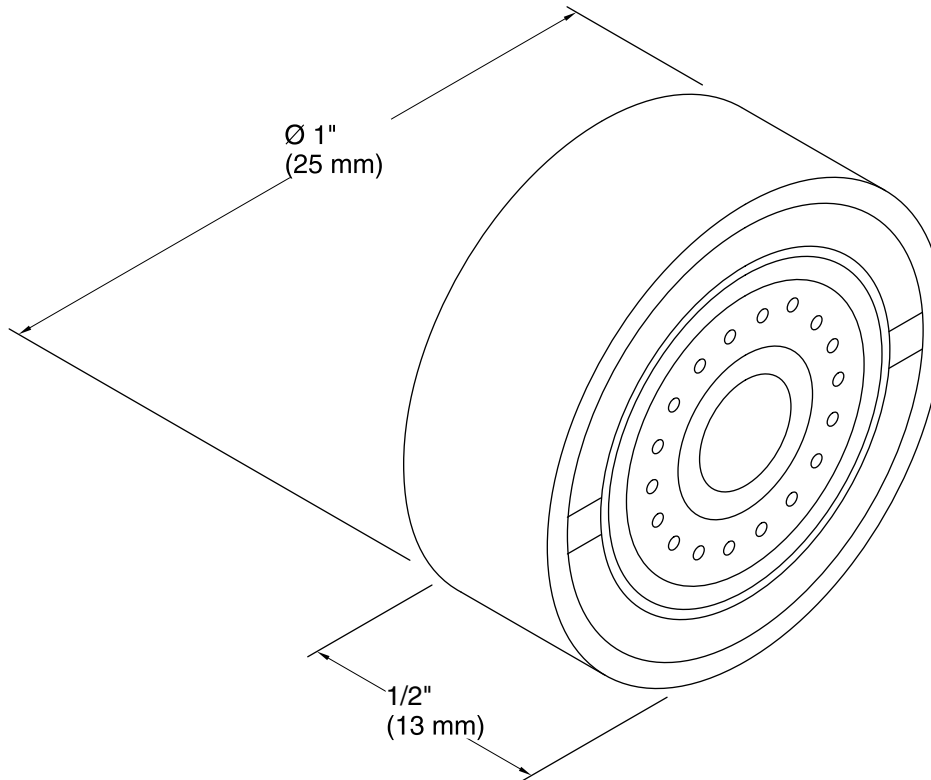
See website for detailed warranty information.

Available Colors/Finishes

Color tiles intended for reference only.

Color	Code	Description
-------	------	-------------

	CP	Polished Chrome
--	----	-----------------



Technical Information

All product dimensions are nominal.

Material: Brass

Notes

Install this product according to the installation guide.