



Farmstead®

Freestanding Kitchen Sink

K-21103-2HP5

Features

- Acid-resistant enamel finish.
- Black underside finish.
- 45-inch-wide single bowl.
- 9-inch depth.
- Two faucet holes at deck center.
- Integral apron and backsplash.
- Includes a walnut cutting board, multipurpose grated rack, utility rack, utility rack with soaking cup, left and right sink racks, and a towel bar.

Material

- KOHLER® enameled cast iron.

Installation

- Top-mount with custom cabinetry, or wall-mount with coordinating K-21104 or K-21105 legs (sold separately).

Recommended Products/Accessories

K-8801 Sink Strainer
K-8799 Sink Strainer
K-21104 contemporary legs
K-21105 transitional legs



Codes/Standards

ASME A112.19.1/CSA B45.2

KOHLER® Enameled Cast Iron Kitchen Sink Lifetime Limited Warranty

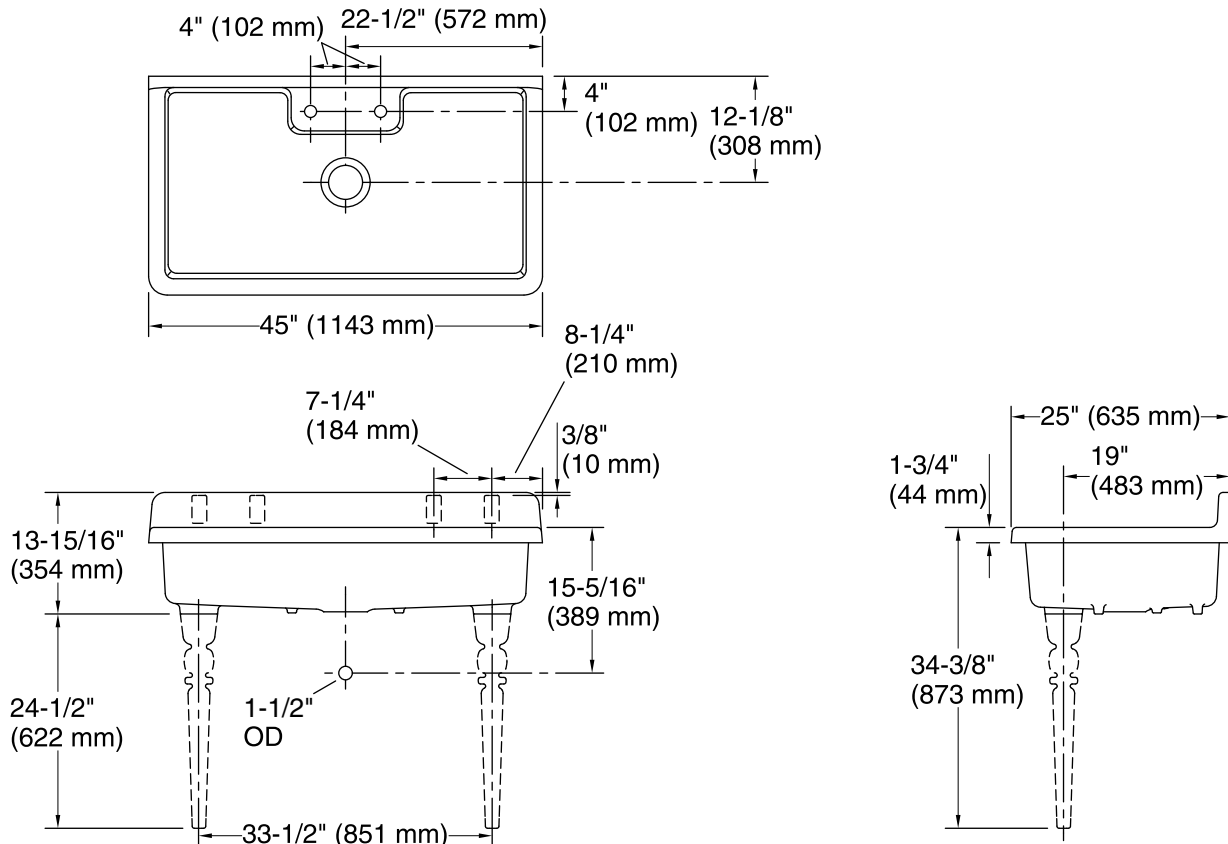
See website for detailed warranty information.

Available Colors/Finishes

Color tiles intended for reference only.

Color	Code	Description
-------	------	-------------

	0	White
--	---	-------



Technical Information

All product dimensions are nominal.

Bowl area (Only): Length: 41-1/4" (1048 mm)
 Width: 21-5/8" (549 mm)
 Bowl depth: 9" (229 mm)
 Water depth: 9" (229 mm)

Number of deck holes: 2

Drain hole: 3-7/8" (98 mm)

Template: 1327839-7, required, included

Notes

Install this product according to the installation instructions.

NOTICE: Countertop manufacturer or cutter must use the cut-out template provided with the product, or a current one provided by Kohler Co. (call 1-800-4-KOHLER). Kohler Co. is not responsible for cutout errors when the incorrect cut-out template is used.