

Features

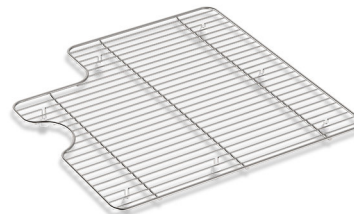
- Fits in the right side of the K-21103 Farmstead kitchen sink.
- Comes included with the K-21103 Farmstead kitchen sink.
- Helps protect sink surface from daily wear.
- Dishwasher safe.
- Rubber feet provide added protection.
- Designed to sit side-by-side with the K-21110 left-hand rack.

Material

- Stainless steel construction.

Recommended Products/Accessories

K-21103-1HP5 Freestanding Kitchen Sink
K-21103-1HW Freestanding Kitchen Sink
K-21103-2HP5 Freestanding Kitchen Sink
K-21103-2HW Freestanding Kitchen Sink
K-21103-3HP5 Freestanding Kitchen Sink
K-21103-3HW Freestanding Kitchen Sink



Codes/Standards

None Applicable


KOHLER® One-Year Limited Warranty

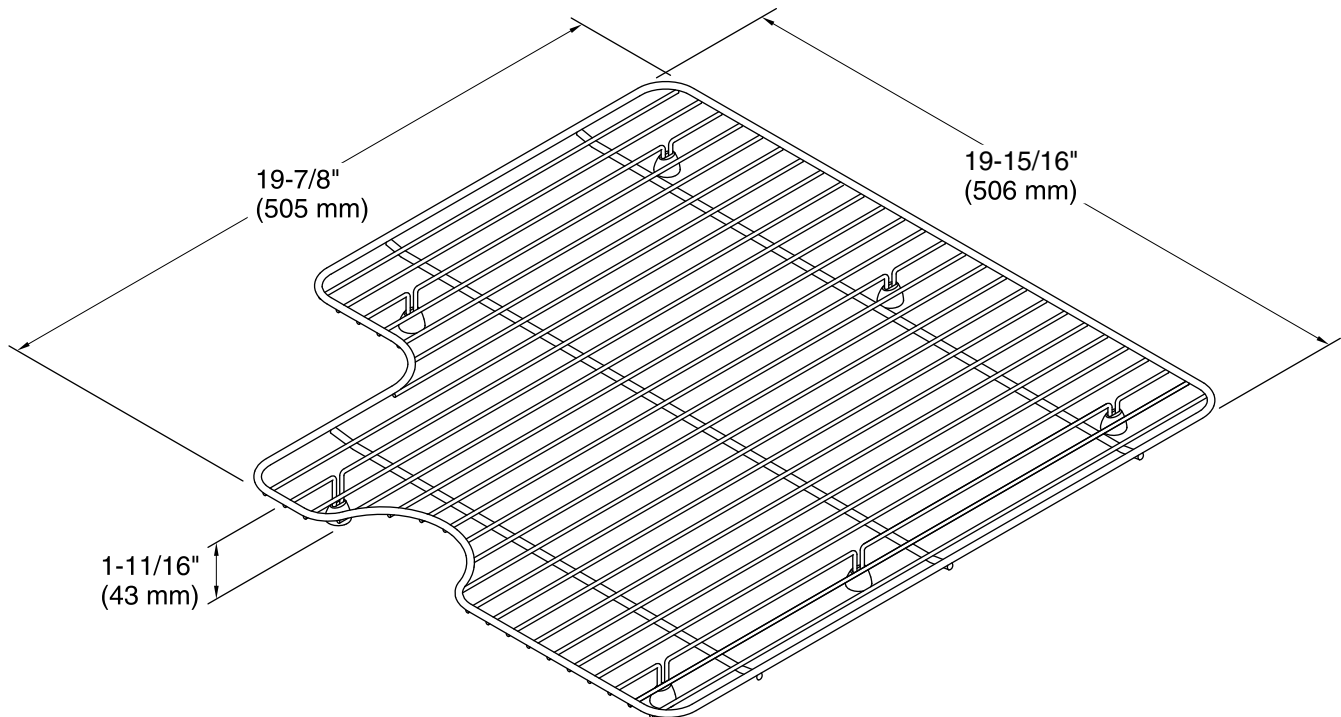
See website for detailed warranty information.

Available Colors/Finishes

Color tiles intended for reference only.

Color	Code	Description
-------	------	-------------

	ST	Stainless Steel
--	----	-----------------



Technical Information

All product dimensions are nominal.

Material: Stainless Steel