

Features

- Two-function pull-out sprayhead with touch-control allows you to switch from aerate to Sweep® Spray.
- Fast flow provides a powerful rise and quickly fills basins and buckets.
- Pullout reach provides maximum access and flexibility in and out of the sink.
- 120-degree spout rotation allows for unobstructed use of the sink.
- MasterClean™ sprayface features an easy-to-clean surface that withstands mineral buildup.
- Ceramic disc valves exceed industry longevity standards, ensuring a leak-free experience.
- Single-handle operation facilitates flow and temperature control.
- Large spray setting button helps easily transition between spray functions.
- 4.0 gpm (gallons per minute) flow rate at 20 psi.

Material

- Premium metal construction.
- KOHLER finishes resist corrosion and tarnishing.

Installation

- Three-hole installation on 4" centers
- Flexible supply lines simplify installation.



Codes/Standards




ASME A112.18.1/CSA B125.1

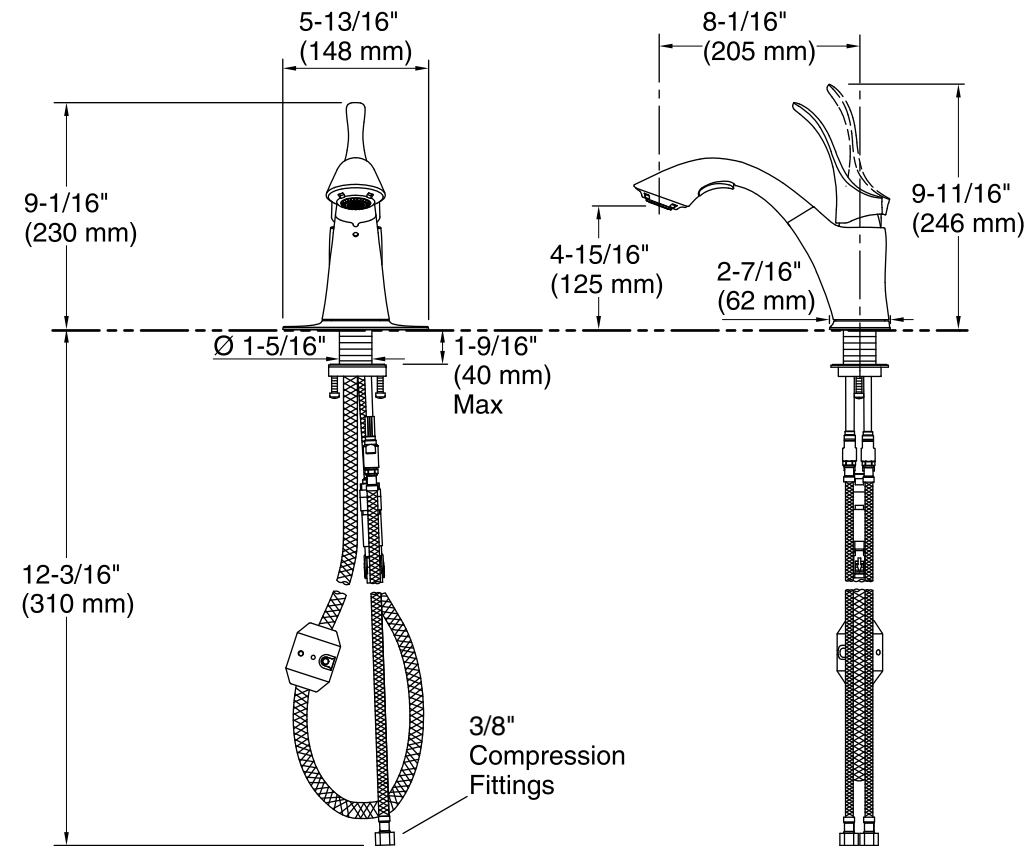
KOHLER® Faucet Lifetime Limited Warranty

See website for detailed warranty information.

Available Colors/Finishes

Color tiles intended for reference only.

| Color | Code | Description |
|--|------|--------------------|
|  | CP | Polished Chrome |
|  | VS | Vibrant® Stainless |
|  | BL | Matte Black |



Technical Information

All product dimensions are nominal.

Notes

Install this product according to the installation instructions.

Faucet contains all necessary parts for both single-hole and three-hole installations.