

### Features

- Performance showering packages offer increased functionality and simplify the ordering process.
- Includes handshower, showerhead, 60" handshower hose, shower arm with diverter, 30" slidebar kit and Purist® Rite-Temp® valve trim.
- Single lever handle provides on/off activation and temperature setting with a single operation.
- Multifunction showerhead with advanced spray engine provides three experiences: full coverage, pulsating massage and silk spray.
- Multifunction handshower with advanced spray engine provides three experiences: full coverage, pulsating massage and silk spray.
- Thumb tab allows for a smooth transition between sprays.
- Shower arm with diverter makes it easy to switch the water flow between showerhead and handshower.
- MasterClean™ sprayface features an easy-to-clean surface that withstands mineral buildup.
- 1.75 gpm (6.6 lpm) flow rate.
- Coordinates with Purist faucets, accessories, and showering components to complete your bathroom.
- Features a nonpositive shutoff: water-saving pause mode to temporarily reduce water flow.

### Material

- KOHLER finishes resist corrosion and tarnishing.

### Installation

- Requires Rite-Temp® pressure-balancing valve (sold separately).

### Recommended Products/Accessories

K-23723 Faucet cleaner



### Codes/Standards



ASME A112.18.1/CSA B125.1  
DOE - Energy Policy Act 1992  
EPA WaterSense®  
California Energy Commission (CEC)

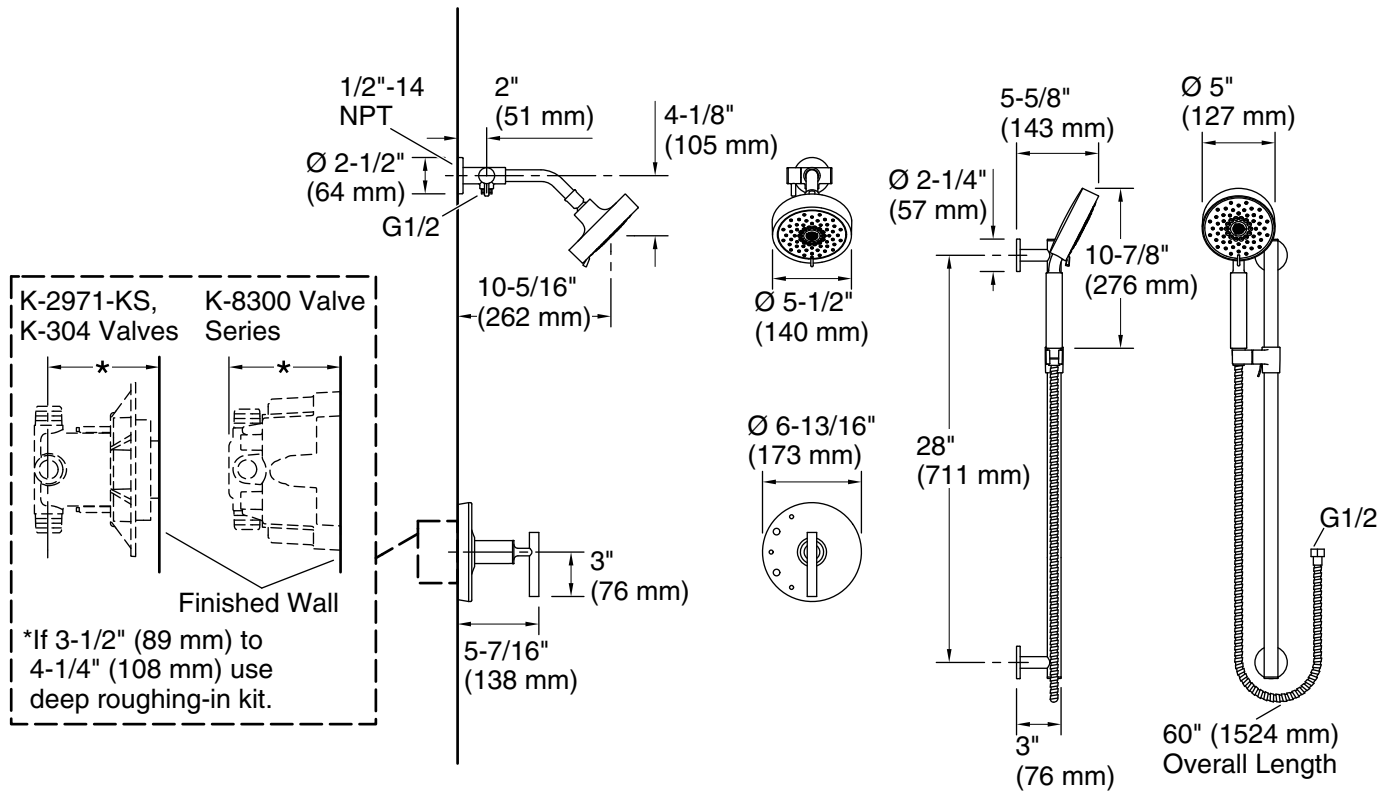
### KOHLER® Faucet Lifetime Limited Warranty

See website for detailed warranty information.

### Available Colors/Finishes

*Color tiles intended for reference only.*

Color	Code	Description
	CP	Polished Chrome
	BN	Vibrant® Brushed Nickel



## Technical Information

All product dimensions are nominal.

Drain included: No

### Handshower:

Rated maximum flow: 1.75 gal/min (6.6 l/min)

Pressure: 45 psi (3.1 bar)

### Showerhead/Body Spray:

Rated maximum flow: 2.5 gal/min (9.5 l/min)

## Notes

Install this product according to the installation instructions.

**IMPORTANT!** The slide bar must be mounted to stud framing supports at both the top and bottom mounting locations. Plastic wall anchors will not support the slide bar. Do not use or depend on plastic wall anchors to attach the slide bar.

Plumbing codes may require that an atmospheric vacuum breaker be installed in-line to handshowers. Consult with local codes.

Install straight pipe or tube drop of 7" (178 mm) to 18" (457 mm) with single elbow between the valve and the wall-mount spout.

**NOTICE:** Risk of product damage. Long screws, for installing trim, can damage the K-2971-KS valve. Consult the trim installation guide to verify if the thin wall installation kit (88526) is needed.