

Features

- Frame functions as a towel rack and a wall-mounted storage system.
- Holds Draft components including trays, containers, hooks, and dishes (sold separately).
- Arrange multiple frames together to expand your wall system.
- Coordinates with other products in the Draft collection.

Material

- Premium metal construction.
- KOHLER finishes resist corrosion and tarnish.

Installation

- Tools and installation template included.



Codes/Standards



None Applicable

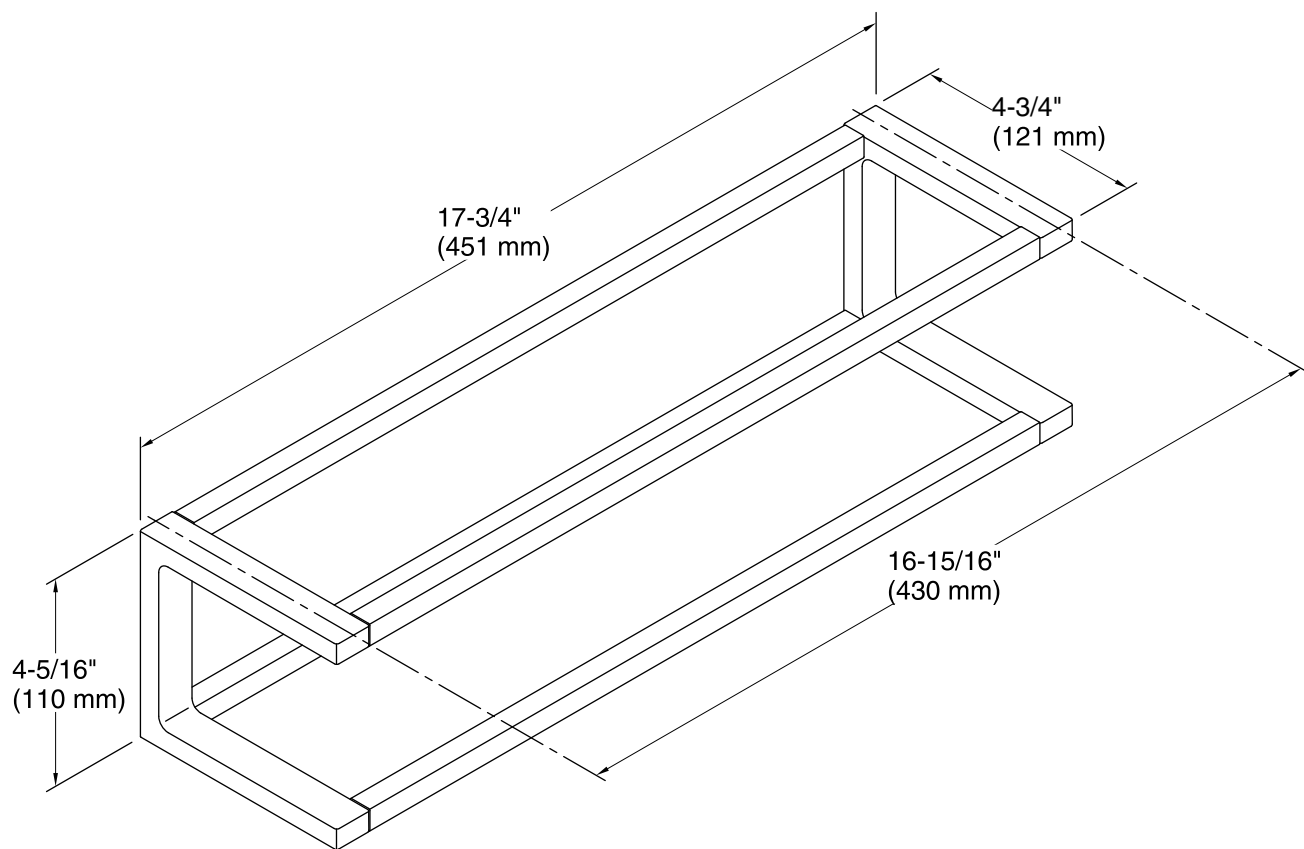
KOHLER® Faucet Lifetime Limited Warranty

See website for detailed warranty information.

Available Colors/Finishes

Color tiles intended for reference only.

Color	Code	Description
	CP	Polished Chrome
	SN	Vibrant® Polished Nickel
	BN	Vibrant® Brushed Nickel
	BL	Matte Black
	RGD	Vibrant Rose Gold



Technical Information

All product dimensions are nominal.

Material: Zinc, Brass

Notes

Install this product according to the installation instructions.

CAUTION: Risk of personal injury. Do not install these products in any area where they are likely to be used inadvertently as a grab bar or support bar. These products are not designed or intended for use as a grab bar or support bar.