



**Kingston™**  
Two-piece round-front 1.28 gpf toilet  
**K-25097-SSTR**

**Features**

- Ideal for commercial installations.
- Antimicrobial finish inhibits the growth of mold-, mildew-, stain-, and odor-causing bacteria on the fixture surface.
- Two-piece toilet.
- 1.28 gpf (4.8 lpf).
- Durable metal right-hand Polished Chrome trip lever included.
- 2-1/8" (54 mm) fully-glazed trapway.
- Tank locks included.
- Easy-to-service silicone seal.
- Sanitary guard where the bowl and tank meet for ease of cleaning.
- Encapsulated bolts to prevent rusting and corrosion.
- Combination consists of the K-25096-SS bowl and K-25100-TR tank.



**Technology**

- Single-flush gravity uses the force of gravity and a precision-engineered tank, bowl, and trapway to create a strong siphon during flushing.
- Class Five® flushing technology offers virtually plug-free performance and rinsing power for a clean bowl.
- Class Five® canister allows water to flow out of the tank from all sides (360 degrees), increasing the power and effectiveness of the flush.
- Flush valve's 3:2 ratio harnesses the natural force of gravity and optimizes flush performance.
- Durable canister design has 90% less exposed seal material than a 3" flapper for leak-free performance.

**Installation**

- Three-bolt quick-connect installation.
- Standard 12" (305 mm) rough-in.
- Seat and supply line sold separately.

**Recommended Products/Accessories**

- K-7637 Angle Supply with Stop (single)
- K-5420 Low-Profile Bolt Caps
- K-20111 Brevia™ Quiet-Close™ Round-Front Toilet Seat
- K-4660 Lustra™ Round-Front Toilet Seat
- K-23726 Drain treatment

**Included Components**

Product consists of:

- K-25096-SS round-front toilet bowl with antimicrobial finish
- K-25100-TR Toilet tank with cover locks, 1.28 gpf

Additional Components:

- Bolt cap accessory pack



**Codes/Standards**

- ASME A112.19.2/CSA B45.1
- DOE - Energy Policy Act 1992
- EPA WaterSense®
- California Energy Commission (CEC)

**KOHLER® Toilets and Seats Limited Warranty**

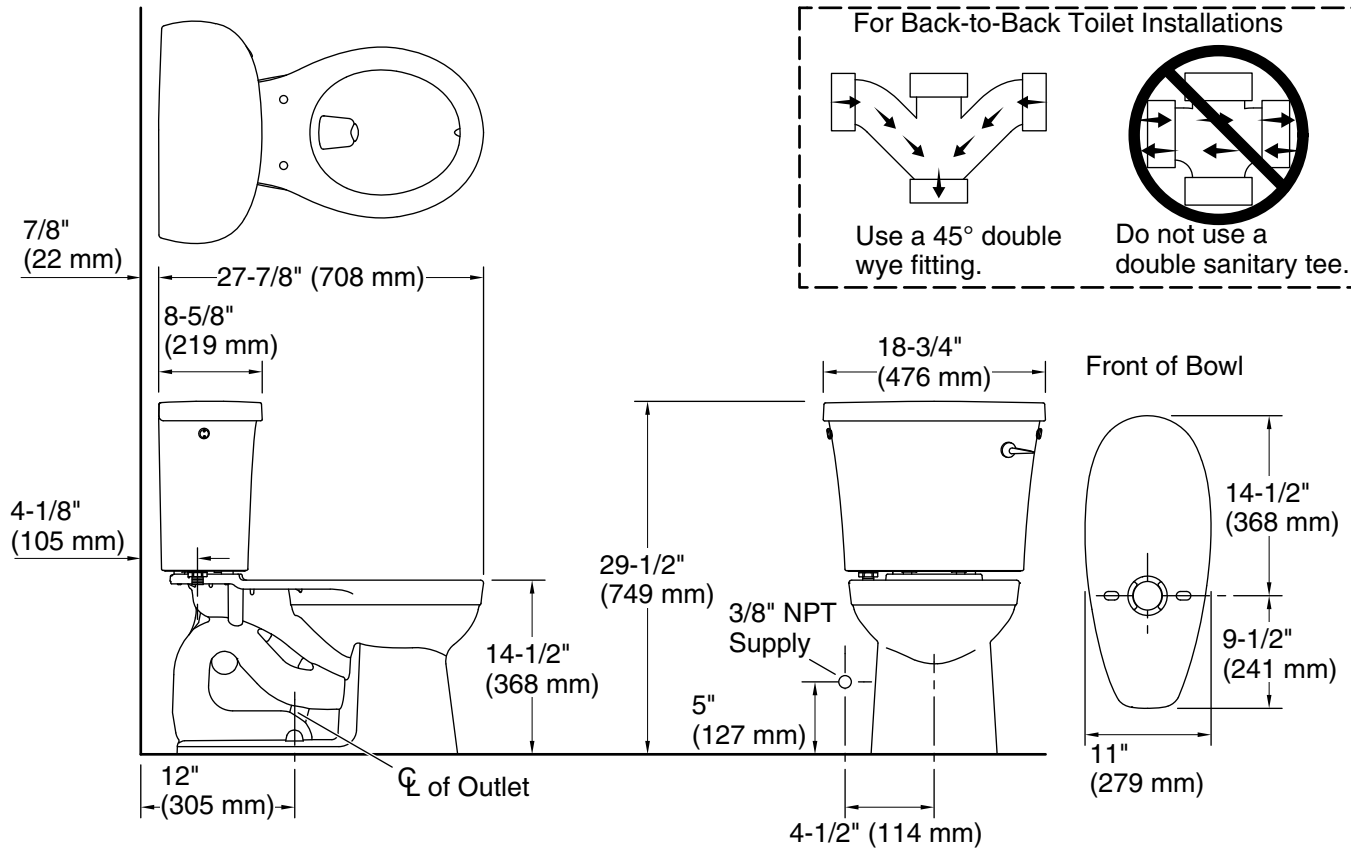
See website for detailed warranty information.

**Available Colors/Finishes**

*Color tiles intended for reference only.*

**Color Code Description**

	0	White
--	---	-------



## Technical Information

All product dimensions are nominal.

Toilet type:	Two-piece, Floor-mount
Waste Outlet:	Floor
Bowl shape:	Round-front
Flush type:	Gravity siphon jet
Trap passageway:	2-1/8" (54 mm)
Water Consumption	
Full:	1.28 gpf (4.8 lpf)
Water surface size:	10-3/8" x 7-1/16" (264 mm x 179 mm)
Rim to water surface:	5-5/8" (143 mm)
Rough-in:	12" (305 mm)

## Notes

Install this product according to the installation instructions.

For back-to-back toilet installations: Use only a 45° double wye fitting.