

Features

- Hybrid heater provides continuously heated water for consistent comfort.
- Stainless steel wand with automatic UV-light self-sanitization.
- Sleek, handheld remote control with two programmable user presets.
- LED lighting illuminates the bowl to serve as a nightlight.
- Heated seat with adjustable temperature settings.
- Front and rear wash modes provide warm water for cleansing.
- Adjustable water temperature and water pressure.
- Quiet-Close™ prevents slamming by slowly bringing the toilet seat and lid to a gentle close.
- Quick-Release™ system to allow for easy removal for cleaning.

Material

- Plastic.

Installation

- Requires connection to toilet water supply line. All hoses and connections are included.

Recommended Products/Accessories

- K-3814 Two-piece elongated 1.28 gpf toilet
- K-3814-RA two-piece elongated 1.28 gpf toilet
- K-5172 one-piece compact elongated 1.28 gpf toilet
- K-5172-RA one-piece compact elongated 1.28 gpf toilet
- K-3551 Two-piece elongated chair height toilet
- K-3619 one-piece elongated 1.28 gpf toilet
- K-3619-RA one-piece elongated 1.28 gpf toilet

Included Components

- Additional Components:
- Inlet water supply hose
 - Seat mounting bracket
 - T-fitting



Codes/Standards

- ASME A112.4.2/CSA B45.16
- UL 1431
- CSA C22.2 No. 64
- CSA C22.2 No. 68

KOHLER® Intelligent Toilet and C³® Cleansing Seat Three-Year Limited Warranty

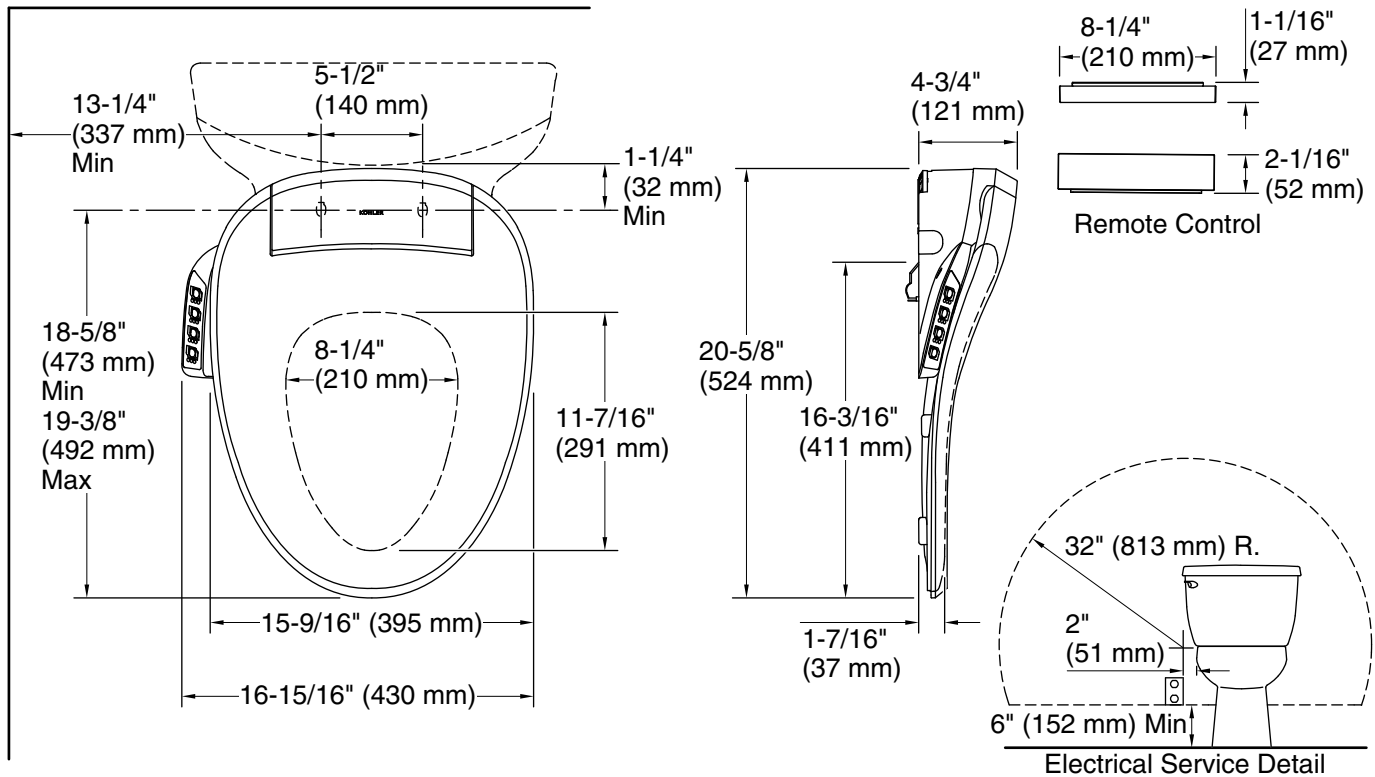
See website for detailed warranty information.

Available Colors/Finishes

Color tiles intended for reference only.

Color	Code	Description
-------	------	-------------

	0	White
--	---	-------



Required Electrical Service

One dedicated circuit required, protected with Class A Ground-Fault Circuit-Interrupter (GFCI). Outside North America, this device may be known as a Residual Current Device (RCD).

Bidet toilet seat: 120 V, 15 A, 60 Hz

Technical Information

All product dimensions are nominal.

Seat shape type: Elongated
 Seat front type: Closed-front
 Seat-mounting holes: 5-1/2" (140 mm)
 Electrical component rating: Bidet toilet seat: 120 V, 15 A, 60 Hz, 1800 W
 Power cord length: 43" (1092 mm)

Notes

Install this product according to the installation instructions.

Connect the seat to a cold water supply of drinking quality water at a pressure of 20 psi - 80 psi (139 kPa - 551 kPa).

Do not install this seat in a location where: (1) water might be splashed on the product or (2) excessive moisture, high humidity levels, or condensation is present. This will avoid damage to the electronic components.

CAUTION: Risk of property damage. A single extension cord may be used provided the cord "Type" begins with "SJ", 12 gauge, grounded (12/3), no longer than 25 feet, and plugged into a GFCI outlet. Promptly replace any extension cord that exhibits any sign of damage.

To avoid possible product malfunction, do not plug in the seat until instructed to do so.

Locate the receptacle at least 6" (152 mm) above the floor, and within a 32" (813 mm) radius measured 2" (51 mm) from the bowl ledge.