

### Features

- 605 silicone concave nozzles produce a full-coverage rain experience.
- 1.75 gpm (6.6 lpm) maximum flow rate.
- Deluge function delivers a downpour of water at the push of a button.
- Deluge™ function is actuated with Real Rain diverter valve (in manual showers) or can be actuated directly with the DTV+™ system.
- Center of the panel is designed as a rain-free zone to keep user's face dry and encourage easy breathing during regular use. Deluge™ function flows from center of the panel when actuated.

### Material

- 19" x 19" (483 x 483 mm) silicone panel provides wide coverage area with easy-to-clean nozzles.

### Installation

- Mounts flush to the surface of a drop ceiling.
- Easy-mount bracket and two-panel system improve the installation process.
- Z-bracket contains four leveling nuts to simplify installation.
- Real Rain overhead panel has ½" NPT male water supply inlet.
- If using DTV+™ system the user interface must be 99693-P-NA (99693-NA does not contain Real Rain software).
- If using DTV Prompt® system must include Real Rain diverter valve and trim (K-76746 and K-76748) to actuate Deluge™ function.

### Required Products/Accessories

K-31111 overhead panel trim  
K-76746 Diverter Valve  
K-76748 diverter valve trim

or

K-31111 overhead panel trim  
K-99693-P Digital interface  
K-99694 Interface Mounting Bracket  
K-99695 System Controller Module

### Recommended Products/Accessories

K-23723 Faucet cleaner



### Codes/Standards



ASME A112.18.1/CSA B125.1  
DOE - Energy Policy Act 1992  
EPA WaterSense®  
California Energy Commission (CEC)

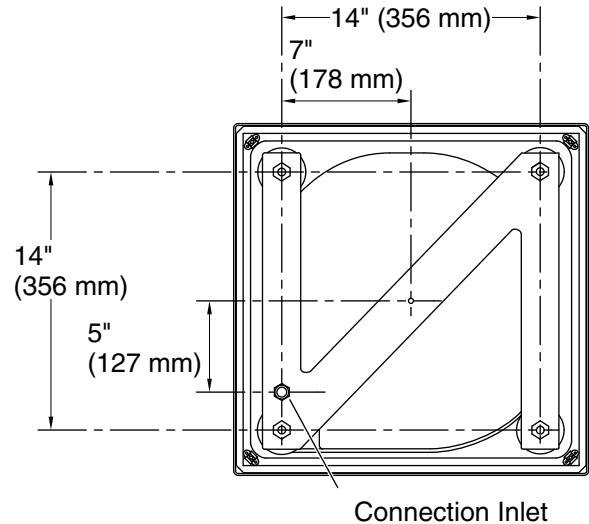
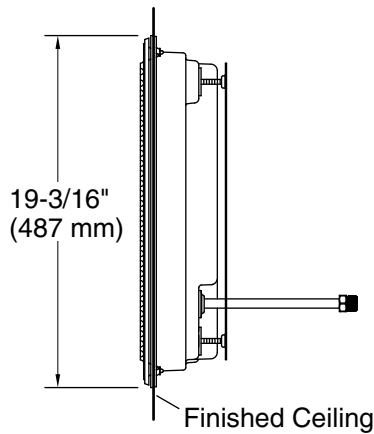
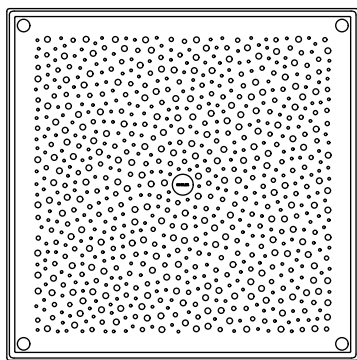
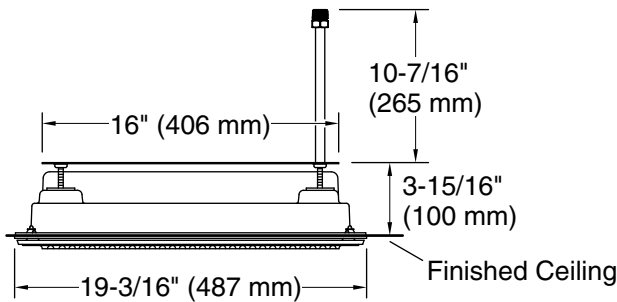
### KOHLER® Faucet Lifetime Limited Warranty

See website for detailed warranty information.

### Available Colors/Finishes

*Color tiles intended for reference only.*

Color	Code	Description
	0	White
	58	Thunder™ Grey



### Technical Information

All product dimensions are nominal.

Drain included: No

### Showerhead/Body Spray:

Rated maximum flow: 1.75 gal/min (6.6 l/min)

Pressure: 80 psi (5.5 bar)

### Notes

Install this product according to the installation instructions.

For use with automatic compensating valves rated at 1.5 gal/min [5.7 l/min] or less.