



# Wellworth® Classic

Pressure Lite® Toilet  
K-3505-RA

## Features

- Vitreous china.
- Elongated bowl.
- Equipped with Sloan FLUSHMATE® – Sloan® Valve Company.
- Polished chrome trip lever.
- Less seat and supply.
- 12" (305 mm) rough-in.
- 1.6 gpf (6.0 lpf).
- 12" (305 mm) x 10" (254 mm) water area.
- 30-1/2" (775 mm) x 21-1/4" (540 mm) x 29-3/4" (756 mm).

## Recommended Products/Accessories

- K-4636 Cachet® Quiet-Close™ Elongated Toilet Seat
- K-5588 Purefresh® Elongated Toilet Seat
- K-4108 C³®-230 elongated cleansing toilet seat
- K-5420 Low-Profile Bolt Caps

## Included Components

Product consists of:

- K-4303 Toilet Bowl
- K-4645-RA Toilet tank, 1.6 gpf

Additional Components:

- Bolt cap accessory pack
- Equipped with Sloan FLUSHMATE® – Sloan® Valve Company
- Tank accessory pack
- Tank cover
- Trip lever



## Codes/Standards




- ASME A112.19.2/CSA B45.1
- DOE - Energy Policy Act 1992

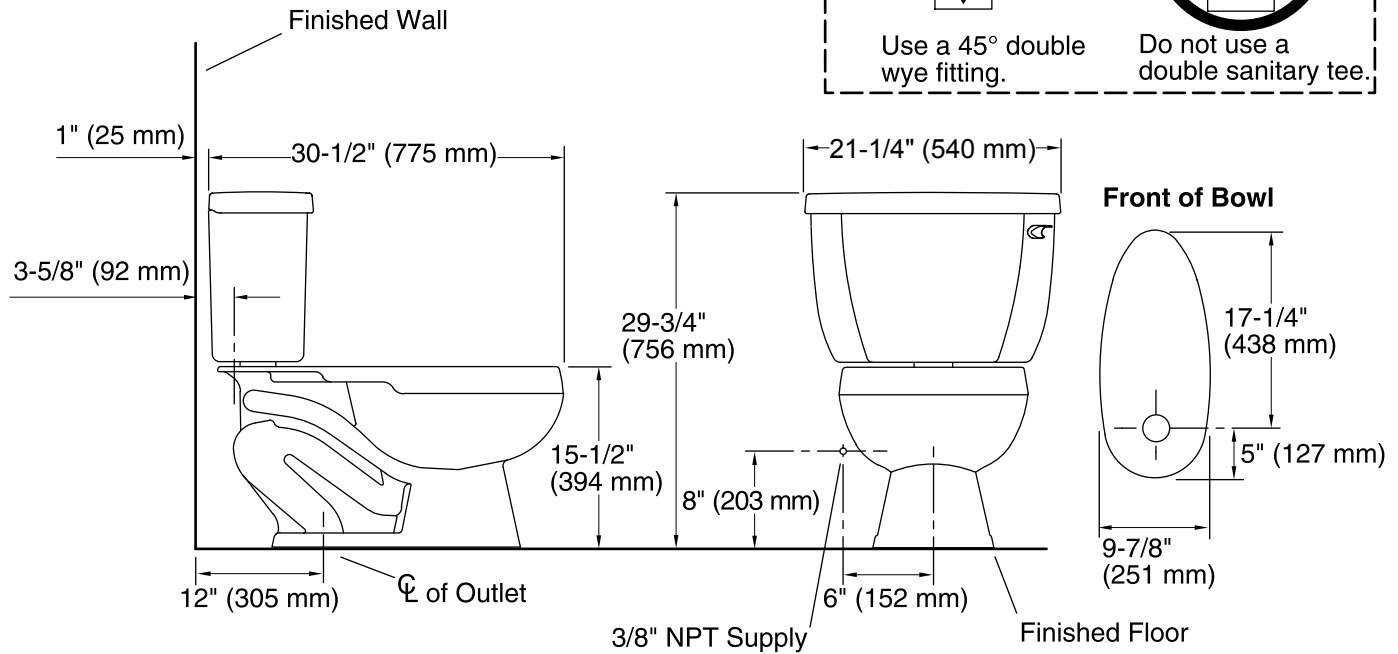
## KOHLER® One-Year Limited Warranty

See website for detailed warranty information.

## Available Colors/Finishes

*Color tiles intended for reference only.*

Color	Code	Description
	0	White
	96	Biscuit
	47	Almond



### Technical Information

All product dimensions are nominal.

Toilet type:	Two-piece, Floor-mount
Waste Outlet:	Floor
Bowl shape:	Elongated
Flush type:	Pressure Lite®
Trap passageway:	2-1/4" (57 mm)
Water surface size:	12" x 10" (305 mm x 254 mm)
Rim to water surface:	5-5/8" (143 mm)
Rough-in:	12" (305 mm)
Seat-mounting holes:	5-1/2" (140 mm)

### Fixture Supply Requirements

Min static pressure:	20 psi (137.9 kPa)
Max static pressure:	80 psi (551.6 kPa)

### Notes

Install this product according to the installation instructions.

For back-to-back toilet installations: Use only a 45° double wye fitting.