



Barrington™ Comfort Height®

Two-piece elongated chair height toilet w/locks
K-3578-T

Features

- Vitreous china.
- Elongated bowl.
- Comfort Height®.
- Equipped with Sloan FLUSHMATE®– Sloan® Valve Company.
- Polished chrome trip lever.
- Tank cover locks
- Rear outlet.
- Less seat and supply.
- 4" (102 mm) rough-in.
- 1.0 gpf (3.8 lpf).
- 12" (305 mm) x 10" (254 mm) water area.
- 31" (787 mm) x 21-1/4" (540 mm) x 31-1/4" (794 mm).

Recommended Products/Accessories

- K-4652 Lustra™ Quick-Release™ Elongated Toilet Seat
- K-4652-A Lustra™ Quick-Release™ Elongated Toilet Seat
- K-7637 Angle Supply with Stop (single)
- K-4636 Cachet® Quiet-Close™ Elongated Toilet Seat
- K-5588 Purefresh® Elongated Toilet Seat
- K-4108 C³®-230 elongated cleansing toilet seat
- K-5420 Low-Profile Bolt Caps

Included Components

Product consists of:

- K-4305 Elongated chair height toilet bowl
- K-4484-T Toilet tank with cover locks, 1.0 gpf

Additional Components:

- Bolt cap accessory pack
- Floor screws and bolt caps
- Tank accessory pack
- Tank cover
- Trip lever



ADA CSA B651 OBC

Codes/Standards





- ASME A112.19.2/CSA B45.1
- DOE - Energy Policy Act 1992
- EPA WaterSense®
- ADA
- ICC/ANSI A117.1
- CSA B651
- OBC

KOHLER® One-Year Limited Warranty

See website for detailed warranty information.

Available Colors/Finishes

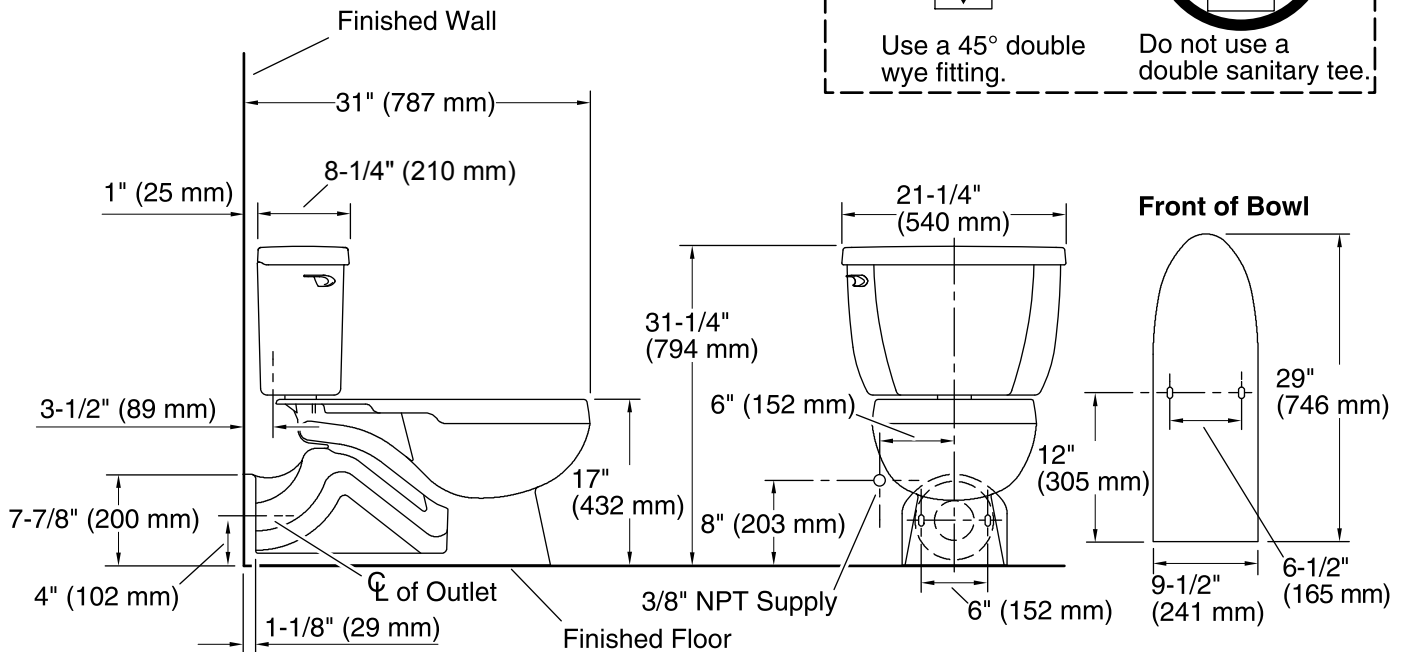
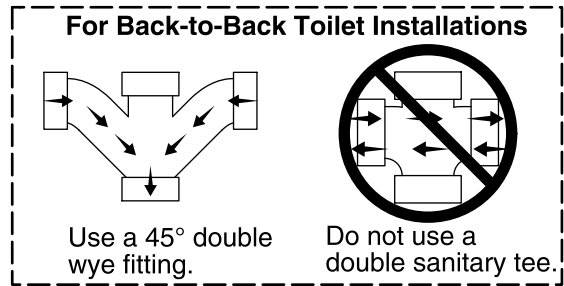
Color tiles intended for reference only.

Color	Code	Description
	0	White
	96	Biscuit
	47	Almond
	7	Black Black™



Barrington™ Comfort Height®

Two-piece elongated chair height toilet w/locks
K-3578-T



Technical Information

All product dimensions are nominal.

- Toilet type: Two-piece, Floor-mount
- Waste Outlet: Wall
- Bowl shape: Elongated
- Flush type: Pressure Assisted
- Trap passageway: 2-1/8" (54 mm)
- Water Consumption
 - Full: 1 gpf (3.8 lpf)
- Water surface size: 12" x 10" (305 mm x 254 mm)
- Rim to water surface: 5-7/8" (149 mm)
- Rough-in: 4" (102 mm)
- Seat-mounting holes: 5-1/2" (140 mm)

Fixture Supply Requirements

- Min static pressure: 35 psi (241.3 kPa)
- Max static pressure: 80 psi (551.6 kPa)

Notes

- Install this product according to the installation instructions.
- For back-to-back toilet installations: Use only a 45° double wye fitting.
- ADA, OBC, CSA B651 compliant when installed to the specific requirements of these regulations.
- Plumbing codes may require elongated toilets and elongated, open-front seats in public bathrooms.
- Accessibility standards may require controls to be located on the open side of the toilet.