



# Kathryn® Comfort Height®

## One-piece compact elongated chair height toilet

### K-3940-RA

#### Features

- One-piece toilets integrate the tank and bowl into a seamless, easy-to-clean design.
- Compact elongated bowl offers added room and comfort.
- Comfort Height® feature offers chair-height seating that makes sitting down and standing up easier for most adults.
- 1.28 gallons per flush (gpf).
- Concealed trapway and Clean Caps® facilitate easier cleaning and enhanced design.
- Right-hand Polished Chrome trip lever included.
- Glenbury™ Quiet-Close™ seat with Quick-Release™ functionality allows seat to close quietly and quickly unlatch from the toilet for easy removal and convenient cleaning.
- Coordinates with other products in the Kathryn collection.

#### Technology

- Single-flush gravity uses the force of gravity and a precision-engineered tank, bowl, and trapway to create a strong siphon during flushing.
- AquaPiston canister allows water to flow into the bowl from all sides (360 degrees), increasing the power and effectiveness of the flush.
- Flush valve's 3:2 ratio harnesses the natural force of gravity and optimizes flush performance.
- Durable canister design has 90% less exposed seal material than a 3-inch flapper, for leak-free performance.
- Light-touch canister flush requires a lower actuation force than a flapper.

#### Installation

- Standard 12-inch rough-in.
- Supply line not included.

#### Water Conservation & Rebates

- WaterSense® toilets meet strict EPA flushing guidelines, including using at least 20 percent less water than 1.6-gallon toilets.
- Eligible for consumer rebates in some municipalities.

#### Recommended Products/Accessories

K-75796 Cachet® Nightlight Quiet-Close™ Elongated Toilet Seat  
 K-4108 C³®-230 elongated cleansing toilet seat  
 K-9131-R Trip Lever  
 1023457 Wax Ring/Hardware Kit  
 1265114 Connector Hose



**ADA** **CSA B651** **OBC**

#### Codes/Standards



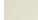
ASME A112.19.2/CSA B45.1  
 DOE - Energy Policy Act 1992  
 EPA WaterSense®  
 California Energy Commission (CEC)  
 ADA  
 ICC/ANSI A117.1  
 CSA B651  
 OBC

#### KOHLER® One-Year Limited Warranty

See website for detailed warranty information.

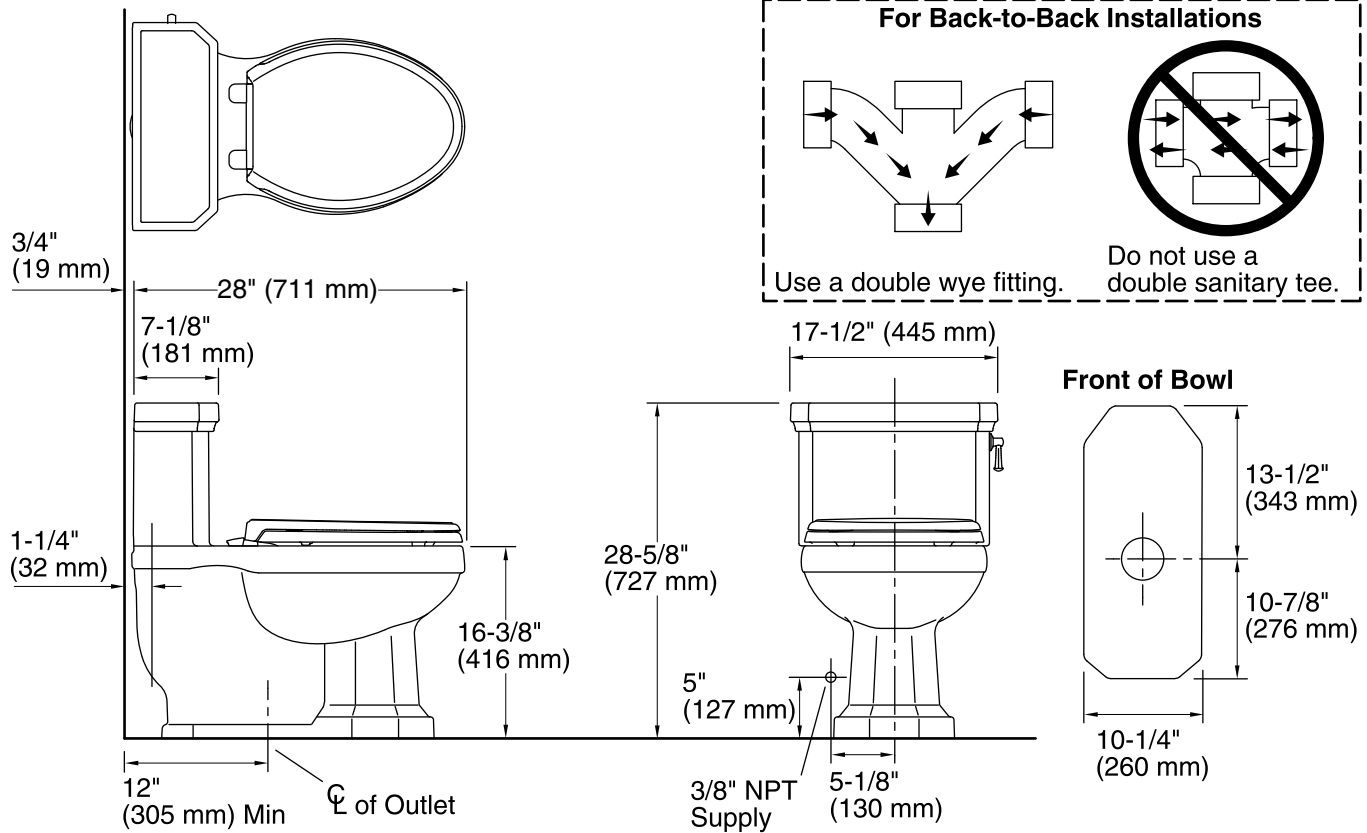
#### Available Colors/Finishes

*Color tiles intended for reference only.*

| Color                                                                                | Code | Description |
|--------------------------------------------------------------------------------------|------|-------------|
|  | 0    | White       |
|  | 96   | Biscuit     |
|  | 47   | Almond      |

# KOHLER®

## Kathryn® Comfort Height® One-piece compact elongated chair height toilet K-3940-RA



### Technical Information

All product dimensions are nominal.

|                       |                                    |
|-----------------------|------------------------------------|
| Toilet type:          | One-piece                          |
| Bowl shape:           | Elongated                          |
| Trap passageway:      | 2-1/8" (54 mm)                     |
| Water Consumption     |                                    |
| Full:                 | 1.28 gpf (4.8 lpf)                 |
| Water surface size:   | 10-1/2" x 7-1/2" (267 mm x 191 mm) |
| Rim to water surface: | 5-5/8" (143 mm)                    |
| Rough-in:             | 12" (305 mm)                       |
| Seat-mounting holes:  | 5-1/2" (140 mm)                    |

### Notes

Install this product according to the installation instructions.

For back-to-back toilet installations: Use only a 45° double wye fitting.

ADA, OBC, CSA B651 compliant when installed to the specific requirements of these regulations.

Plumbing codes may require elongated toilets and elongated, open-front seats in public bathrooms.

Accessibility standards may require controls to be located on the open side of the toilet.

1-800-4KOHLER (1-800-456-4537)

Kohler Co. reserves the right to make revisions without notice to product specifications.

For the most current Specification Sheet, go to [www.kohler.com](http://www.kohler.com).

10-9-2019 06:10 - US/CA

THE BOLD LOOK  
OF **KOHLER**®