

Features

- Precision-engineered to meet the challenging demands of today's commercial bathrooms
- 27-1/2" x 14-1/2" x 15"
- 1-1/2" top spud
- Elongated bowl
- Includes integral seat, angle back and wall outlet

Installation

- 4-1/2" rough-in
- Designed for use in prisons and mental healthcare facilities. Not anti-ligature.

Recommended Products/Accessories

- K-10674 Wave DC 1.6 GPF WC Flushometer
- K-10957 Tripoint™ DC 1.6 GPF WC Flushometer
- K-13516 Manual 1.6 GPF WC Flushometer

Included Components

- Additional Components:
- Bolt cap accessory pack
 - Floor Screws (pair)
 - Spud



Codes/Standards

ASME A112.19.2/CSA B45.1

KOHLER® One-Year Limited Warranty

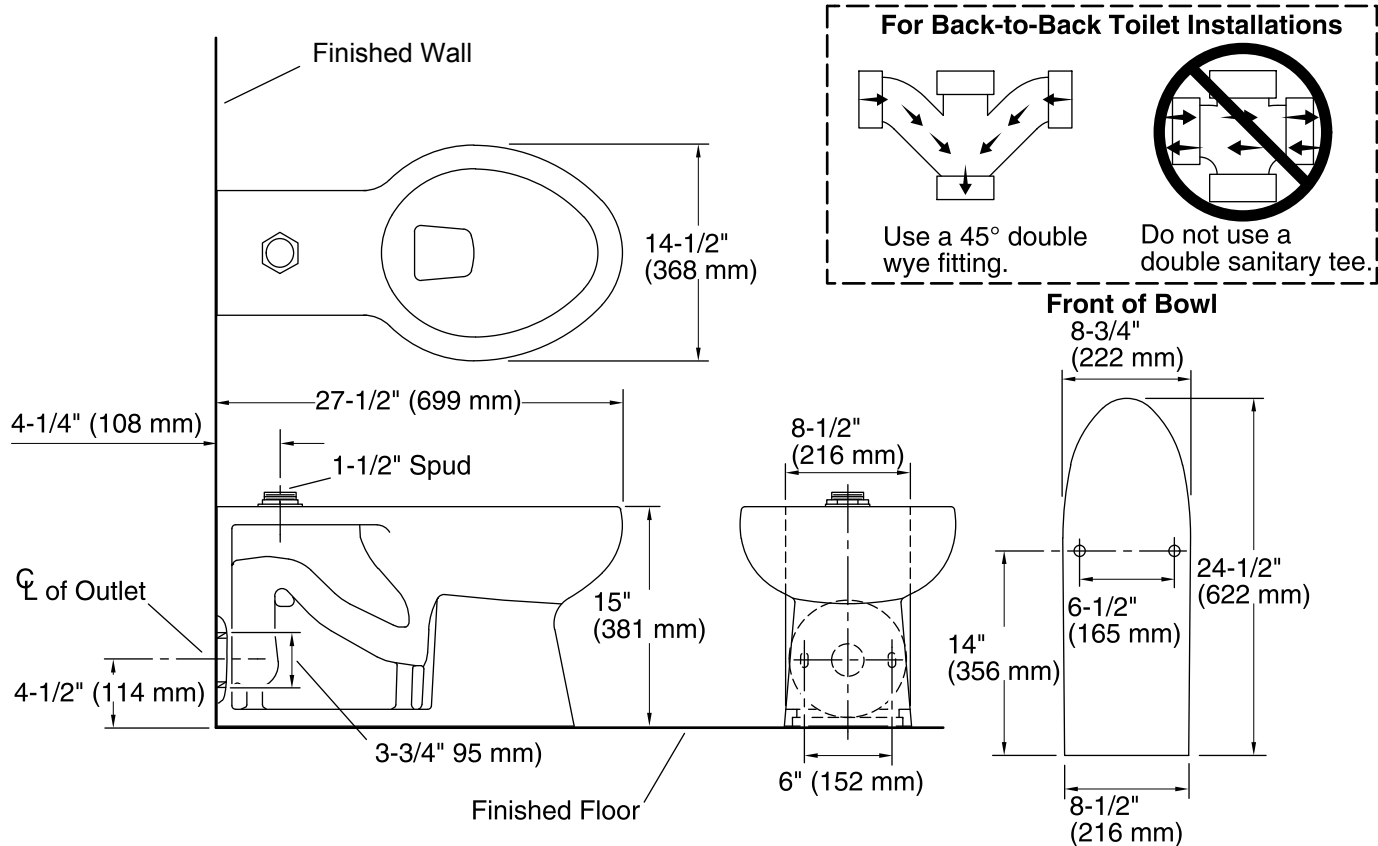
See website for detailed warranty information.

Available Colors/Finishes

Color tiles intended for reference only.

Color	Code	Description
-------	------	-------------

	0	White
--------------------------------------------------------------------------------------	---	-------



Technical Information

All product dimensions are nominal.

- Toilet type: One-piece, Floor-mount
- Bowl shape: Elongated
- Spud size: 1-1/2", Top
- Trap passageway: 2-3/8" (60 mm)
- Water surface size: 11" x 9-1/2" (279 mm x 241 mm)
- Rim to water surface: 5-1/4" (133 mm)
- Rough-in: 4-1/2" (114 mm)
- Seat-mounting holes: 5-1/2" (140 mm)

Fixture Supply Requirements

- Min static pressure: 35 psi (241.3 kPa)
- Max static pressure: 80 psi (551.6 kPa)
- Min flowing pressure: 25 psi (172.4 kPa)
- Min flow rate: 25 gpm (94.6 lpm)

Notes

Install this product according to the installation instructions.