



# Memoirs® Stately

Toilet Tissue Holder  
K-490

## Features

- Solid-brass construction for durability.
- KOHLER finishes resist corrosion and tarnish.
- Coordinates with other products in the Memoirs Collection.

## Installation

- Installation hardware included.

## Included Components

Additional Components:

- Tools
- installation template



## Codes/Standards

None Applicable

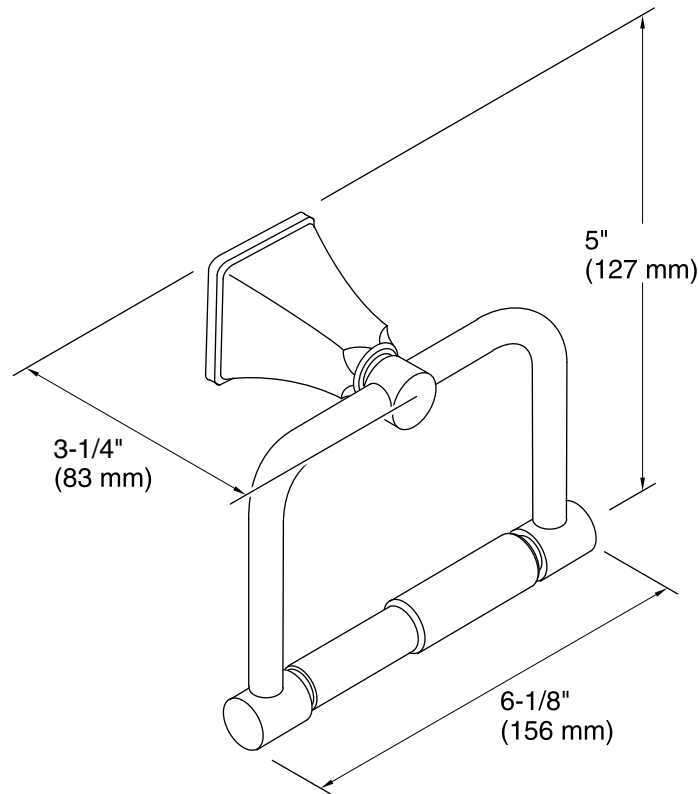
## KOHLER® Faucet Lifetime Limited Warranty

See website for detailed warranty information.

## Available Colors/Finishes

*Color tiles intended for reference only.*

Color	Code	Description
	CP	Polished Chrome
	AF	Vibrant® French Gold
	PB	Vibrant® Polished Brass
	G	Brushed Chrome
	RN	Vibrant® Hammered Nickel
	BN	Vibrant® Brushed Nickel
	BV	Vibrant® Brushed Bronze
	2BZ	Oil-Rubbed Bronze



### Technical Information

All product dimensions are nominal.

Material: Brass, Zinc

### Notes

Install this product according to the installation guide.