

Features

- Siphon jet urinal.
- 3/4" top spud.
- 3/4" top spud.
- Includes inlet and outlet spuds and hangers.
- Includes anti-backsplash wall.

Material

- Vitreous china.

Technology

- Antimicrobial finish inhibits the growth of mold, mildew, stain and odor causing bacteria on the fixture surface.

Installation

- 14-1/2"(368 mm) extended rim.

Water Conservation & Rebates

- 0.5 or 1.0 gpf (1.9 or 3.8 lpf) based on valve selected.

Recommended Products/Accessories

- K-10675 WAVE DC 0.5 GPF Urinal Flushometer
- K-10958 Tripoint™ DC 0.5 GPF Urinal Flushometer
- K-10961 Tripoint™ DC 1.0 GPF Flushometer
- K-13521 Manual 1.0 GPF Urinal Flushometer

Included Components

Additional Components:

- 2" outlet spud
- 3/4" inlet spud
- Hanger(s)



ADA

Codes/Standards

ASME A112.19.2/CSA B45.1
DOE - Energy Policy Act 1992
EPA WaterSense®
California Energy Commission (CEC)
ADA
ICC/ANSI A117.1


KOHLER® One-Year Limited Warranty

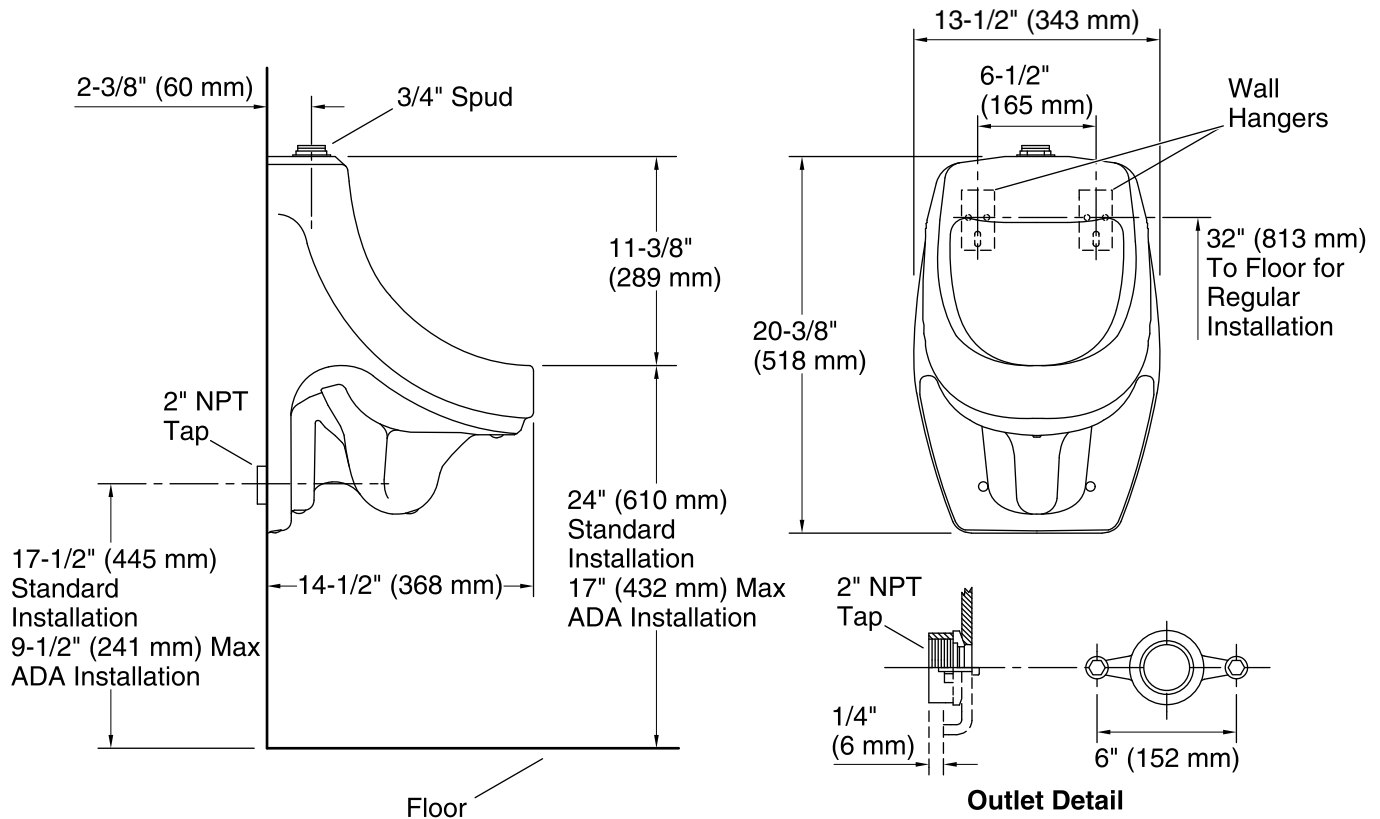
See website for detailed warranty information.

Available Colors/Finishes

Color tiles intended for reference only.

Color	Code	Description
-------	------	-------------

	0	White
--	---	-------



Technical Information

All product dimensions are nominal.

Flush outlet technology: Siphon jet
Spud size: 3/4", Inlet, Top
Max. Water per Flush: 0.5 gal (1.9 L)

Notes

Install this product according to the installation instructions.

Refer to manufacturer's instructions and local codes for flushometer requirements.

Recommended ADA outlet spud height will account for normal product variation.

For ADA compliance, measurement must be 17" (432 mm) or less from the floor to the top of the lip.

ADA compliant when installed to the specific requirements of these regulations.