

Features

- Digitally controlled.
- High-temperature limit setting for added safety.
- One touch control of two valve outlets.
- Low profile design.
- Selectable water-saving functionality.
- Selectable Fahrenheit or Celsius.
- Selectable outlet delivery.
- Easy-to-read LCD display and raised one-touch buttons.
- Use for single- or dual-outlet applications, including bath/shower, shower only or bath only experiences.
- Integrated diverter with touch-button, operation toggles between water outlets running them separately or simultaneously.
- Allows user to add a second interface for user convenience and flexibility.
- Warm-up mode pauses the shower flow when the water is brought up to the preferred temperature, and then notifies you that the shower is ready to enter, thus conserving water.
- Pause feature allows you to temporarily pause the water flow for up to two minutes.
- Countdown mode allows you to set the duration of the shower to easily manage both time and water use.

Installation

- Mounts on finished wall surface.

Required Products/Accessories

K-528-PM two-port digital thermostatic valve

Included Components

Additional Components:

20' (6.1 m) cable



Codes/Standards

UL 1951

CSA C22.2 No. 14




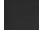
CSA C22.2 No. 68

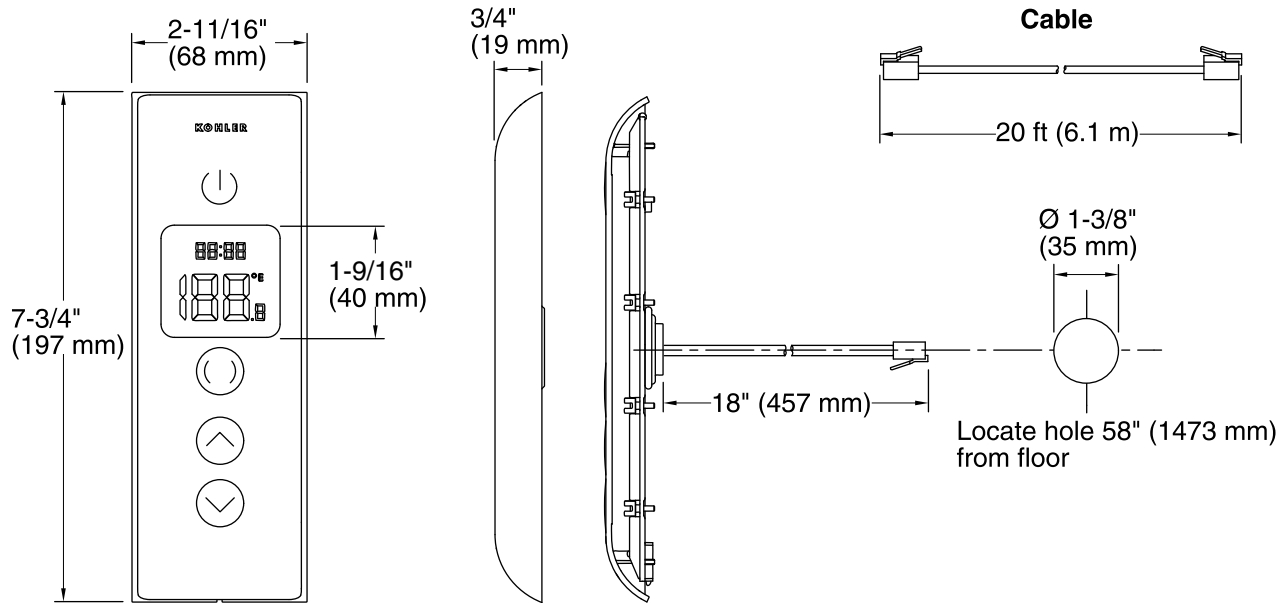
KOHLER® Electronic Faucets, Valves, and Controls Five-Year Limited Warranty

See website for detailed warranty information.

Available Colors/Finishes

Color tiles intended for reference only.

Color	Code	Description
	1CP	Satin Chrome with Polished Chrome
	1SN	Satin Nickel with Polished Nickel
	0	White
	7	Black Black™



Technical Information

All product dimensions are nominal.

Notes

Install this product in accordance with the installation instructions.

Recommended installation height 58" (1473 mm) from floor to center of interface.