

Features

- Back drilled on 8" centers
- Constructed KOHLER® Cast Iron
- Includes rim guard for added durability
- KOHLER finishes resist corrosion and tarnishing, exceeding industry durability standards two times
- The bottom of the sink is an unpainted, ground-coat surface.

Recommended Products/Accessories

K-6672
K-6673 Adjustable Trap
K-8905 Service Sink Faucet
K-8907 Service Sink Faucet
K-9142 Service Sink Strainer
K-9146 Service Sink Strainer
K-9147 Service Sink Strainer

Included Components

Additional Components:
Hanger(s)
stainless steel rim guard



Codes/Standards

ASME A112.19.1/CSA B45.2


KOHLER® Enameled Cast Iron Kitchen Sink Lifetime Limited Warranty

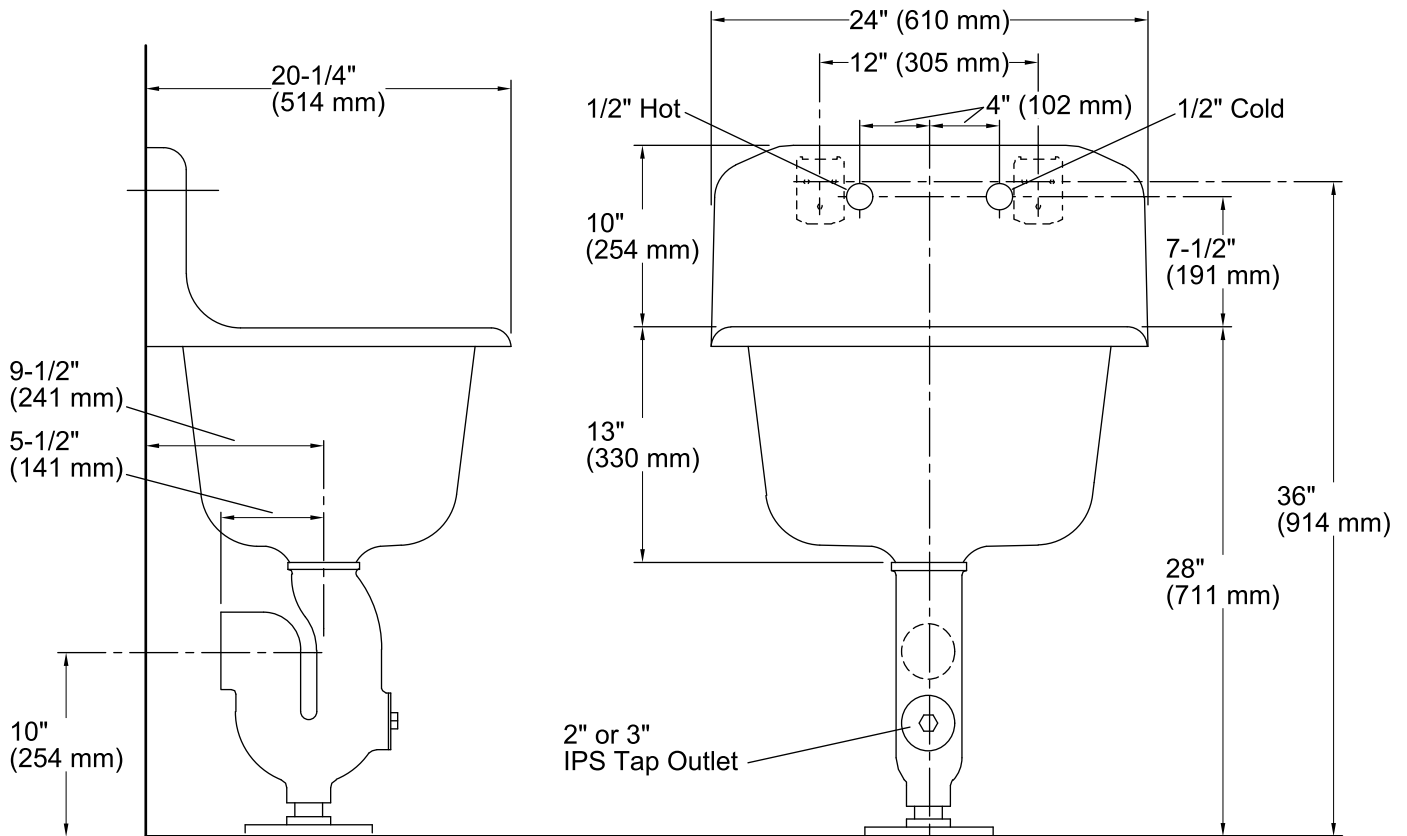
See website for detailed warranty information.

Available Colors/Finishes

Color tiles intended for reference only.

Color	Code	Description
-------	------	-------------

	0	White
--------------------------------------------------------------------------------------	---	-------



Technical Information

All product dimensions are nominal.

Bowl configuration:	Single
Installation:	Top-mount
Bowl area:	Length: 20" (508 mm) Width: 16" (406 mm) Water depth: 12" (305 mm)
Number of deck holes:	2
Faucet hole spacing:	8" (203 mm)
Faucet hole(s):	1-1/2" (38 mm)
Drain hole:	3-1/8" (80 mm)

Notes

Install this product according to the installation instructions.